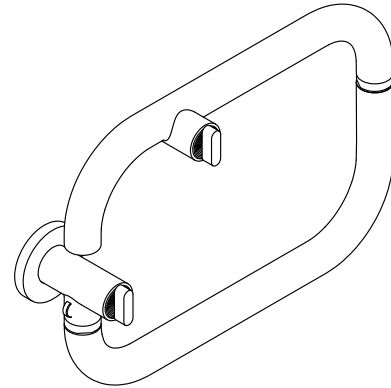


### Features

- Articulating spout with 360° rotation offers superior clearance for filling pots on cooktops and ranges
- Single knob handle with main knob handle shutoff
- 3.2 gpm (12.1 lpm) flow rate at 60 psi (4.14 bar)
- KOHLER® ceramic disc valves exceed industry longevity standards for a lifetime of durable performance
- Coordinates with other products in the Components collection

### Material

- Premium metal construction for durability and reliability
- KOHLER finishes resist corrosion and tarnishing



### Codes/Standards





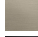





ASME A112.18.1/CSA B125.1  
NSF/ANSI/CAN 61  
NSF/ANSI/CAN 372

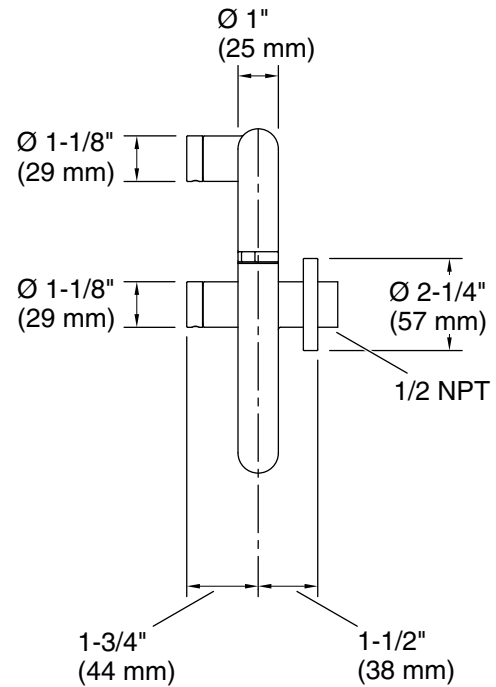
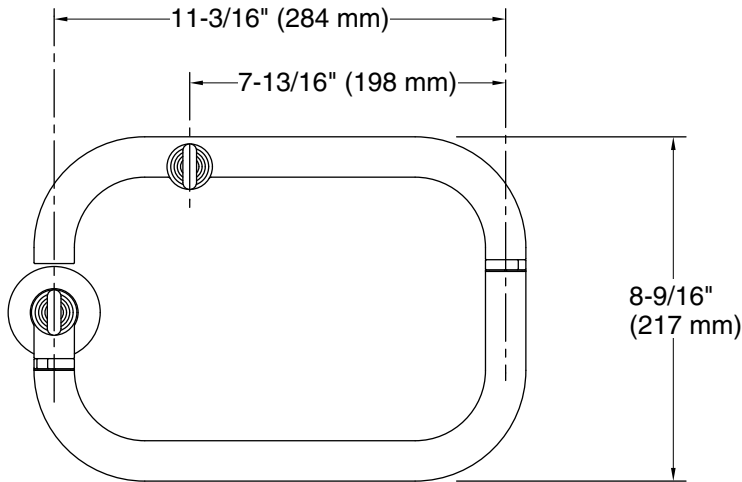
### KOHLER® Faucet Lifetime Limited Warranty

See website for detailed warranty information.

### Available Colors/Finishes

*Color tiles intended for reference only.*

Color	Code	Description
	CP	Polished Chrome
	SN	Vibrant® Polished Nickel
	AF	Vibrant® French Gold
	VS	Vibrant® Stainless
	BV	Vibrant® Brushed Bronze
	BL	Matte Black
	2MB	Vibrant® Brushed Moderne Brass
	BMB	Matte Black with Moderne Brass
	TT	Vibrant Titanium
	BGP	Vibrant Brushed Graphite



### Technical Information

All product dimensions are nominal.

Faucet flow rate: 3.2 gal/min (12.1 l/min)

### Spout:

Spout reach: 11-3/16" (284 mm)

### Notes

Install this product according to the installation instructions.