

OD-0097-00A

Panama Outdoor Wooden Swing Set

Aqua and Natural

E-1125



⚠ WARNING

To reduce the risk of serious injury or death, please read and follow these instructions. Keep and refer to instructions as needed and pass along to any future owners of this item.



www.teamson.com

1280 Lakes Parkway Suite 200 Lawrenceville GA 30043 | (770) 246-4898

Please Read this Before Assembly

- **Review the Manual:** Read the entire manual, especially the safety instructions, before starting.
- **Prepare the Area:** Ensure the installation area is level and suggest providing a 6-foot safety zone on all sides.
- **Inventory All Parts:** Lay out and check all parts, including small pieces that may be hidden in packaging.
- **Warranty Notice:** This playset is for private residential use only. Public use, such as in daycares or parks, will void the warranty.
- **Assembly Process:** Work with another person and leave bolts loose until the frame is fully squared.
- **Keep Safety in Mind:** Always prioritize safety during assembly and use, following the manual's guidelines.
- **Save the Manual:** Retain for future reference and maintenance.



MISSING A PART ?
CONTACT US INSTEAD OF
RETURNING TO THE STORE

✉ **support@teamson.com**
+1(770) 246-4898 | www.teamson.com



Please have the following information **model number** **batch number** **ID Plaque number** **part number** ready when you make your call:

T-OD-0069-00G

model number

**Outdoor Explorer
Charles Plus Playset**

E-1224

*Model Number located on the front of the assembly manual



batch number

123456789A

Wood Parts

number on the wood **part number** quantity
0010 (3290010) -- x2
1 1/4" x 2 1/2" x 88" (32 x 64 x 2235mm)
part size

Hardware

part number **part name**
S37 ----- **x20**
#7 x 5/8" (#7 x 16mm)
part size



**Swing Set
ID Plaque number**

T1234567890



**Playhouse
ID Plaque number**

T1234567890

⚠ Warnings and Safe Play Instructions

Continuous Adult Supervision Required

This remains appropriately placed first as adult supervision is the foundation of playground safety. No further adjustments needed.

Your Child's Safety is Our Top Priority

This effectively reinforces the importance of reviewing safety rules, and the wording is clear and concise.

Choking Hazard/Sharp Edges & Points

Adult assembly required. This product contains small parts and parts with sharp edges and points. Keep parts away from children until fully assembled.

Serious Head Injury Hazard

The placement after safety concerns is logical, and it leads directly into installation risks. The wording emphasizes the critical nature of installing proper shock-absorbing materials.

Collision Hazard

This naturally follows the head injury risk by warning about environmental hazards. The current placement and phrasing are effective.

Choking Hazard/Sharp Edges

This naturally follows the head injury risk by warning about environmental hazards. The current placement and phrasing are effective.

Choking Hazard/Sharp Edges

Highlighting these risks during assembly is appropriate, as it reminds users to stay vigilant before the playset is fully constructed. The phrasing is clear.

Tip-Over Hazard

Anchors shall be placed level with or under the ground in order to reduce tipping hazards.

Warning Label Maintenance

This is correctly placed after the more immediate risks. Reminding users of their responsibility to maintain legible safety labels is key to ensuring long-term safety.

Regular Inspection and Maintenance

The recommendation to inspect regularly aligns well after the playset is in use. This ties into the general theme of ongoing vigilance for safety.

Anchoring and Stability

Anchoring is crucial for preventing tip-overs, so reiterating its importance after regular inspection strengthens the focus on structural stability. The flow here is smooth.

Weather Considerations

The weather-related risks are well-placed after anchoring and stability. Seasonal considerations make sense following the structural checks.

Surface and Clearance

Ending with this reinforces earlier safety points, particularly about head injuries. By revisiting the importance of ground clearance and protective surfacing, you ensure the reader is reminded of the foundational safety considerations.

Clothing and Footwear Safety

Children must wear secure shoes and avoid loose clothing, such as ponchos, scarves, or items with drawstrings. Sandals, flip-flops, and clogs are not allowed.

Strangulation Hazard

Children must not play with or attach ropes, clotheslines, pet leashes, cables, chains, or similar items to the playset. Use only equipment specifically designed for the playset to avoid strangulation risks.

Helmet Safety

Children must remove bike or sports helmets before using the playset to prevent potential safety hazards.

Never add extra length to chain or rope. The chains or ropes provided are the maximum length designed for the swinging element(s).

✓ DO

- Follow capacity limits as specified for the playset to avoid overloading and structural damage
- Ensure children wear closed-toe, well-fitting shoes for better protection while playing
- Teach children to sit in the center of swing seats and hold both sides of the chain to prevent falls
- Inspect the playset regularly for cracks, splinters, or loose hardware. Repair or replace as needed
- Ensure ropes, chains, and cables are securely fastened at both ends, preventing entanglement hazards
- Check plastic slides or surfaces for high temperatures on hot days and cool them if necessary to prevent burns
- Position slides to minimize sun exposure, reducing the risk of overheating

✗ DO NOT

- Do not allow children to wear open-toe or heel shoes such as sandals or flip-flops
- Do not allow children to walk in front of, behind, or near moving swings or rides
- Do not let children twist swing chains or ropes, as this weakens the materials and increases the risk of failure
- Do not allow children to get off swings while they are in motion
- Do not permit play on wet equipment as it increases the risk of slipping
- Do not allow rough play or unsafe actions like jumping from swings, climbing roofs, or misusing equipment
- Do not allow empty seats to swing freely, which can create hazards for others
- Do not allow children to go down slides headfirst or run up slides

Playground Surfacing Materials

THE FOLLOWING SAFETY GUIDELINES ARE BASED ON SECTION 4 OF THE CONSUMER PRODUCT SAFETY COMMISSION'S OUTDOOR HOME PLAYGROUND SAFETY HANDBOOK TO ENSURE COMPLIANCE AND REDUCE THE RISK OF SERIOUS INJURY.

Select Protective Surfacing

- One of the most critical steps in reducing the risk of serious head injuries is installing shock-absorbing surfacing under and around your playground equipment. The protective surface should meet **ASTM F1292** standards and be installed according to equipment height.
- **Do not** install playground equipment over concrete, asphalt, or other hard surfaces, as a fall can cause serious injury. Grass and dirt are not considered adequate protective surfaces because their shock absorption degrades over time.

Loose-Fill Materials

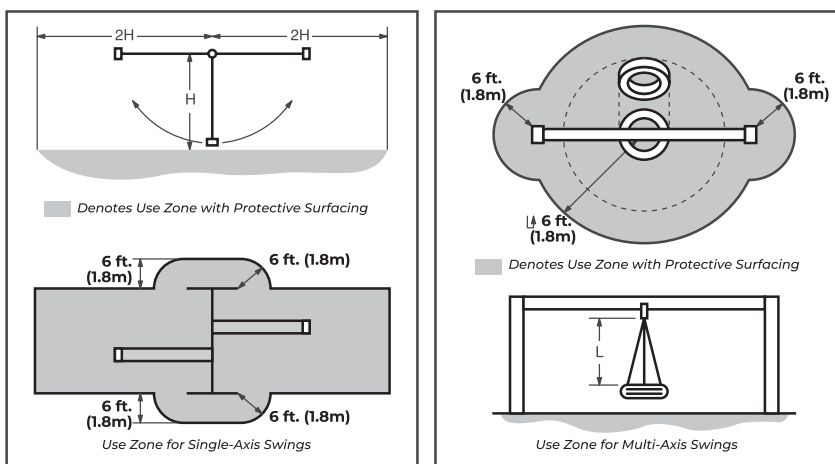
- Maintain at least **9 inches of wood mulch, engineered wood fiber (EWF), or shredded rubber** for equipment up to 8 feet high, or **9 inches of sand or pea gravel** for equipment up to 5 feet high. Begin with a fill level of 12 inches to allow for compression over time.
- For equipment less than 4 feet high, use a minimum of **6 inches of loose-fill** materials, but never less, as this can lead to compaction or displacement of the material.
- Containment methods like edging or digging out around the perimeter will help keep materials in place and manage water drainage. Regularly check and maintain the surface depth to ensure continuous safety.

Poured-In-Place Surfaces and Rubber Tiles

- For a professional-grade option, you may consider **poured-in-place rubber or rubber tiles**. These surfaces must be installed by professionals and must meet the **ASTM F1292** safety standard. Be sure to check the manufacturer's reports to verify the surface protects against falls from your equipment's height.
- Regularly inspect the surfacing for wear and tear to ensure ongoing protection.

Proper Placement

- Ensure that protective surfacing extends at least **6 feet in all directions** from the equipment.
- For swings, the surfacing should extend to a distance **twice the height of the swing's top bar**, both in front and behind the swings. For **tire swings**, the surfacing should form a circle with a radius equal to the swing's height, plus 6 feet, in all directions.



These safety guidelines are based on Section 4 of the Consumer Product Safety Commission's (CPSC) Outdoor Home Playground Safety Handbook. For more detailed information, please visit the CPSC website at www.cpsc.gov or contact their toll-free Consumer Hotline at 800-638-2772.

Limited Warranty

Thank you for choosing Teamson's product. To enjoy the benefits of our warranty, please complete your register on our website.

Visit Our Website

To register your purchase and activate your warranty, please visit:

teamson.com/pages/warranty-registration



| Day count from date of purchase | Product Age | Customer Pays |
|-------------------------------------|------------------------|----------------------------------------|
| Missing or damaged or defect parts | 0~60 Days | \$0 for Part + Free Shipping |
| defects in material and workmanship | 61 Days to 1 year | \$0 for Part + S&H fee |
| wood rot, decay, and insect damage | 0 Days to 1 Year | \$0 for Part + S&H fee |
| | After 1 Year to 5 Year | pro-rated for Part + S&H fee |
| | Over 5 Years | 100% for Part (if available) + S&H fee |

THE MANUFACTURER RESERVES THE RIGHT TO MAKE SUBSTITUTIONS FOR WARRANTY CLAIMS IF PARTS ARE UNAVAILABLE OR DISCONTINUED.

This warranty is valid for the original owner and registrant only and cannot be transferred.

Regular maintenance is essential to preserve the product's integrity. Failure to perform maintenance as outlined in the product's requirements may result in the warranty becoming void.

Exclusions from this Limited Warranty:

- Natural characteristics of wood such as twisting, warping, checking, peeling, or any similar changes that do not impact the product's performance or integrity.
- Improper installation or failure to follow the Assembly Instructions, which will nullify the warranty.
- Labor costs for inspections or replacements of defective parts.
- Incidental or inconsequential damages.
- Cosmetic issues, including rusting, fading, minor cracks, or corrosion that do not affect functionality or structural integrity.
- Vandalism, misuse, or overloading beyond the stated capacities in the Assembly Manual.
- Damage caused by acts of nature, such as wind, storms, hail, floods, or excessive water exposure.
- Installation on unsuitable surfaces, including uneven, unlevel, or soft ground.

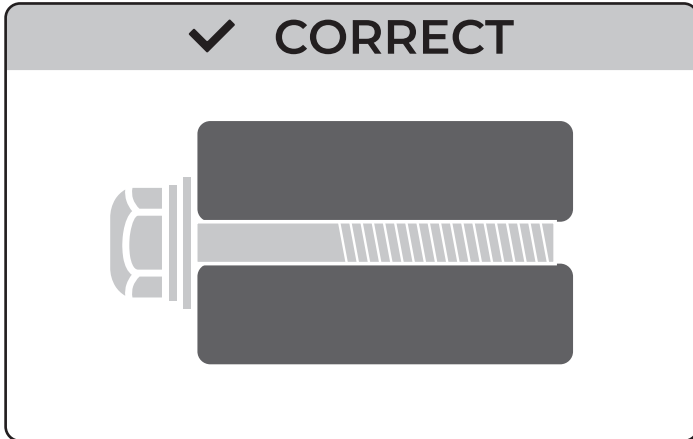
Attention:

- This product is warranted solely for residential use. Use in public settings, such as schools, churches, playgrounds, parks, or daycares, is strictly prohibited. Public use will void the warranty and may result in product failure and potential injury.
- Teamson products are engineered for safety and quality. Alterations to the original product may compromise its structural integrity, increasing the risk of failure and injury. Any modifications will void all warranties, and Teamson assumes no liability for modified products or resulting damages. Teamson disclaims any other representations or implied warranties.
- For the safety and longevity of your product, follow all provided guidelines and instructions carefully.
- Please retain these instructions and your receipt for future reference. Keep them in a safe place where they can be easily accessed as needed. To ensure the most efficient service, it is required to provide the part numbers when ordering replacement parts.

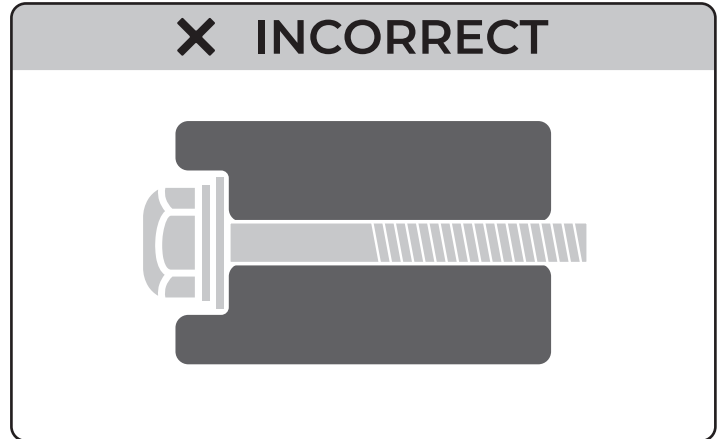
Assembly Tips

⚠ Protrusion Hazard

Ensure bolts do not protrude beyond the T-Nut as this can create a hazard. Refer to the image for proper assembly:



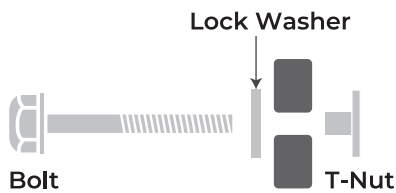
Bolt is flush with the T-Nut.



Bolt extends beyond the T-Nut, causing a potential hazard.

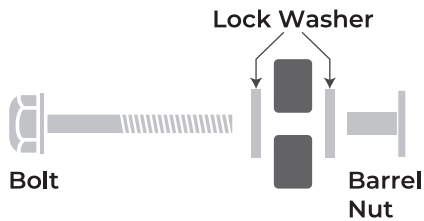
HARDWARE ASSEMBLY GUIDE

Bolt with T-Nut Assembly



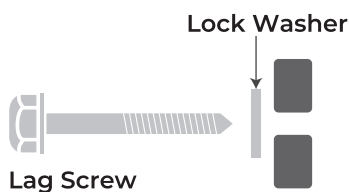
1. Insert the T-Nut into the designated hole.
2. Place a lock washer on the bolt, then insert the bolt into the hole opposite the T-Nut.
3. Turn the bolt clockwise to engage with the T-Nut. **Do not fully tighten the bolt yet;** complete tightening will be done later.

Bolt with Barrel Nut Assembly



1. Insert the barrel nut with a lock washer through the provided hole.
2. Place a second lock washer on the bolt, and insert it into the opposite side of the hole, threading it into the barrel nut.
3. Turn the bolt clockwise to secure it to the barrel nut. **Do not fully tighten the bolt yet;** final tightening will be done in

Lag Screw Assembly



1. If a pilot hole is provided, align the lag screw with it. If no pilot hole exists:
 - Position the two pieces of wood as they will be joined.
 - Use the factory-drilled hole as a guide to drill a new pilot hole into the adjoining wood.
2. Place a lock washer on the lag screw and insert it into the pilot hole.
3. Tighten the lag screw to secure the pieces, ensuring the wood does not split. **Note: Only a lock washer is required when using lag screws.**

Recommended Maintenance and Care Instructions

At the beginning of each play season:

1. Tighten all hardware.
2. Lubricate all metallic moving parts as instructed by the manufacturer.
3. Inspect and replace any loose, cracked, or missing protective coverings on bolts, pipes, edges, and corners.
4. Check swing seats, ropes, cables, and chains for wear, rust, or damage. Replace as needed.
5. Sand and repaint rusty metal parts with non-lead-based paint (16 CFR 1303 compliant).
6. Inspect wood for deterioration or splinters. Sand splinters and replace damaged wood.
7. Reinstall any plastic parts removed during the cold season.
8. Rake and check loose-fill protective surfacing for proper depth. Replenish if needed.

Twice a month during play season:

1. Tighten all hardware.
2. Inspect protective coverings on bolts, pipes, edges, and corners. Replace if loose, cracked, or missing.
3. Rake and check the depth of loose-fill protective surfacing to prevent compaction and maintain proper depth. Replenish if necessary.

Once a month during play season:

1. Lubricate all metallic moving parts according to the manufacturer's instructions.
2. Inspect all moving parts, including swing seats, ropes, cables, and chains, for wear, rust, or deterioration. Replace as needed.

At the end of each play season or when the temperature drops below 32°F/0°C:

1. Remove plastic swing seats and other specified items. Store them indoors or discontinue use.
2. Rake and check the depth of loose-fill protective surfacing to prevent compaction and maintain proper depth. Replenish if necessary.

Disposal Instructions

- **Safe Disassembly:** When the playground equipment is no longer safe for use, carefully disassemble it, removing all fasteners and sharp or protruding parts to prevent hazards.
- **Check Local Regulations:** Many areas have specific guidelines for disposing of large structures. Contact your local waste management authority for disposal or recycling options.
- **Environmentally Friendly Disposal:** Recycle metal and plastic components whenever possible. Wood parts may be recycled or repurposed if untreated, but follow local guidelines for safe disposal if they contain chemicals.
- **Hazard Prevention:** Ensure that dismantled parts are disposed of in a way that does not pose hazards to others, particularly sharp metal, splintered wood, or small parts that could be choking hazards.

Third-Party Assembly

- **Choosing a Third Party:** If you opt to hire a third party for assembly or repair, ensure they are reputable and follow the manufacturer's guidelines.
- **Responsibility Disclaimer:** The manufacturer is not responsible for any damage, injury, or loss caused by improper assembly or modifications made by a third party. Refer to the warranty for specific coverage details.
- **Installation of Ropes and Nets:** For safety, follow specific instructions regarding rope or net installation. This includes adhering to the minimum length, proper attachment points, and secure positioning.
- **Guidelines for Modifications:** If any modifications are needed, they should be done according to the manufacturer's specifications to maintain safety and compliance with warranty terms.

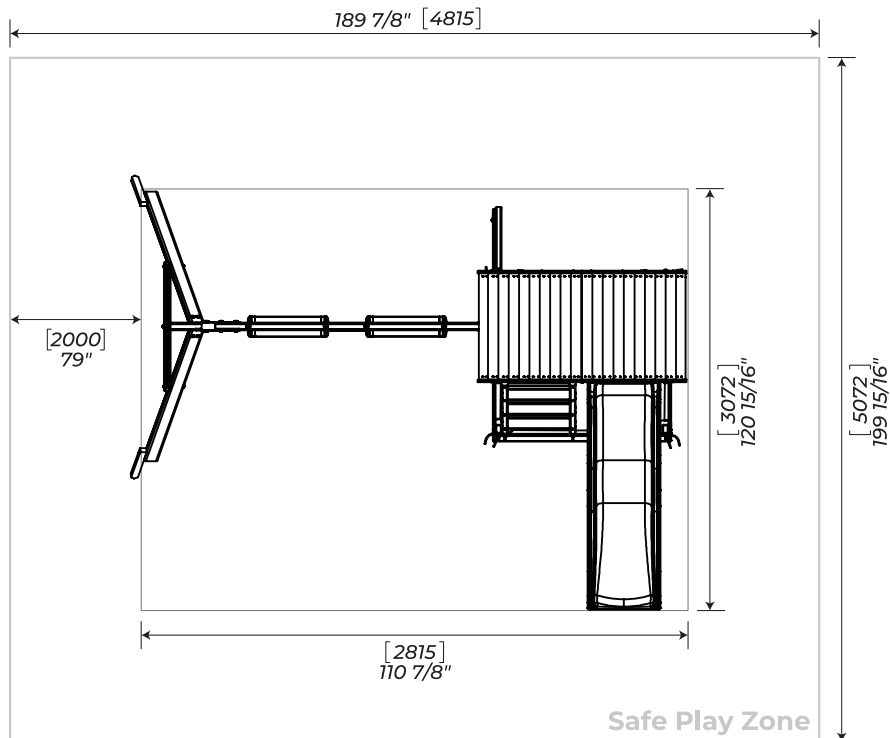
Safe Play Area and Usage Guidelines

Ground Dimension

110 7/8" [2815mm] x 120 15/16" [3072mm]

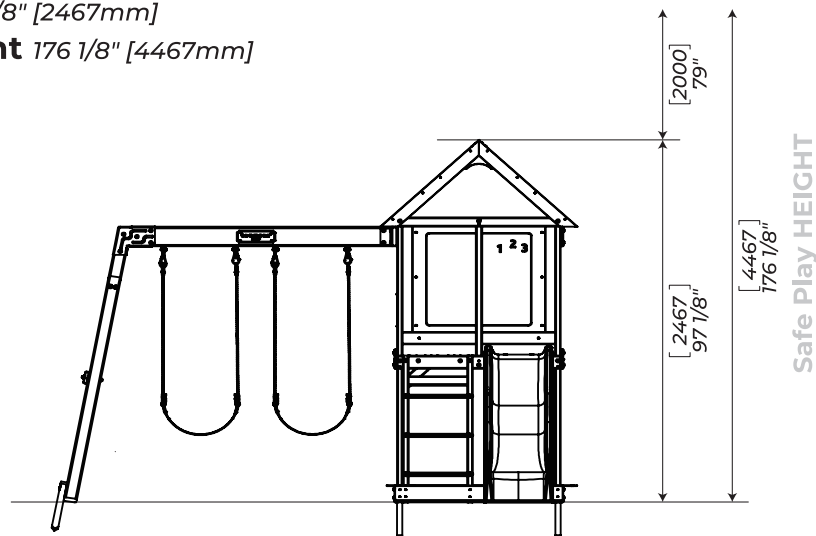
Safe Play Area

189 7/8" [4815mm] x 199 15/16" [5072mm] x 176 1/8" [4467mm]



Safe Play Height 97 1/8" [2467mm]

Maximum Fall Height 176 1/8" [4467mm]



General Information:

WARNING: ONLY FOR DOMESTIC USE. OUTDOOR USE.

- This playset is designed exclusively for residential use by children. It is not intended for public areas such as schools, churches, nurseries, daycares, or parks.
- Weight Limits:
 - Individual Play Activities: Maximum weight per child: 150 lbs (68 kg).
 - Group Play Activities: Maximum weight per child: 110 lbs (50 kg).
- Capacity: This playset is designed to accommodate up to 6 children simultaneously, aged 3 to 10 years.

Safety Guidelines:

- Supervision: Always supervise children during play to ensure safe use of the equipment.
- Installation Surface: Install the playset on level ground with appropriate safety surfacing, such as

mulch or rubber mats, to cushion falls.

- Regular Maintenance: Conduct routine inspections to check for wear, damage, or loose components. Replace or repair parts as necessary to maintain safety standards.
- Proper Use: Ensure children use the equipment as intended. For example, slides should be used feet-first, and swings should not be twisted or swung empty.
- Clothing: Children should wear appropriate clothing—avoid loose garments, hoodies with drawstrings, or accessories that could get caught in the equipment.
- Weather Conditions: Do not use the playset during adverse weather conditions, such as rain, snow, or high winds, to prevent accidents.

Swing Set Safety & Maintenance Instructions

Location & Placement

Place the activity toy on a level surface at least 2 m away from any structure or obstruction, such as fences, garages, houses, overhanging branches, laundry lines, or electrical wires.

Surfacing Requirements

Activity toys (e.g., swings, slides, climbing frames) must be installed over impact-absorbing surfaces such as sand, wood-bark chips, rubber, or foam. They must not be installed over concrete, asphalt, or any other hard surface.

Maximum Fall Heights

| | |
|-----------------------------------------|------------------------------------------------------------------------------------------------|
| Swings : | Maximum fall height 73-15/16" [1878mm] is the height of the suspension connector. |
| Elevated platforms with barriers: | Maximum fall height 76-1/2" [1943mm] is the height of the top surface of the barrier. |
| Elevated platforms without barriers: | Maximum fall height 39 3/8" [1000mm] is the height of the top surface of the platform. |
| Climbing frames and horizontal ladders: | Maximum fall height 39 3/8" [1000mm] is the height of the top surface of the component. |

Fall Height Table — AS/NZS 8124.6

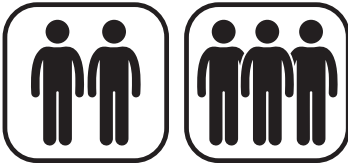
Fall height in millimetres from which a life-threatening head injury would not be expected.

| Type of material | Depth of surfacing material | | |
|----------------------------|-----------------------------|-------|-------|
| | 150mm | 225mm | 300mm |
| Double shredded bark mulch | 1800 | 3000 | 3300 |
| Wood chips | 1800 | 2100 | 3600 |
| Fine sand | 1500 | 1500 | 2700 |
| Fine gravel | 1800 | 2100 | 3000 |

Maintenance Instructions

- Check all nuts and bolts for tightness and tighten when required.
- Oil all metallic moving parts.
- Check all coverings and bolts for sharp edges and replace when required.
- Check swing seats, chains, ropes and other means of attachment for evidence of deterioration; replace when required in accordance with the manufacturer's instructions.
- Sand rusted areas and tubular members, then repaint using non-lead-based paint when required.

Required Tools



Assembly Helper Required

Some steps will require two or three people for safe and proper assembly. Ensure you have a helper available.



Ensure the Structure is Level

Use a level tool to verify that the structure is even and balanced before moving to the next step.



Check for Proper Alignment

Ensure your assembly is square and properly aligned before tightening the bolts.



Use an Adjustable Wrench

This icon means you will need an adjustable wrench to tighten or loosen bolts as needed.



Pick the Right Drill Bit

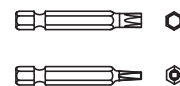
This icon shows the size of the twist drill bit you need to pre-drill holes. Always match the drill bit size to the specific requirement of the assembly step to ensure proper fit and avoid damaging the materials.



Grab Your Electric Drill

This icon indicates the need for an electric drill to use with the drill bits in attached tool set.

2802004-----x1



Use the Right Socket

This icon means you will need a 1/2" socket to tighten or adjust bolts.



Do Not Over-Tighten Bolts

This icon warns against over-tightening bolts, as it can cause structural damage or split the wood.

Wood Parts (Not actual size)

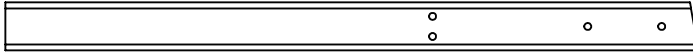
0118 (3290118) ----- x1

2" x 5-1/4" x 62-1/4" (51 x 133 x 1581mm)



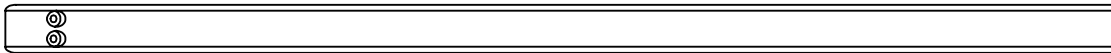
0119 (3290119) ----- x1

2" x 3" x 43-5/16" (51 x 76 x 1100mm)



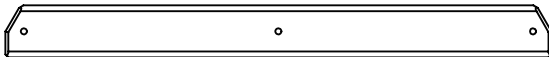
0120 (3290120) ---- x2

2" x 3" x 69-5/8" (51 x 76 x 1768mm)



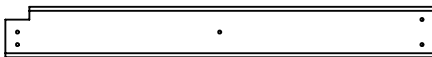
0121 (3290121) ----- x1

1" x 3-1/4" x 34-1/8" (25 x 83 x 867mm)



0122 (3290122) ---- x2

5/8" x 3-1/8" x 26-3/4" (16 x 80 x 680mm)



0123 (3290123) ---- x4

3/4" x 3" x 32-15/16" (19 x 76 x 836mm)



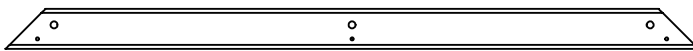
0124 (3290124) ---- x1

5/8" x 2-1/2" x 43-5/16" (16 x 64 x 1100mm)



0125 (3290125) ---- x1

5/8" x 2-1/2" x 43-5/16" (16 x 64 x 1100mm)



0126 (3290126) ---- x2

5/8" x 4" x 12-1/2" (16 x 102 x 318mm)



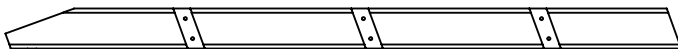
0127 (3290127) ---- x1

1-3/8" x 2-1/2" x 42-1/4" (35 x 64 x 1073mm)



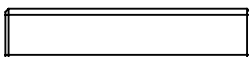
0128 (3290128) ---- x1

1-3/8" x 2-1/2" x 42-1/4" (35 x 64 x 1073mm)



0129 (3290129) ---- x3

15/16" x 3-1/4" x 15-5/16" (24 x 83 x 388mm)



Wood Parts (Not actual size)

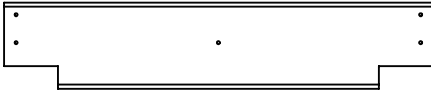
0130 (3290130) ---- x6

5/8" x 3-3/8" x 31-1/2" (16 x 86 x 800mm)



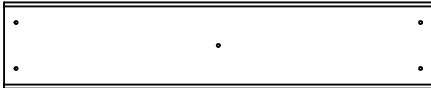
0131 (3290131) ----- x2

5/8" x 5-3/8" x 26-3/4" (16 x 137 x 680mm)



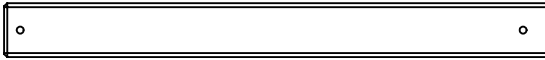
0132 (3290132) ---- x4

5/8" x 5-3/8" x 26-3/4" (16 x 137 x 680mm)



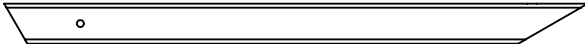
0133 (3290133) ---- x2

5/8" x 3-3/8" x 34-1/8" (16 x 86 x 866mm)



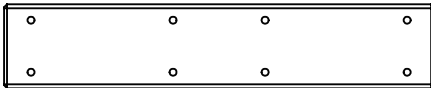
0134 (3290134) ---- x1

1-3/8" x 2-1/2" x 36-1/2" (35 x 64 x 927mm)



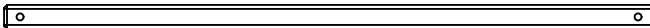
0135 (3290135) ---- x1

1-1/4" x 5-1/4" x 26-7/8" (32 x 133 x 683mm)



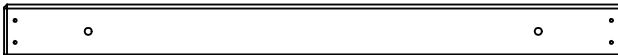
0136 (3290136) ---- x1

1-1/2" x 1-1/2" x 40-5/8" (38 x 38 x 1032mm)



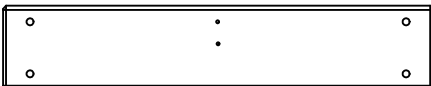
0137 (3290137) ---- x1

5/8" x 3-3/8" x 38-5/8" (16 x 86 x 981mm)



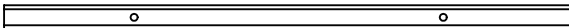
0138 (3290138) ---- x3

5/8" x 5-1/4" x 26-7/8" (16 x 133 x 683mm)



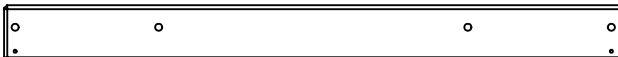
0139 (3290139) ---- x1

1-1/2" x 1-1/2" x 35-9/16" (38 x 38 x 903mm)



0140 (3290140) --- x1

1" x 3-1/2" x 38-5/8" (25 x 89 x 981mm)



0141 (3290141) ----- x1

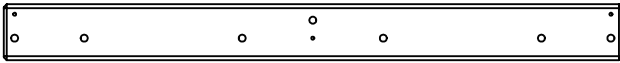
1" x 1-3/8" x 38-1/2" (25 x 35 x 978mm)



Wood Parts (Not actual size)

0142 (3290142) ---- x1

1-1/4" x 3-1/2" x 38-5/8" (32 x 89 x 981mm)



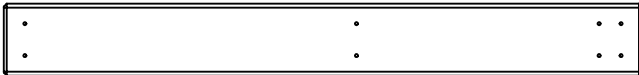
0143 (3290143) ---- x2

1-3/8" x 2-1/2" x 3-15/16" (35 x 64 x 100mm)



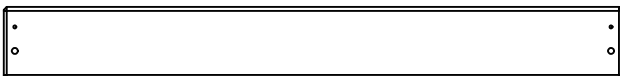
0144 (3290144) --- x1

5/8" x 4-1/2" x 39-7/8" (16 x 114 x 1013mm)



0145 (3290145) ---- x1

5/8" x 4-1/2" x 38-5/8" (16 x 114 x 981mm)



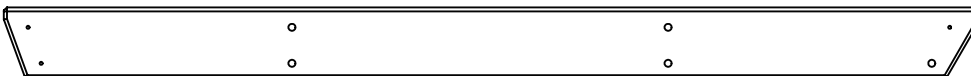
0146 (3290146) ---- x1

5/8" x 4-1/2" x 43-13/16" (16 x 114 x 1113mm)



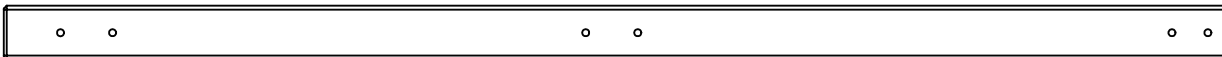
0147 (3290147) ---- x1

5/8" x 4-1/2" x 60-15/16" (16 x 114 x 1548mm)



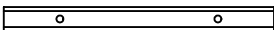
0148 (3290148) ---- x2

1-3/8" x 3-3/8" x 76-1/2" (35 x 86 x 1943mm)



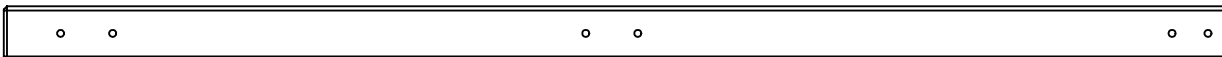
0149 (3290149) ---- x2

1-1/2" x 1-1/2" x 16-7/8" (38 x 38 x 429mm)



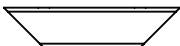
0150 (3290150) ---- x2

1-3/8" x 3-3/8" x 76-1/2" (35 x 86 x 1943mm)



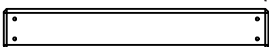
0151 (3290151) ----- x2

1-3/8" x 2-1/2" x 11" (35 x 64 x 280mm)



0152 (3290152) ---- x1

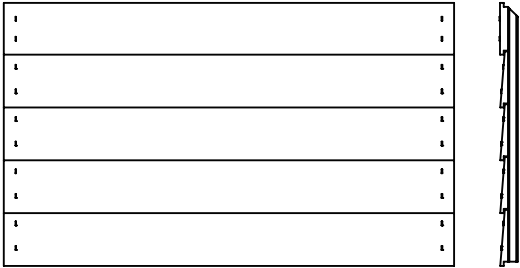
5/8" x 2-1/2" x 16-9/16" (16 x 64 x 420mm)



Wood Parts (Not actual size)

042 (37290042)--- x1

1-1/8" x 16-7/16" x 28-5/16" (29 x 417 x 718mm)



043 (37290043)--- x1

1-1/8" x 16-5/8" x 28-5/16" (29 x 422 x 718mm)



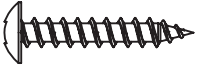
044 (37290044) -- x2

1-1/8" x 16-1/4" x 28-5/16" (28 x 413 x 718mm)



Hardware (Actual Size)

S0 ----- **x8**
#8 x 7/8" (#8 x 22mm)



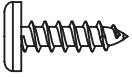
S1 ----- **x24**
#8 x 1-1/8" (#8 x 29mm)



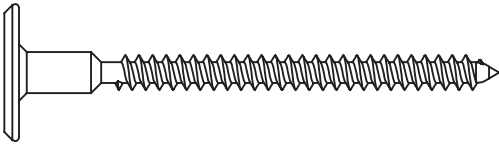
S3 ----- **x19**
#8 x 2-1/2" (#8 x 64mm)



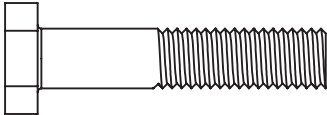
S5 ----- **x12**
#8 x 1/2" (#8 x 13mm)



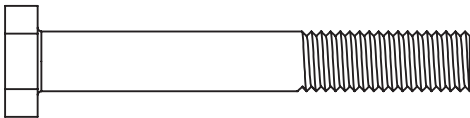
WL5 ----- **x7**
1/4" x 2-1/2" (6.4 x 64mm)



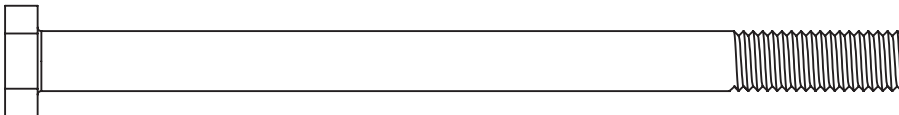
G1 ----- **x4**
5/16" x 1-1/2" (8 x 38mm)



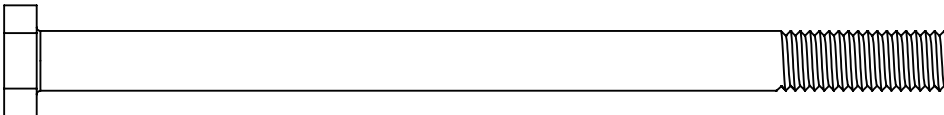
G3 ----- **x1**
5/16" x 2-1/4" (8 x 57mm)



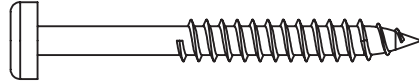
G5 ----- **x7**
5/16" x 4-1/2" (8 x 114mm)



G6 ----- **x6**
5/16" x 4-3/4" (8 x 121mm)



S7 ----- **x2**
#12 x 2" (#12 x 51mm)



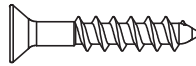
S15 ----- **x35**
#8 x 1-3/4" (#8 x 44mm)



S20 ----- **x57**
#8 x 1-3/8" (#8 x 35mm)



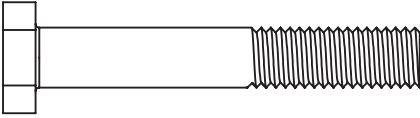
S21 ----- **x12**
#8 x 1" (#8 x 25mm)



Hardware (Actual Size)

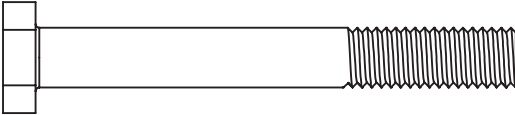
G8-----x20

5/16" x 2" (8 x 51mm)



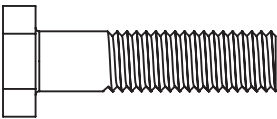
G9-----x3

5/16" x 2-1/2" (8 x 64mm)



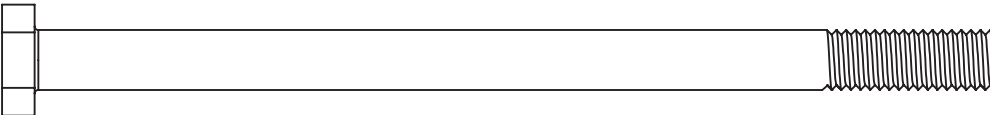
G14-----x4

5/16" x 1-1/4" (8 x 32mm)



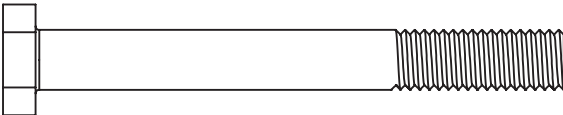
G22-----x2

5/16" x 5" (8 x 127mm)



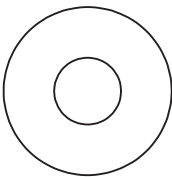
G36-----x16

5/16" x 2-3/4" (8 x 70mm)



FW2-----x78

5/16" (8mm)



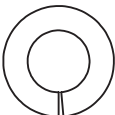
TN2-----x48

5/16" (8mm)



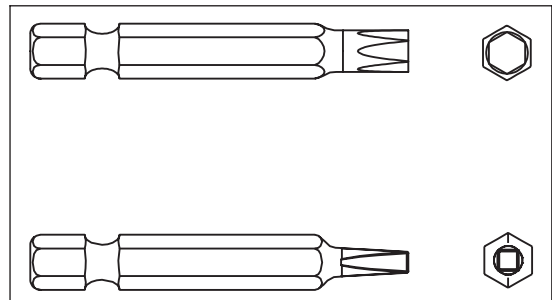
LW2-----x27

5/16" (8mm)



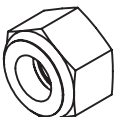
2802004

Tool Sets(x1)



LN2-----x15

5/16" (8mm)



Accessory Parts (Not actual size)

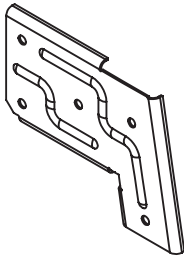
2000002 ----- x1



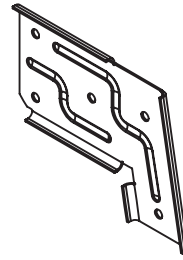
2000003 ----- x1



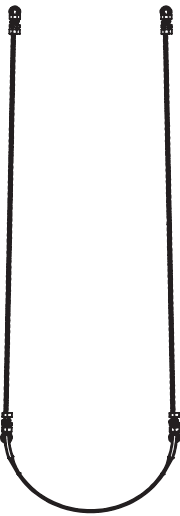
2030028 ----- x1



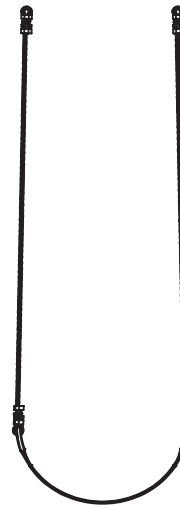
2030029 ----- x1



2110029 ----- x1
38-9/16" (980mm)



2130029 ----- x1
38-9/16" (980mm)



2130020 ----- x1
70-1/4" (1785mm)



Accessory Parts (Not actual size)

2004016-----x6



2001006-----x4



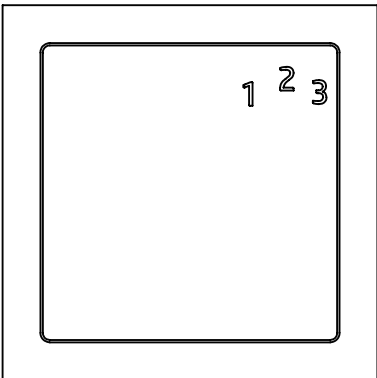
2030005-----x2



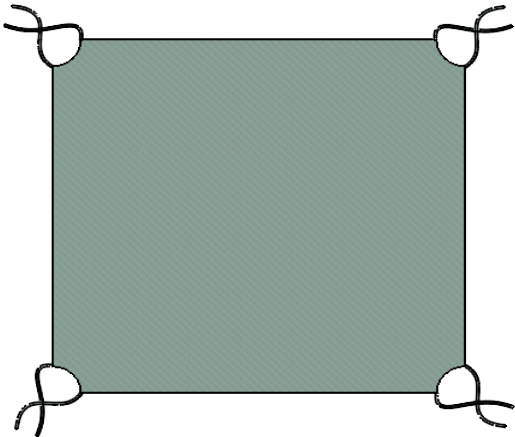
2002021-----x4



2230008----- x1



2262009----- x1



1

Wood Parts

0138 ----- x2
5/8" x 5-1/4" x 26-7/8" (16 x 133 x 683mm)

0148 ----- x1
1-3/8" x 3-3/8" x 76-1/2" (35 x 86 x 1943mm)

0146 ----- x1
5/8" x 4-1/2" x 43-13/16" (16 x 114 x 1113mm)

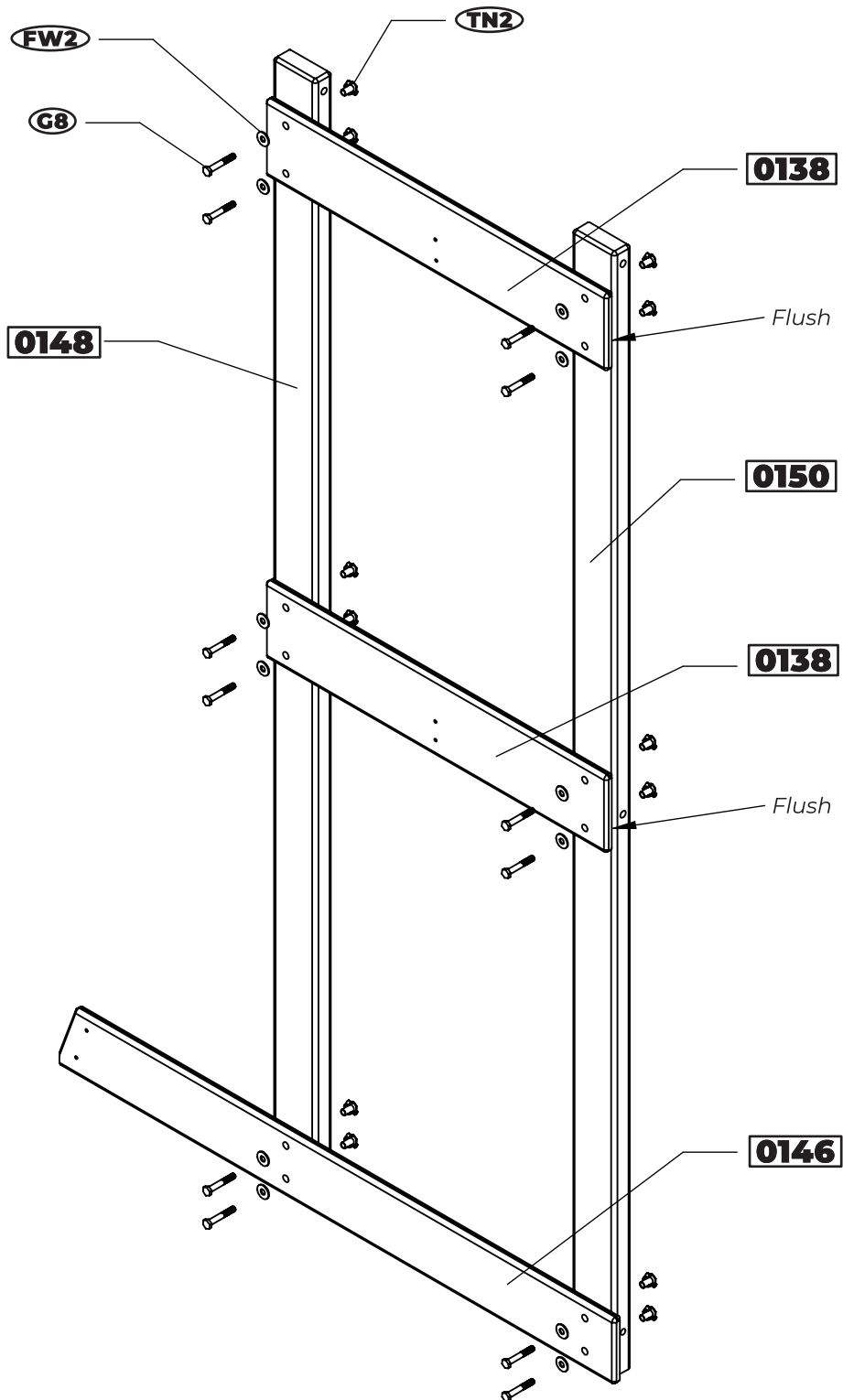
0150 ----- x1
1-3/8" x 3-3/8" x 76-1/2" (35 x 86 x 1943mm)

Hardware

G8 ----- x12 **TN2 ----- x12**
5/16" x 2" (8 x 51mm) 5/16" (8mm)

FW2 ----- x12
5/16" (8mm)

Assemble T-Nuts first with hammer!



Wood Parts

0138 ----- **x1**
5/8" x 5-1/4" x 26-7/8" (16 x 133 x 683mm)

0148 ----- **x1**
1-3/8" x 3-3/8" x 76-1/2" (35 x 86 x 1943mm)

0147 ----- **x1**
5/8" x 4-1/2" x 60-15/16" (16 x 114 x 1548mm)

0150 ----- **x1**
1-3/8" x 3-3/8" x 76-1/2" (35 x 86 x 1943mm)

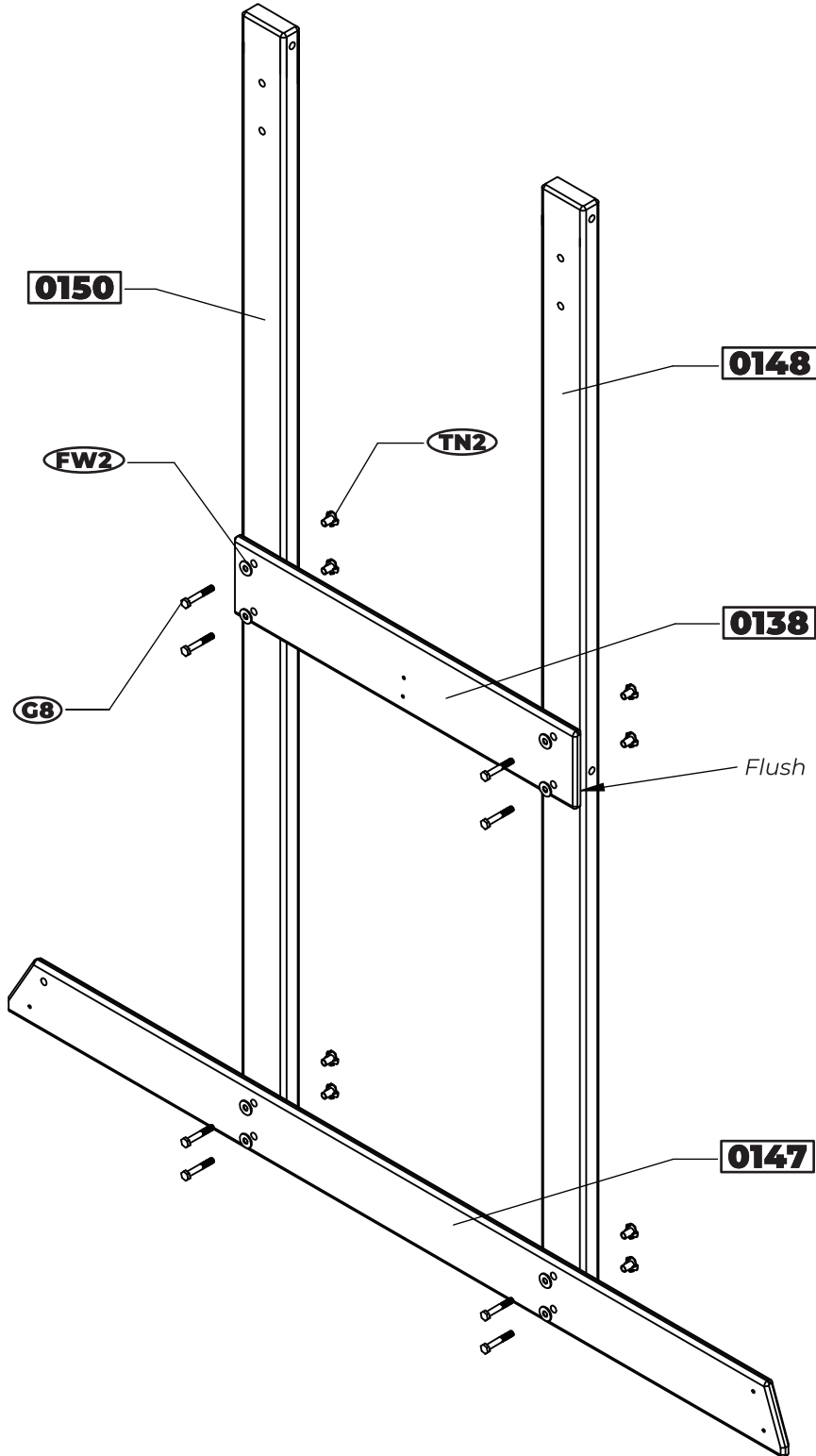
Hardware

G8 ----- **x8**
5/16" x 2" (8 x 51mm)

TN2 ----- **x8**
5/16" (8mm)

FW2 ----- **x8**
5/16" (8mm)

Assemble T-Nuts first with hammer!



3

Wood Parts

0135 ----- x1
1-1/4" x 5-1/4" x 26-7/8" (32 x 133 x 683mm)

Hardware

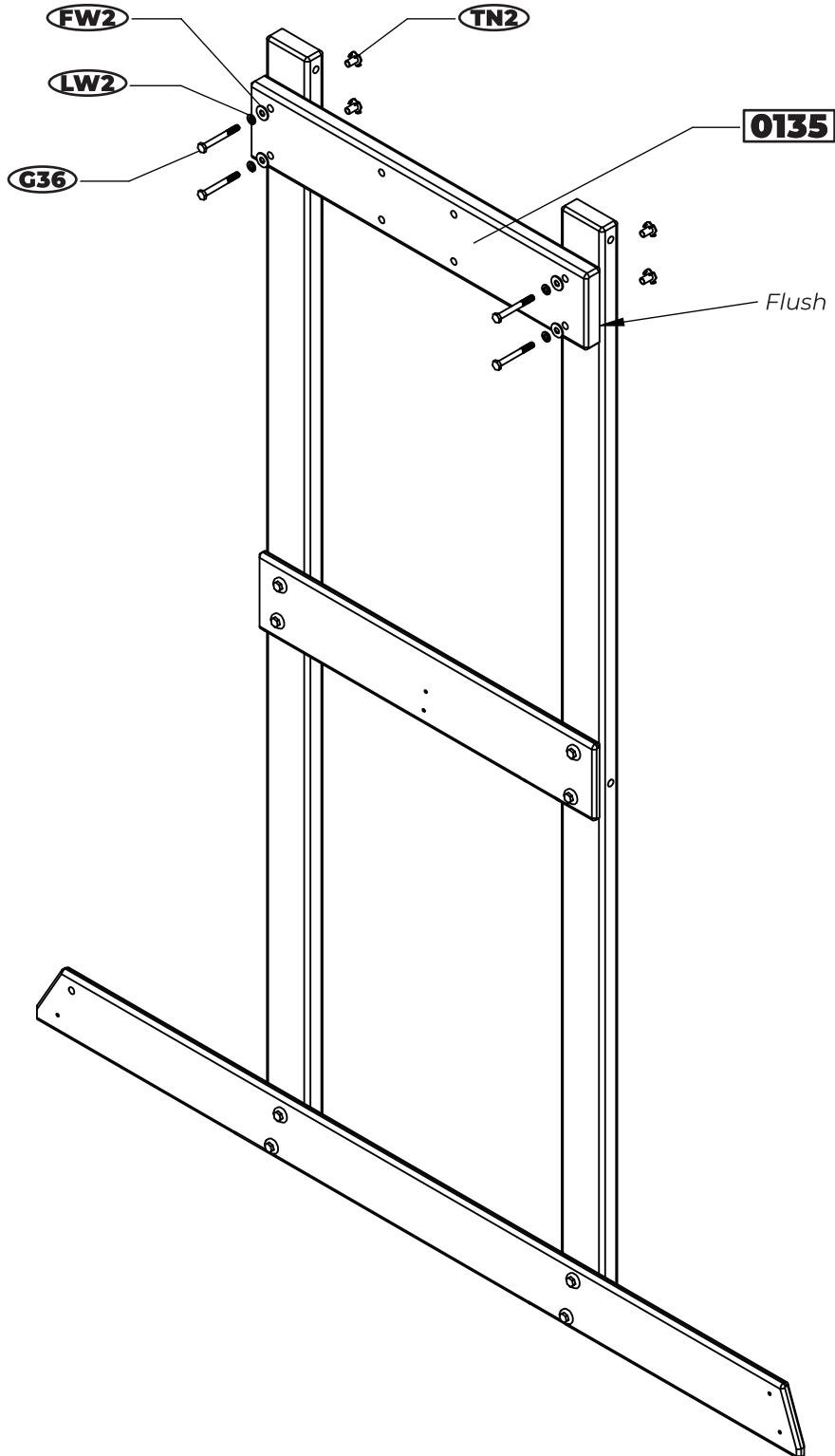
G36 -----x4
5/16" x 2-3/4" (8 x 70mm)

LW2 -----x4
5/16" (8mm)

FW2 -----x4
5/16" (8mm)

TN2 -----x4
5/16" (8mm)

Assemble T-Nuts first with hammer!



Wood Parts

0142 ----- **x1**
 1-1/4" x 3-1/2" x 38-5/8" (32 x 89 x 981mm)

S3 ----- **x2**
 #8 x 2-1/2" (#8 x 64mm)

G6 ----- **x2**
 5/16" x 4-3/4" (8 x 121mm)

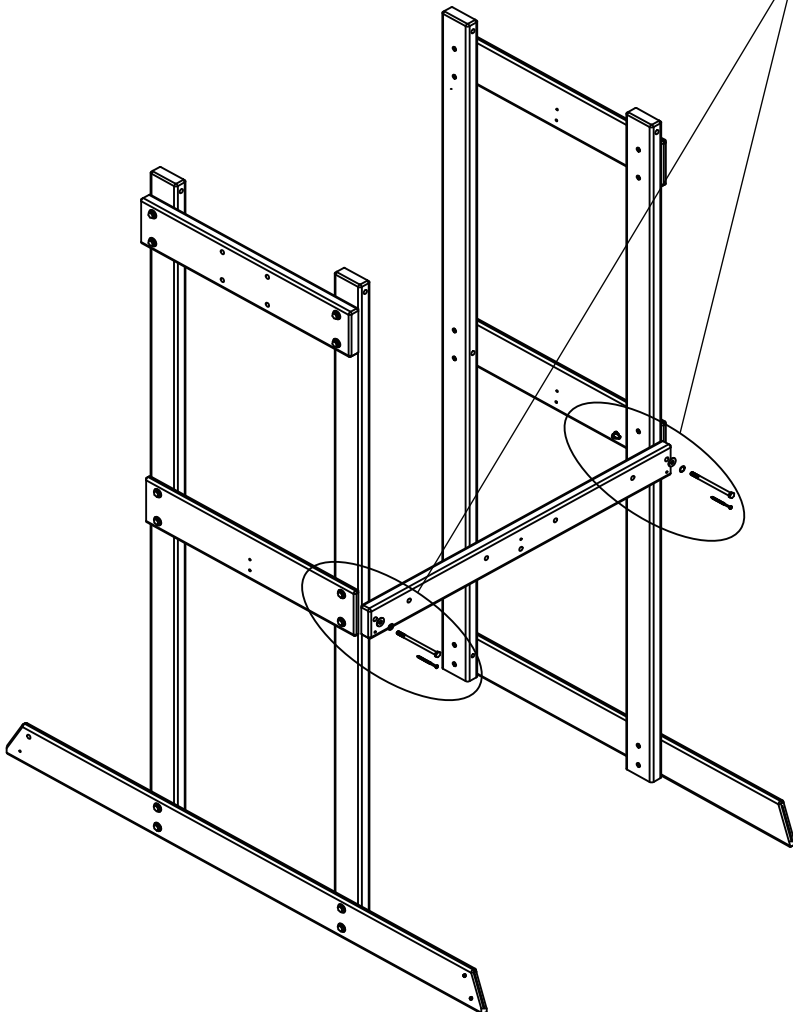
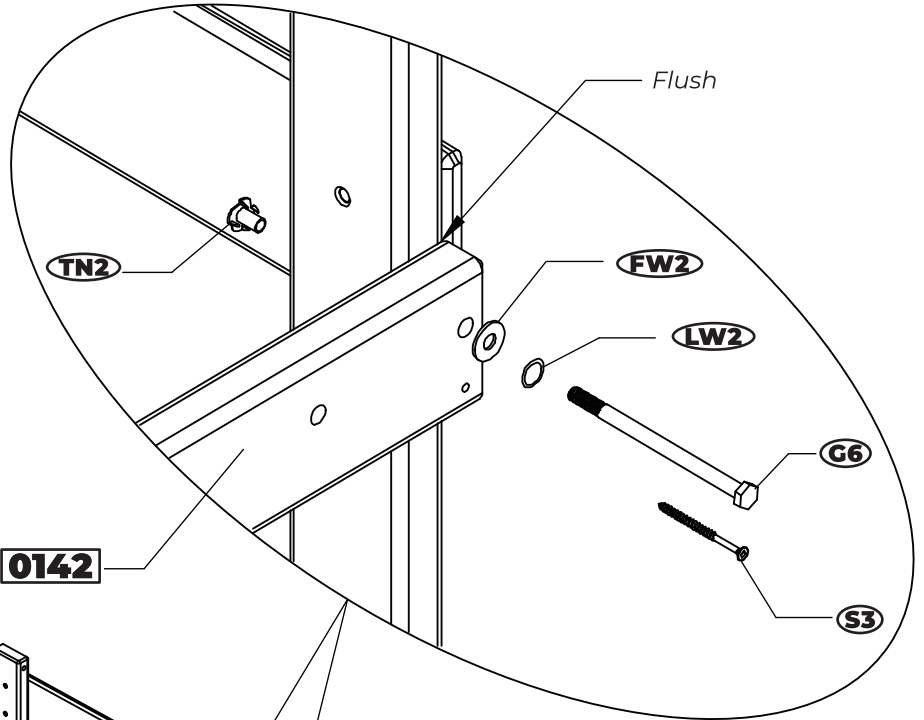
Hardware

FW2 ----- **x2**
 5/16" (8mm)

TN2 ----- **x2**
 5/16" (8mm)

LW2 ----- **x2**
 5/16" (8mm)

Assemble T-Nuts first with hammer!



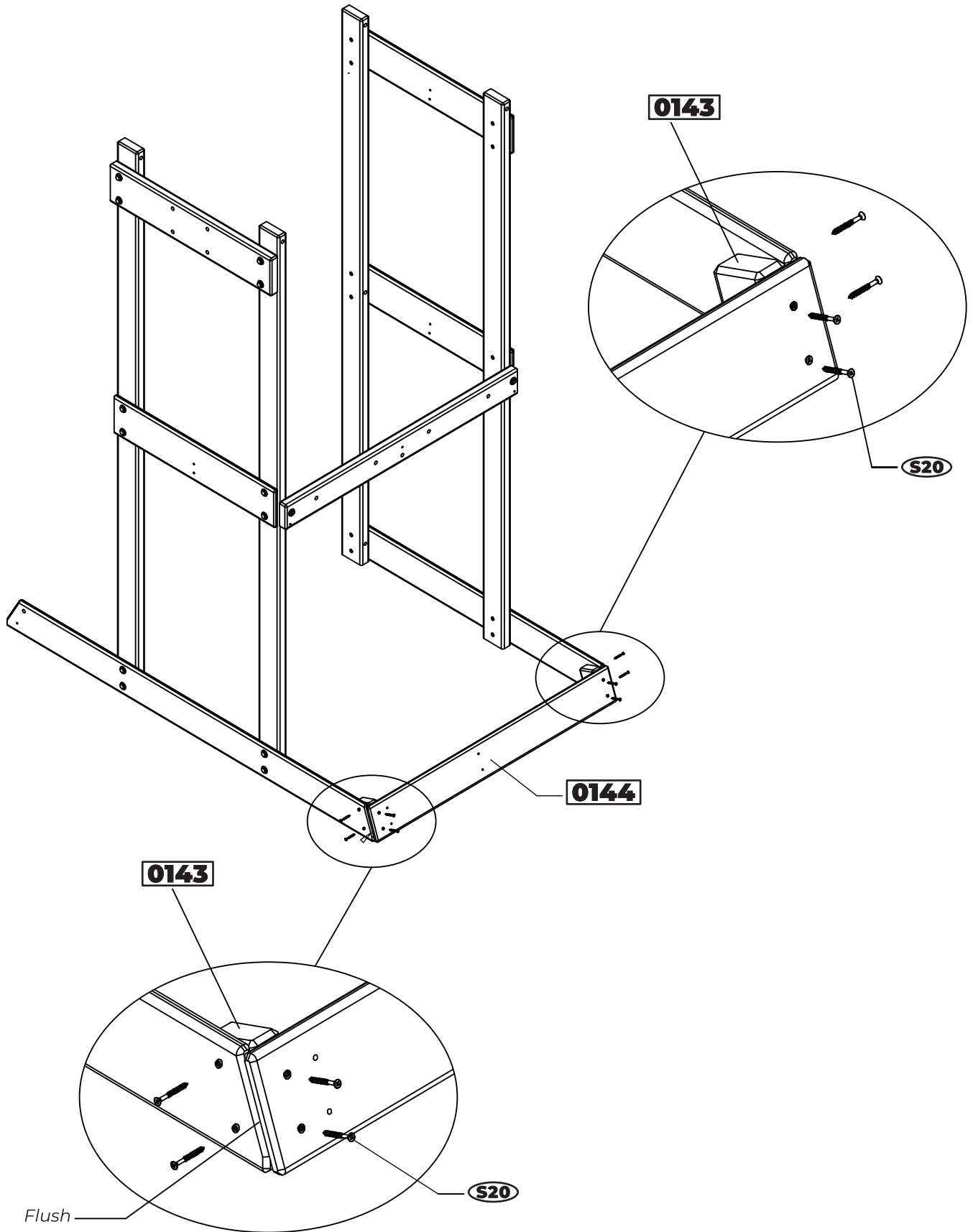
Wood Parts

Hardware

0143 ----- **x2**
1-3/8" x 2-1/2" x 3-15/16" (35 x 64 x 100mm)

0144 ----- **x1**
5/8" x 4-1/2" x 39-7/8" (16 x 114 x 1013mm)

S20 ----- **x8**
#8 x 1-3/8" (#8 x 35mm)



Wood Parts

0145 ----- **x1**
 5/8" x 4-1/2" x 38-5/8" (16 x 114 x 981mm)

S15 ----- **x2**
 #8 x 1-3/4" (#8 x 44mm)

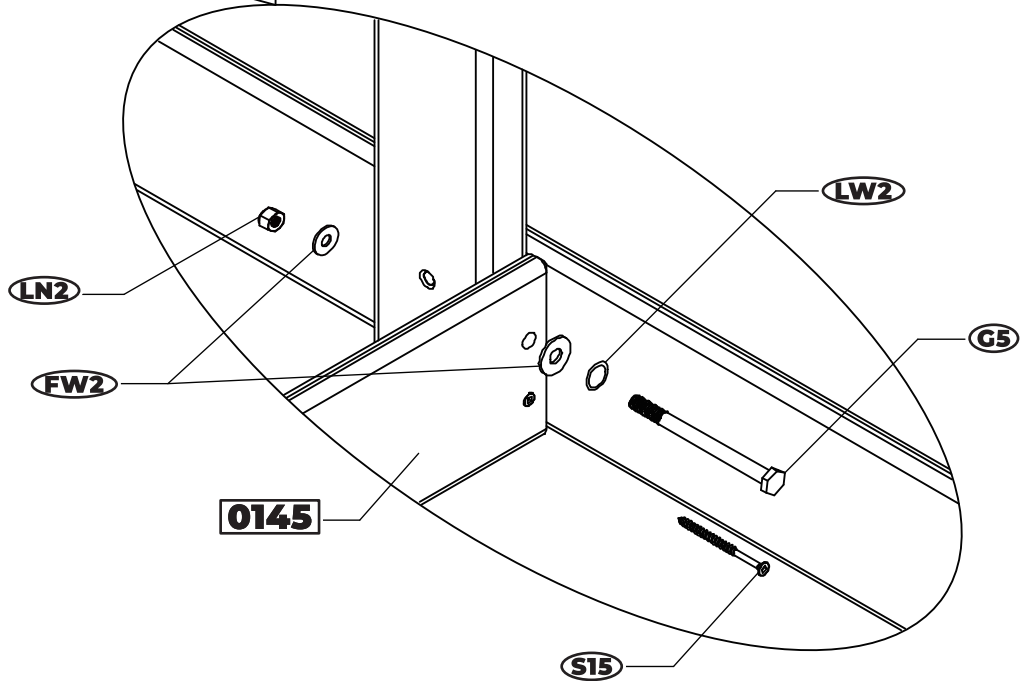
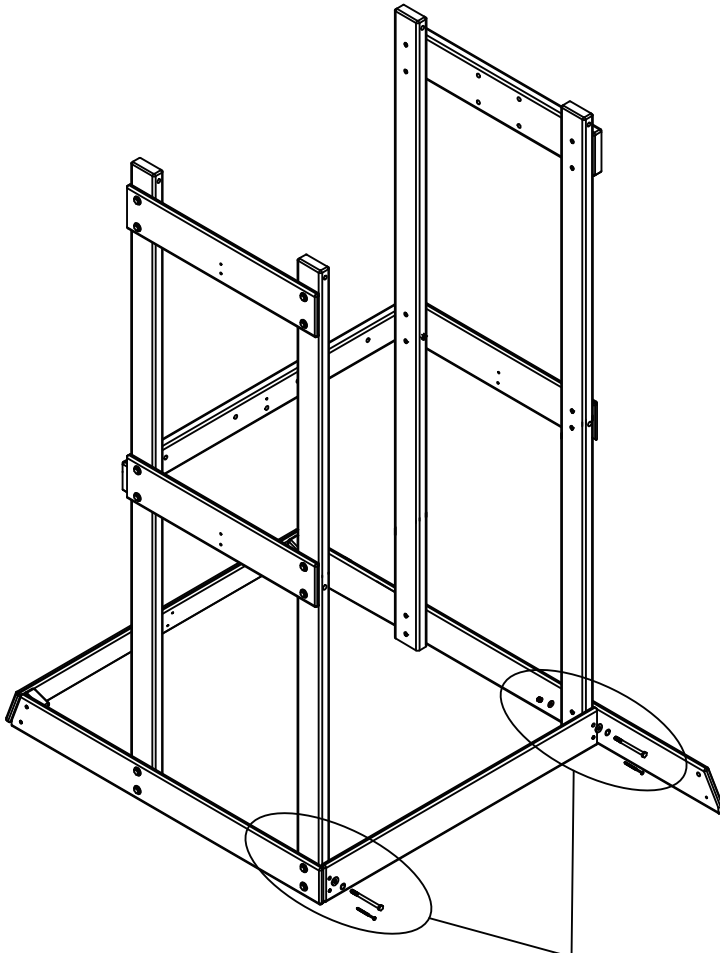
G5 ----- **x2**
 5/16" x 4-1/2" (8 x 114mm)

Hardware

FW2 ----- **x4**
 5/16" (8mm)

LW2 ----- **x2**
 5/16" (8mm)

LN2 ----- **x2**
 5/16" (8mm)



Wood Parts

0140 ----- x1
1" x 3-1/2" x 38-5/8" (25 x 89 x 981mm)

S3 ----- x2
#8 x 2-1/2" (#8 x 64mm)

G5 ----- x2
5/16" x 4-1/2" (8 x 114mm)

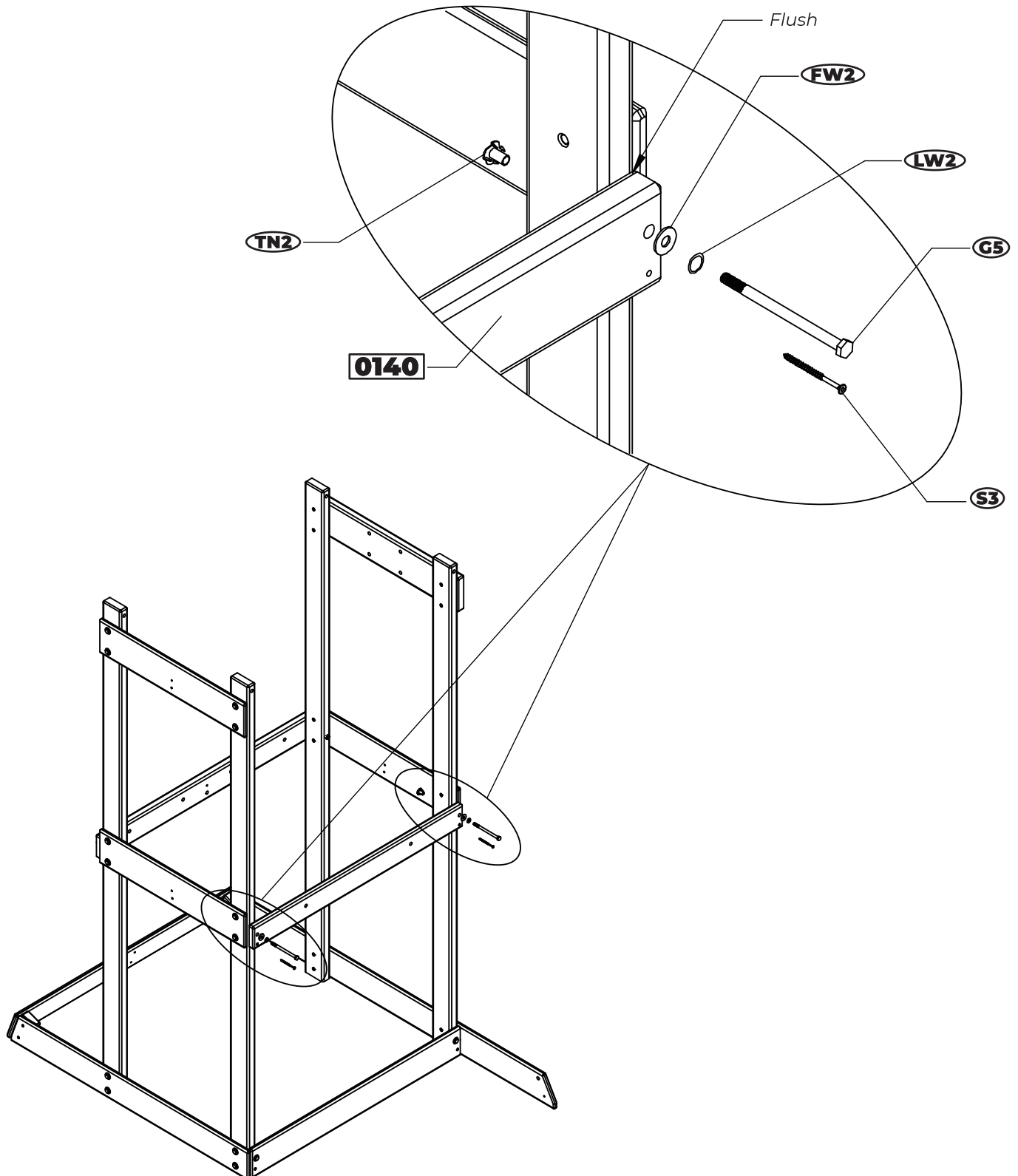
Hardware

LW2 ----- x2
5/16" (8mm)

FW2 ----- x2
5/16" (8mm)

TN2 ----- x2
5/16" (8mm)

Assemble T-Nuts first with hammer!



Wood Parts

0134 ----- x1
1-3/8" x 2-1/2" x 36-1/2" (35 x 64 x 927mm)

S15 ----- x1
#8 x 1-3/4" (#8 x 44mm)

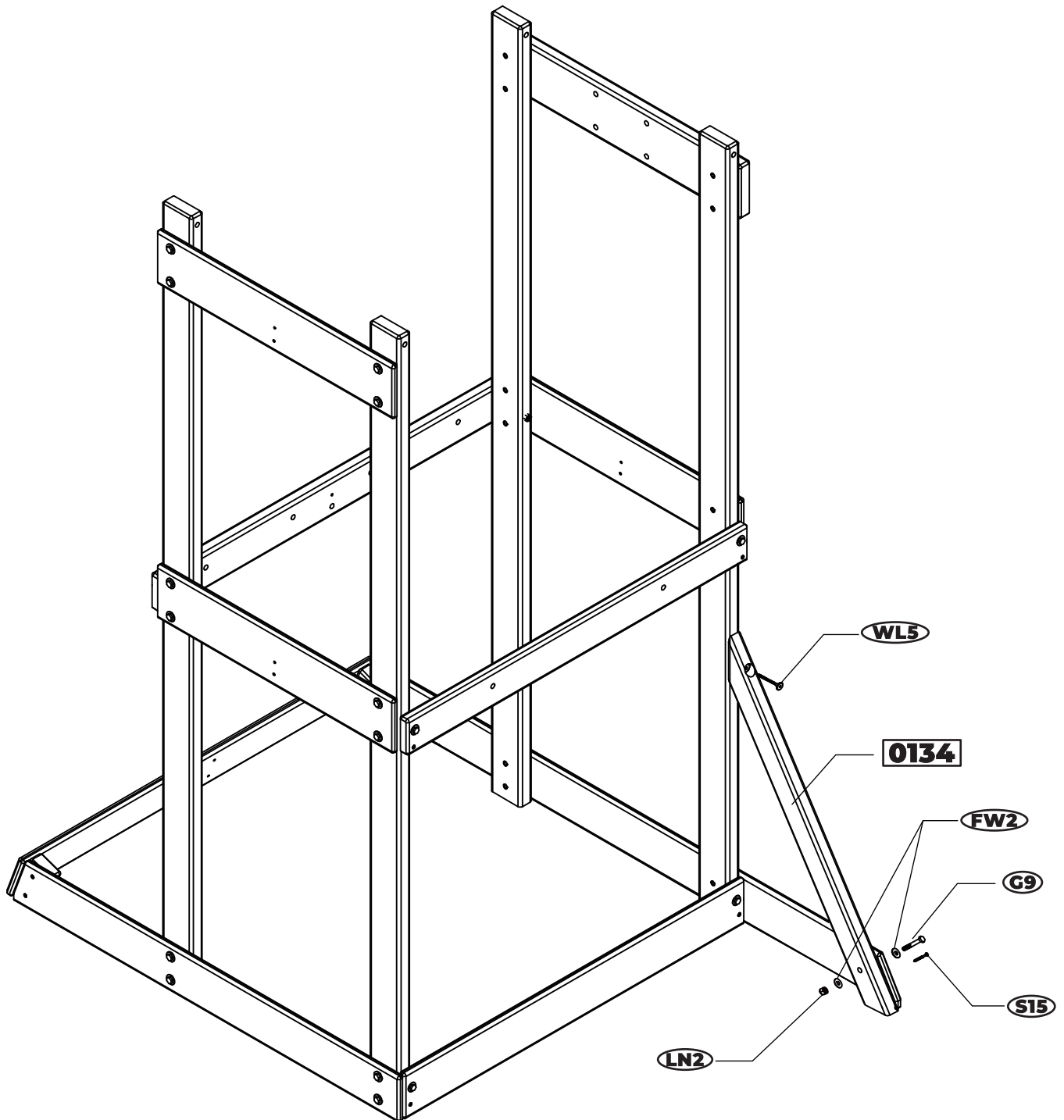
G9 ----- x1
5/16" x 2-1/2" (8 x 64mm)

Hardware

WL5 ----- x1
1/4" x 2-1/2" (6.4 x 64mm)

FW2 ----- x2
5/16" (8mm)

LN2 ----- x1
5/16" (8mm)



Wood Parts

0139 ----- **x1**
 1 1/2" x 1-1/2" x 35-9/16" (38 x 38 x 903mm)

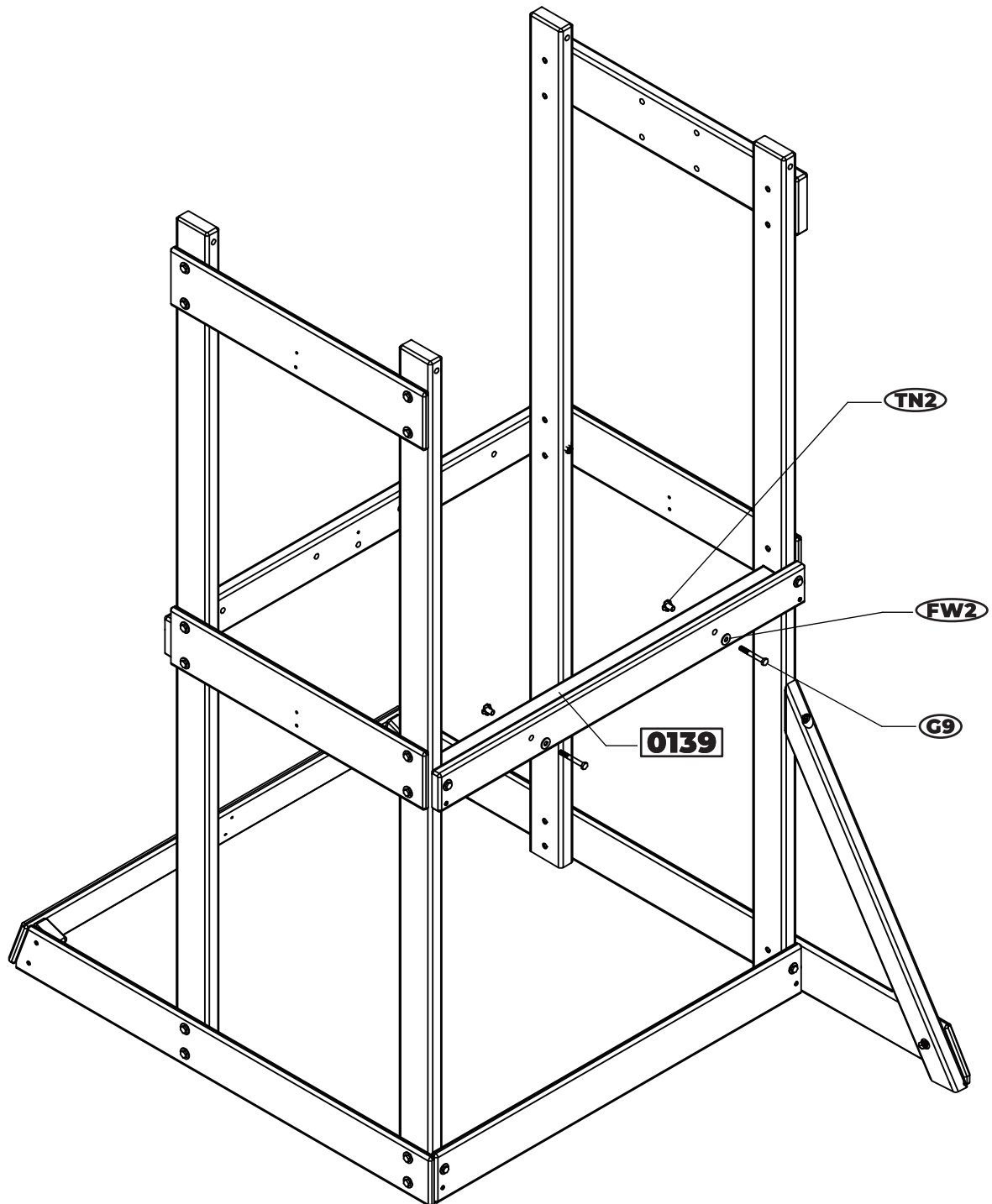
Hardware

G9 ----- **x2**
 5/16" x 2-1/2" (8 x 64mm)

FW2 ----- **x2**
 5/16" (8mm)

TN2 ----- **x2**
 5/16" (8mm)

Assemble T-Nuts first with hammer!



Wood Parts

0136 ----- **x1**
 1-1/2" x 1-1/2" x 40-5/8" (38 x 38 x 1032mm)

0149 ----- **x2**
 1-1/2" x 1-1/2" x 16-7/8" (38 x 38 x 429mm)

Hardware

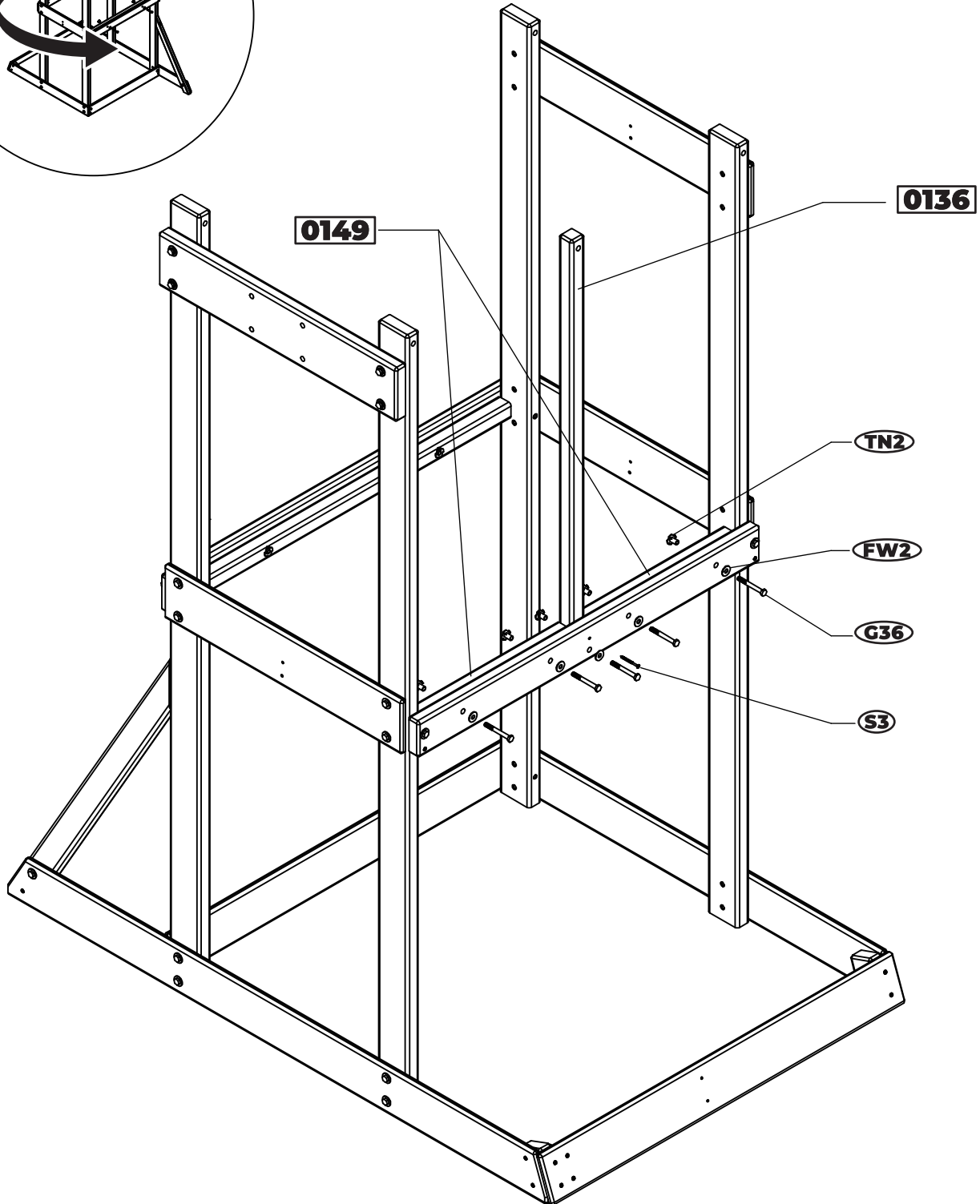
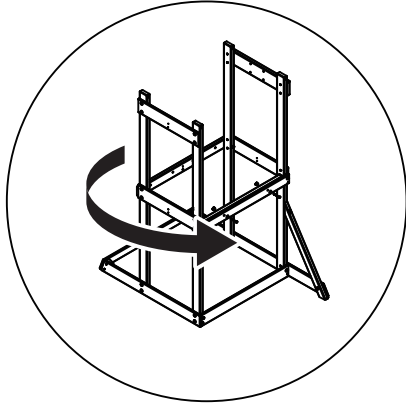
S3 ----- **x1**
 #8 x 2-1/2" (#8 x 64mm)

G36 ----- **x5**
 5/16" x 2-3/4" (8 x 70mm)

FW2 ----- **x5**
 5/16" (8mm)

TN2 ----- **x5**
 5/16" (8mm)

Assemble T-Nuts first with hammer!



Wood Parts

0127 ----- x1
 1-3/8" x 2-1/2" x 42-1/4" (35 x 64 x 1073mm)

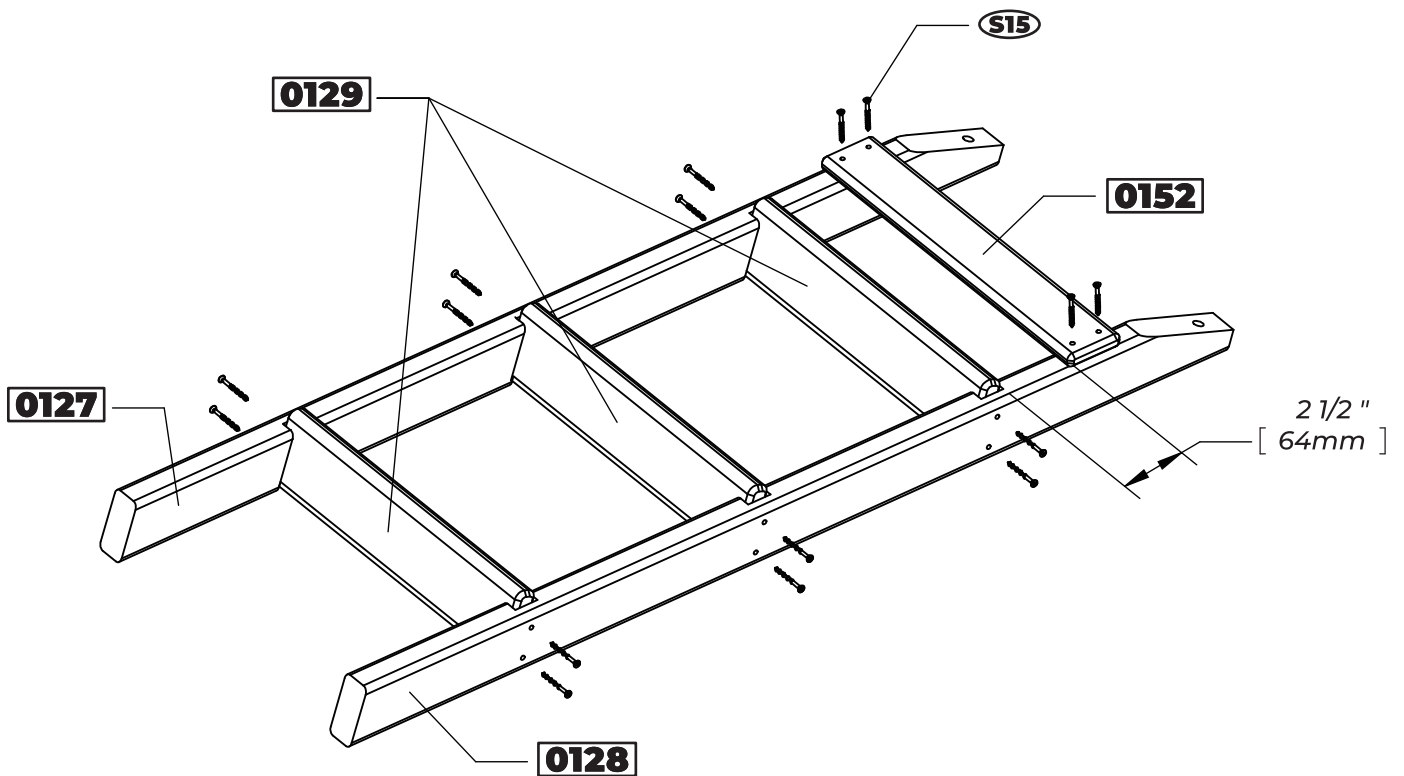
0128 ----- x1
 1-3/8" x 2-1/2" x 42-1/4" (35 x 64 x 1073mm)

0129 ----- x3
 15/16" x 3-1/4" x 15-5/16" (24 x 83 x 388mm)

0152 ----- x1
 5/8" x 2-1/2" x 16-9/16" (16 x 64 x 420mm)

Hardware

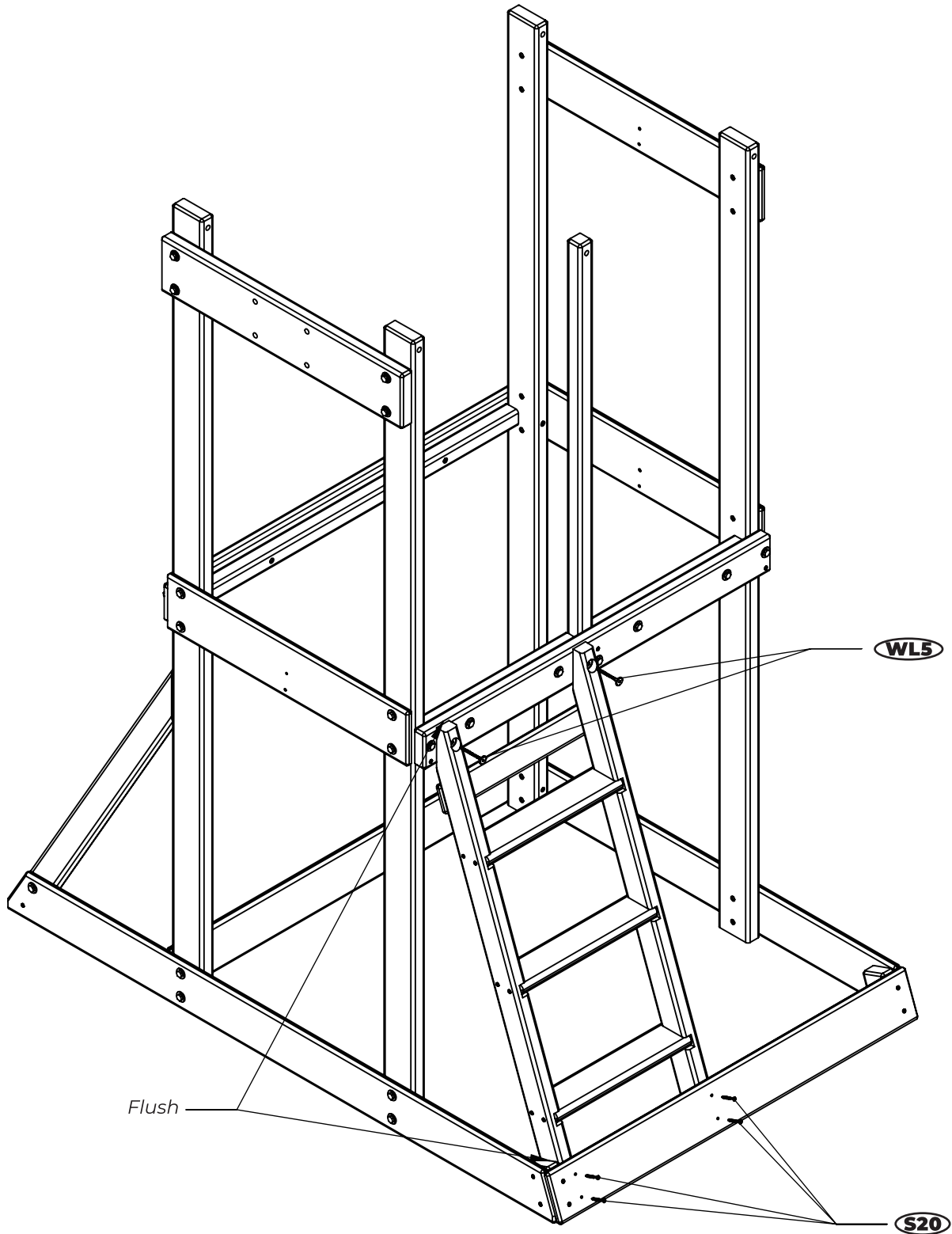
S15 ----- x16
 #8 x 1-3/4" (#8 x 44mm)



Hardware

S20 -----x4
#8 x 1-3/8" (#8 x 35mm)

WL5 -----x2
1/4" x 2-1/2" (6.4 x 64mm)

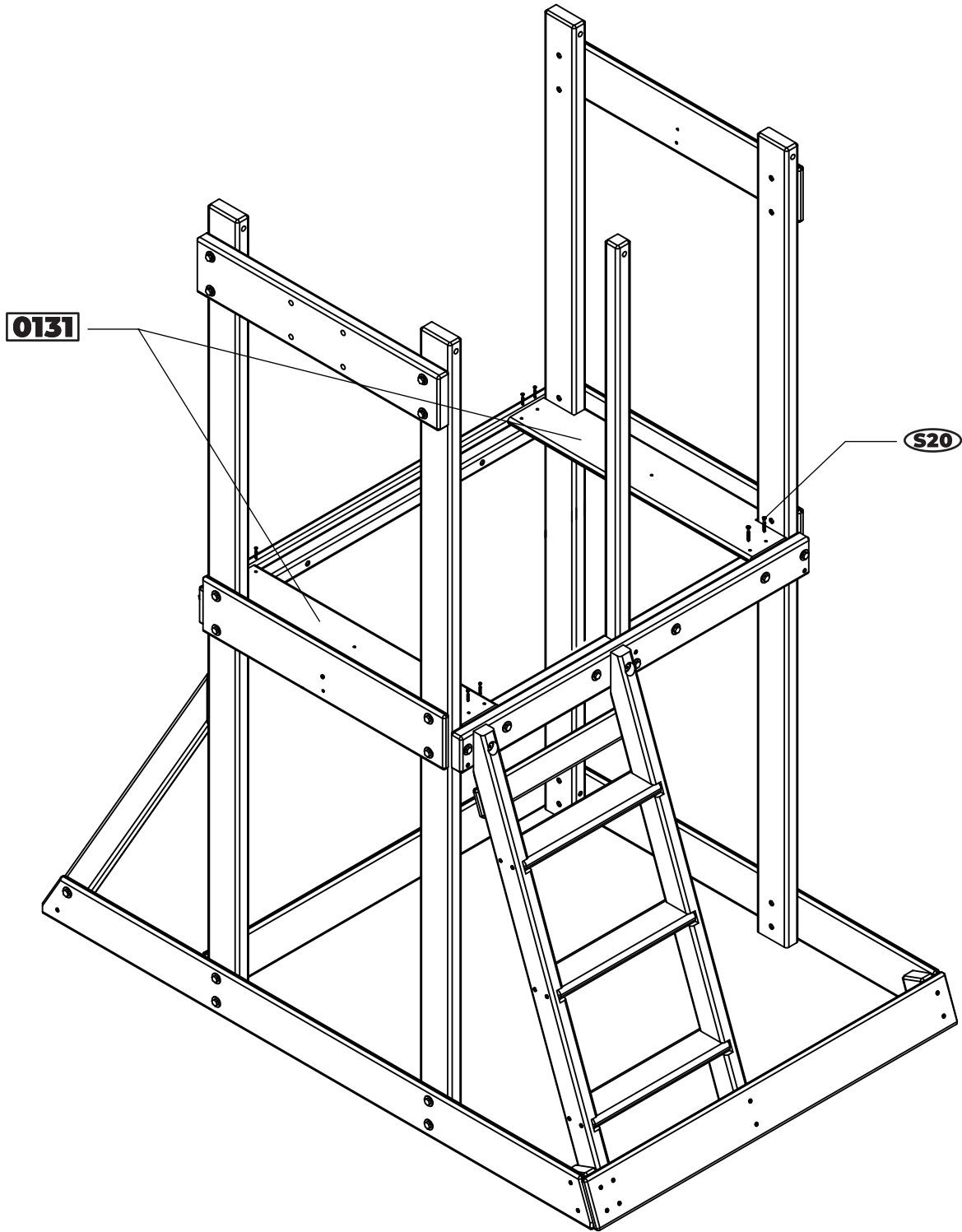


Wood Parts

Hardware

0131-----x2
5/8" x 5-3/8" x 26-3/4" (16 x 137 x 680mm)

S20-----x8
#8 x 1-3/8" (#8 x 35mm)

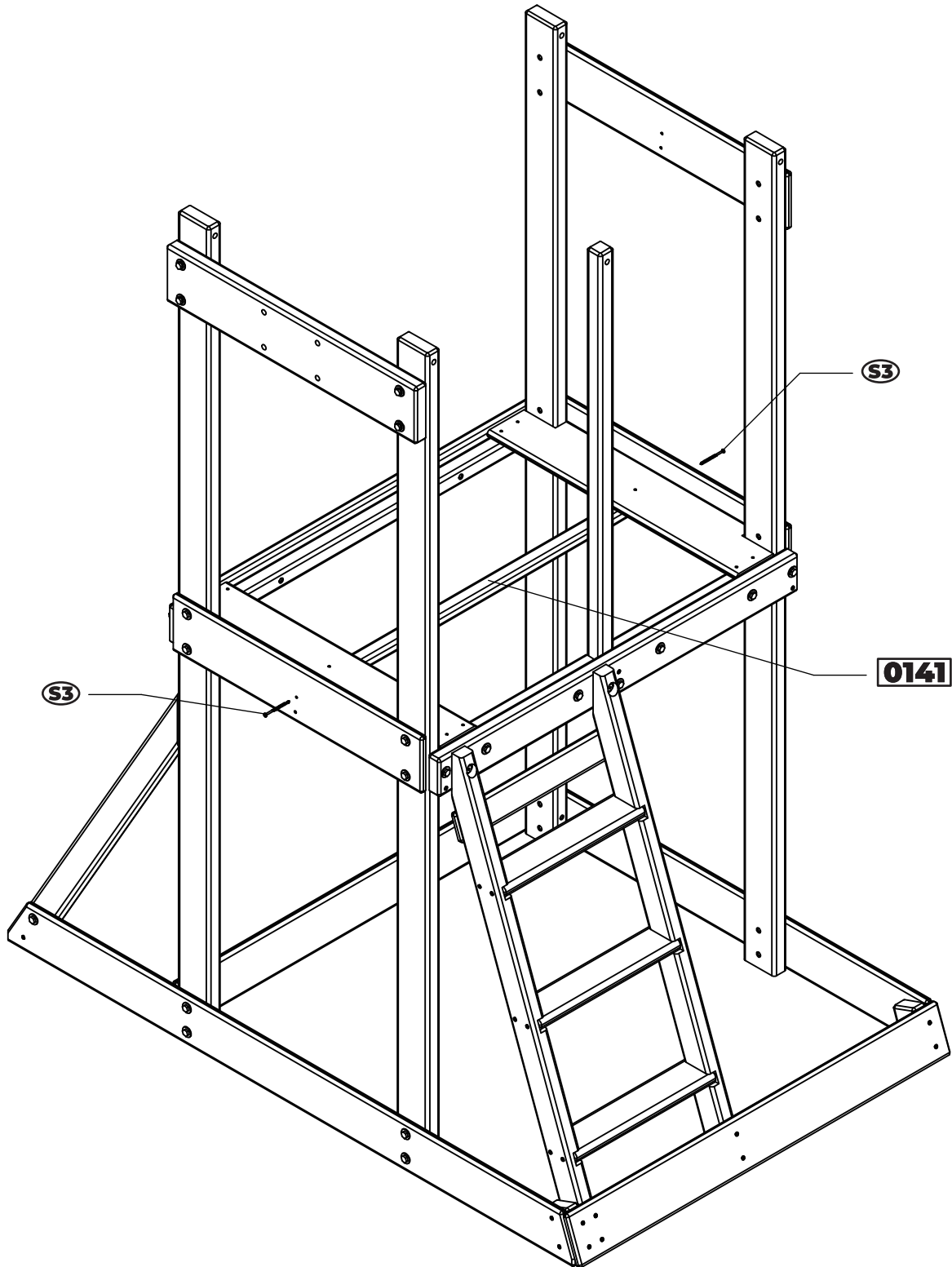


Wood Parts

Hardware

0141----- x1
1" x 1-3/8" x 38-1/2" (25 x 35 x 978mm)

S3 ----- x2
#8 x 2-1/2" (#8 x 64mm)



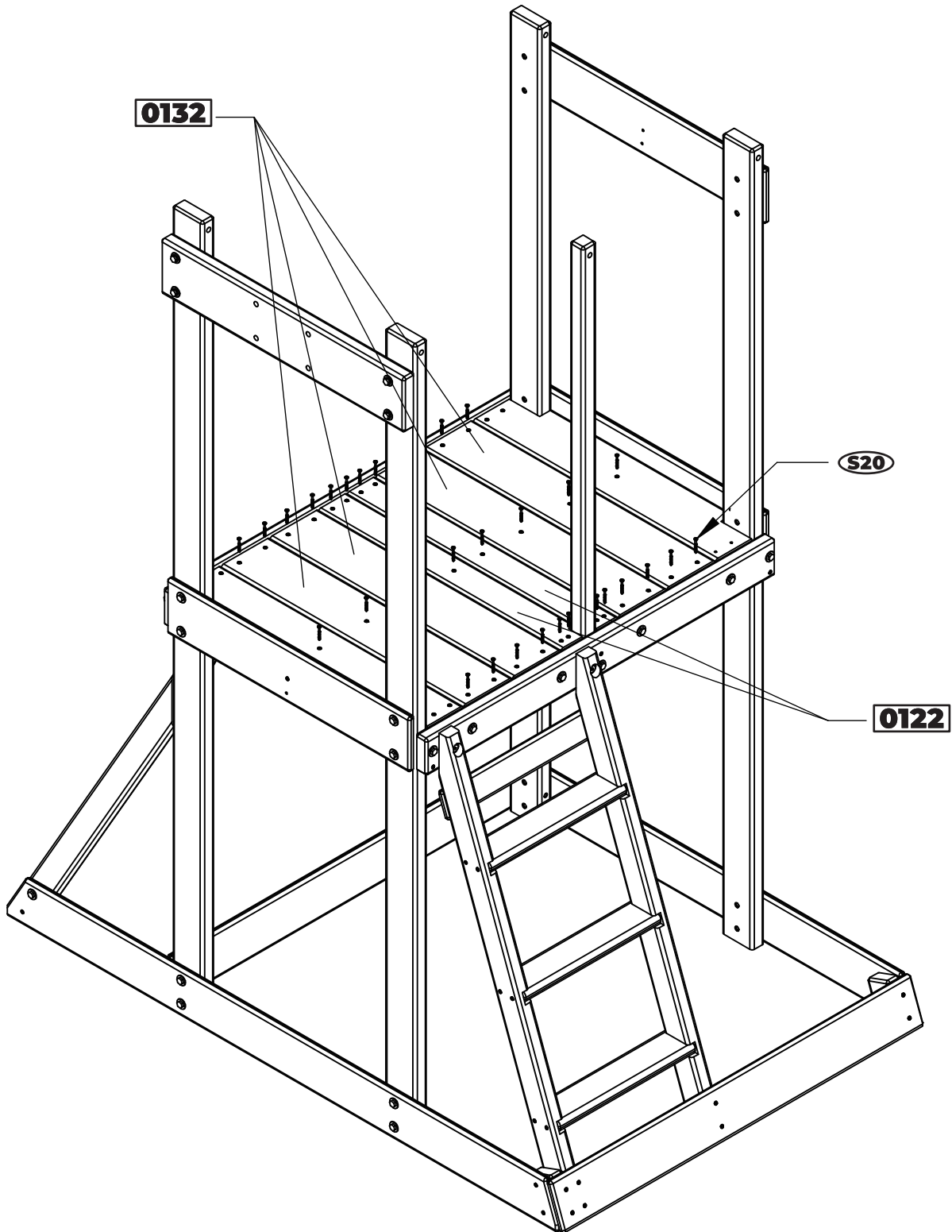
Wood Parts

Hardware

0122 ----- x2
5/8" x 3-1/8" x 26-3/4" (16 x 80 x 680mm)

0132 ----- x4
5/8" x 5-3/8" x 26-3/4" (16 x 137 x 680mm)

S20 ----- x32
#8 x 1-3/8" (#8 x 35mm)

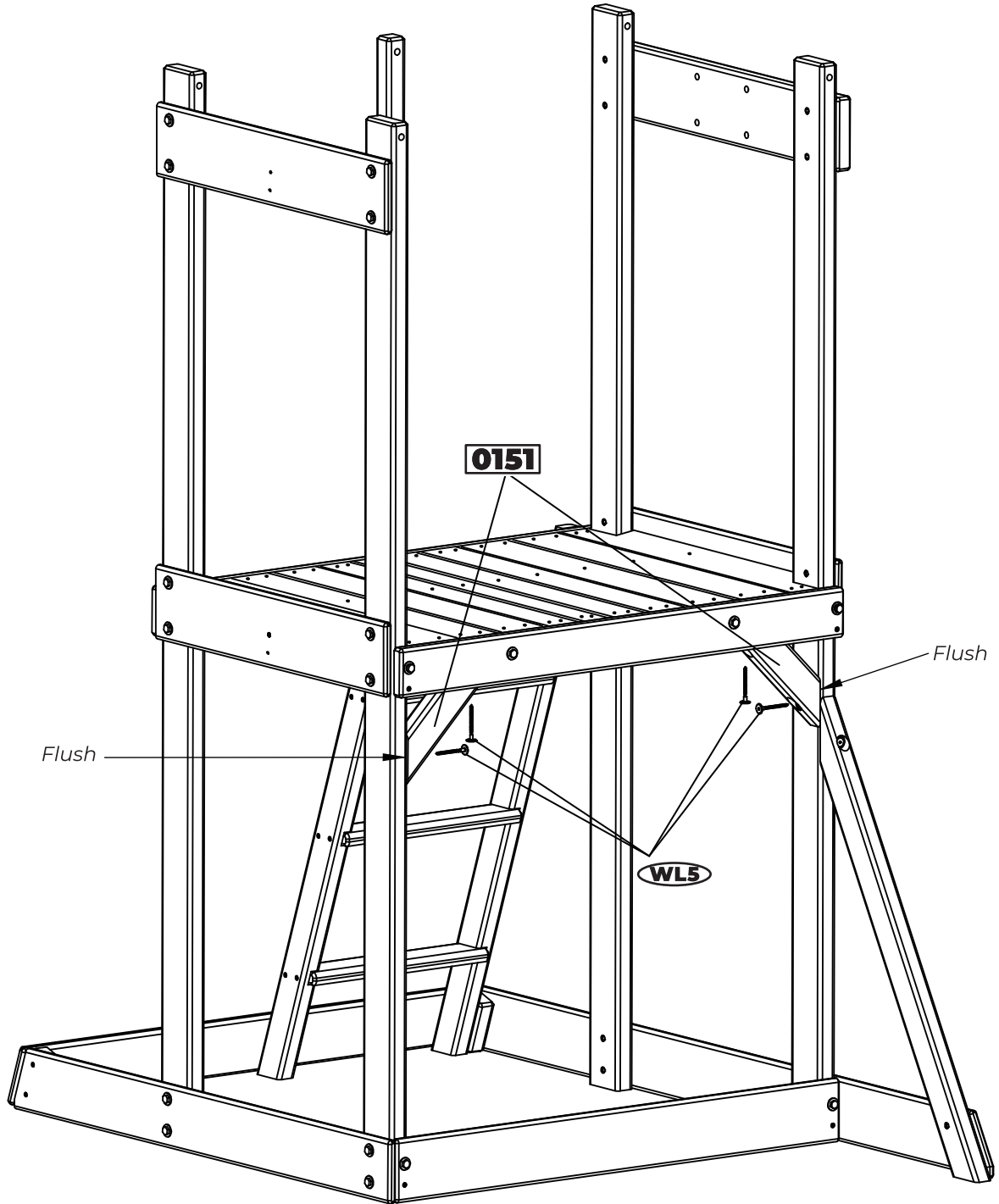


Wood Parts

Hardware

0151-----x2
1-3/8" x 2-1/2" x 11" (35 x 64 x 280mm)

WL5-----x4
1/4" x 2-1/2" (6 x 64mm)

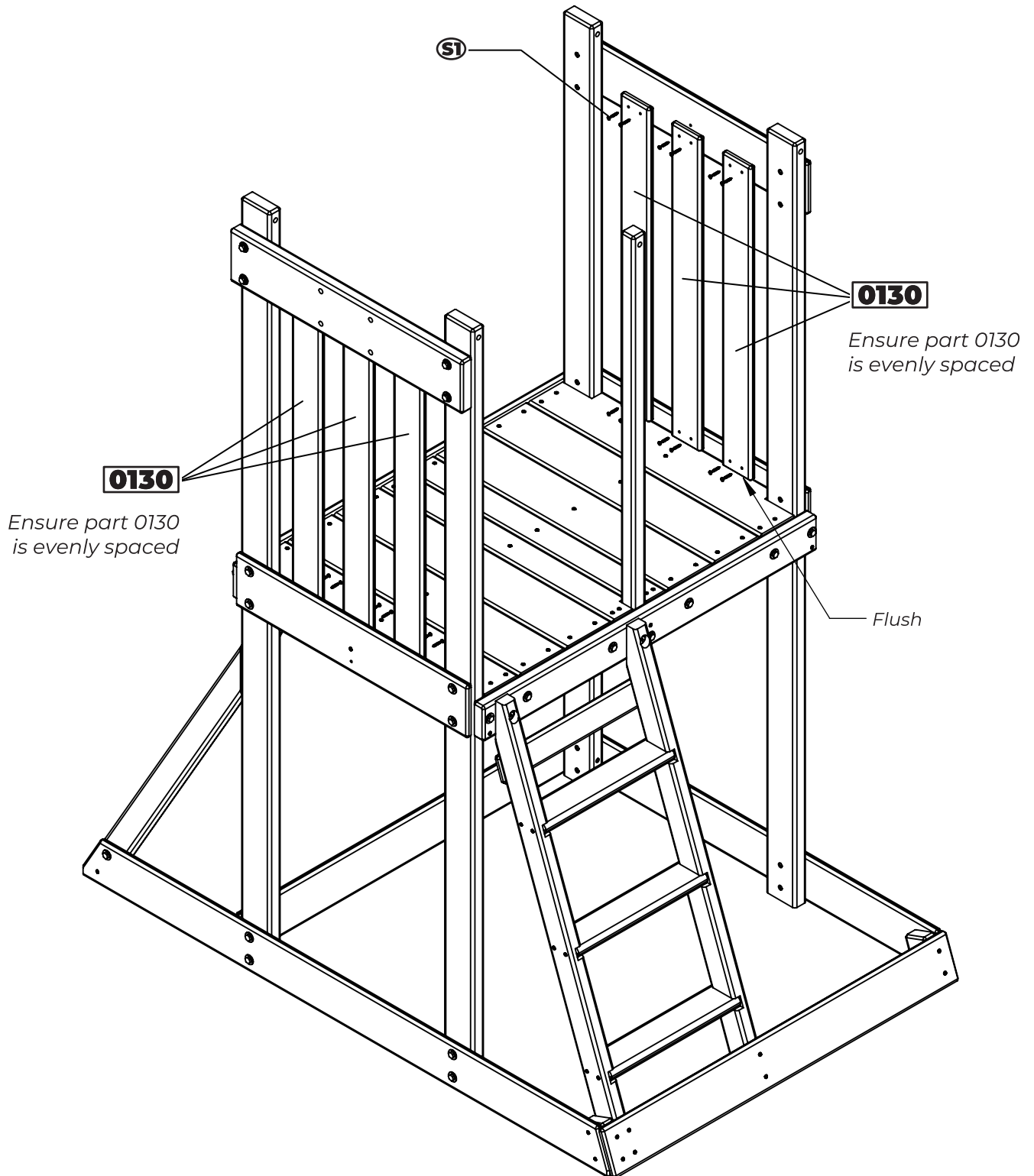


Wood Parts

0130 ----- x6
 5/8" x 3-3/8" x 31-1/2" (16 x 86 x 800mm)

Hardware

S1----- x24
 #8 x 1-1/8" (#8 x 29mm)

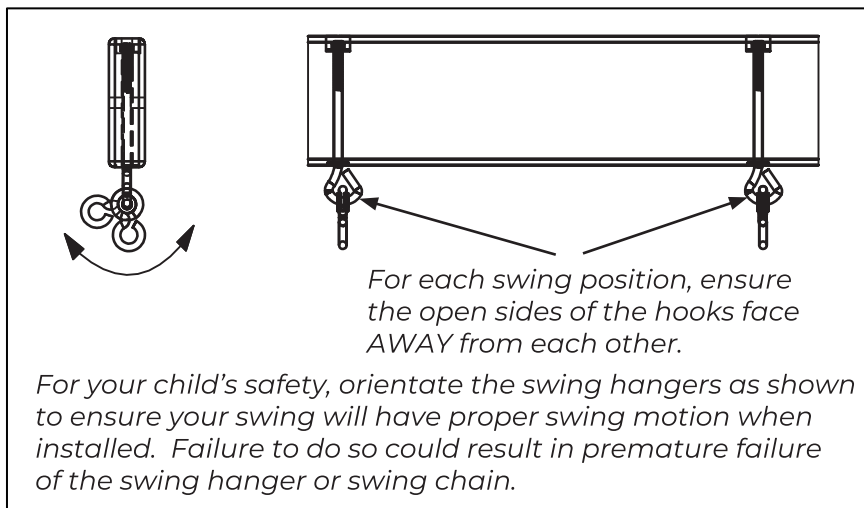
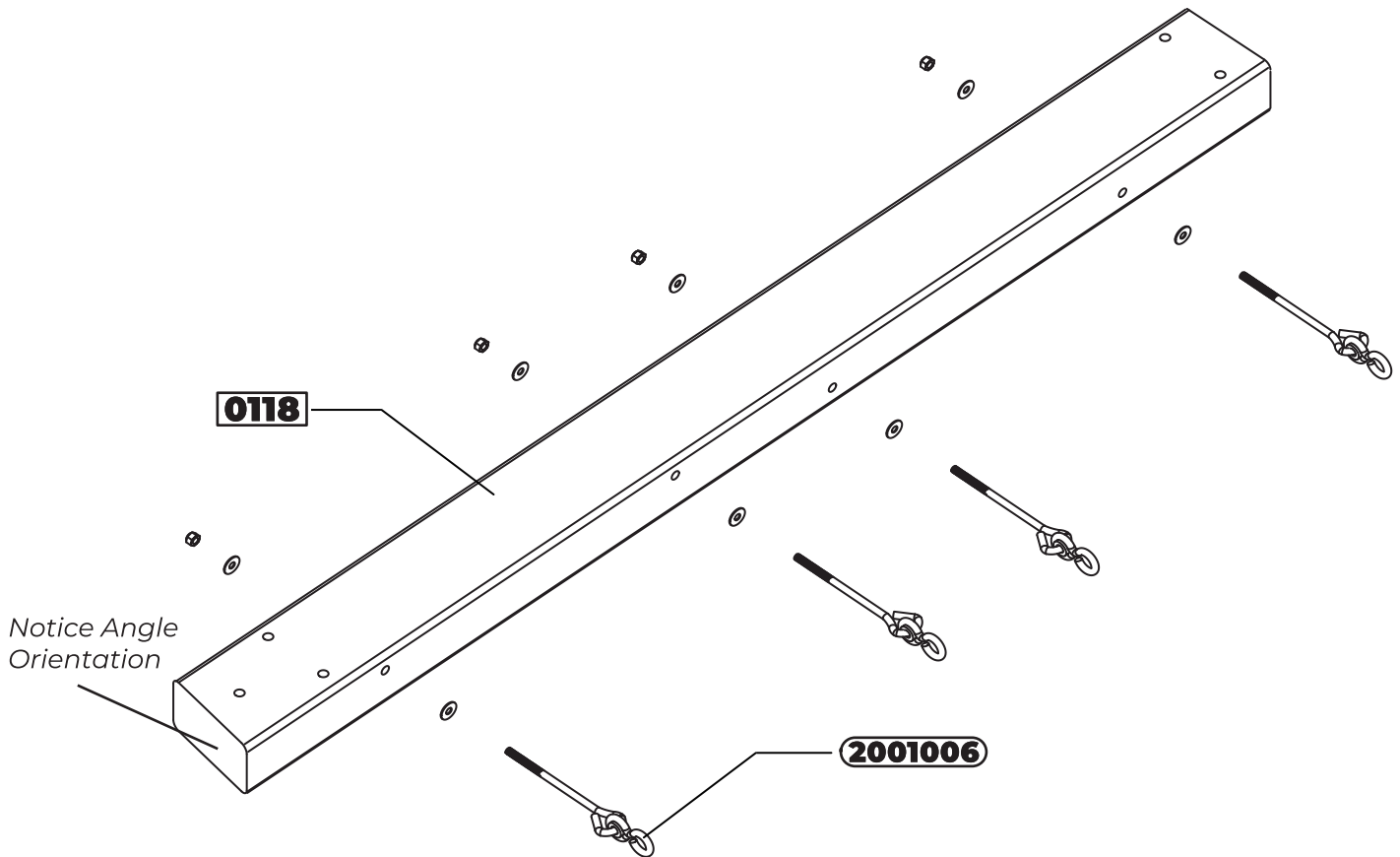


Wood Parts

0118----- x1
 2" x 5-1/4" x 62-1/4" (51 x 133 x 1581mm)

Accessories

2001006---x4



Hardware

S0 ----- **x4**
#8 x 7/8" (#8 x 22mm)

G36 ----- **x2**
5/16" x 2-3/4" (8 x 70mm)

FW2 ----- **x4**
5/16" (8mm)

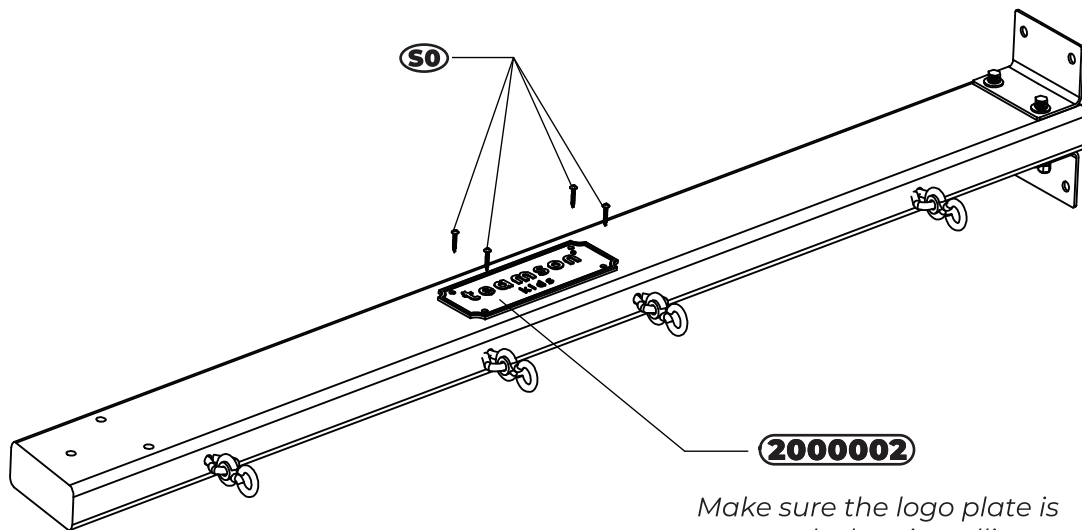
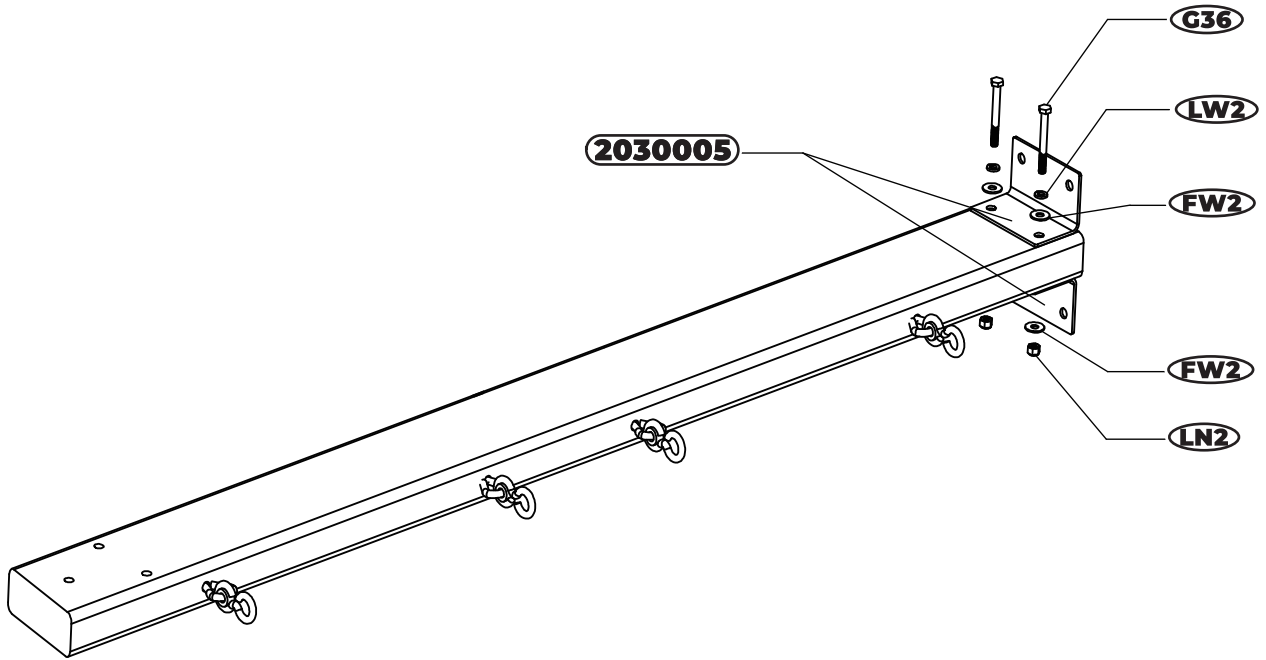
LW2 ----- **x2**
5/16" (8mm)

LN2 ----- **x2**
5/16" (8mm)

Accessories

2000002 -- **x1**

2030005 -- **x2**



Make sure the logo plate is centered when installing

Wood Parts

0119----- x1
 2" x 3" x 43-5/16" (51 x 76 x 1100mm)

Hardware

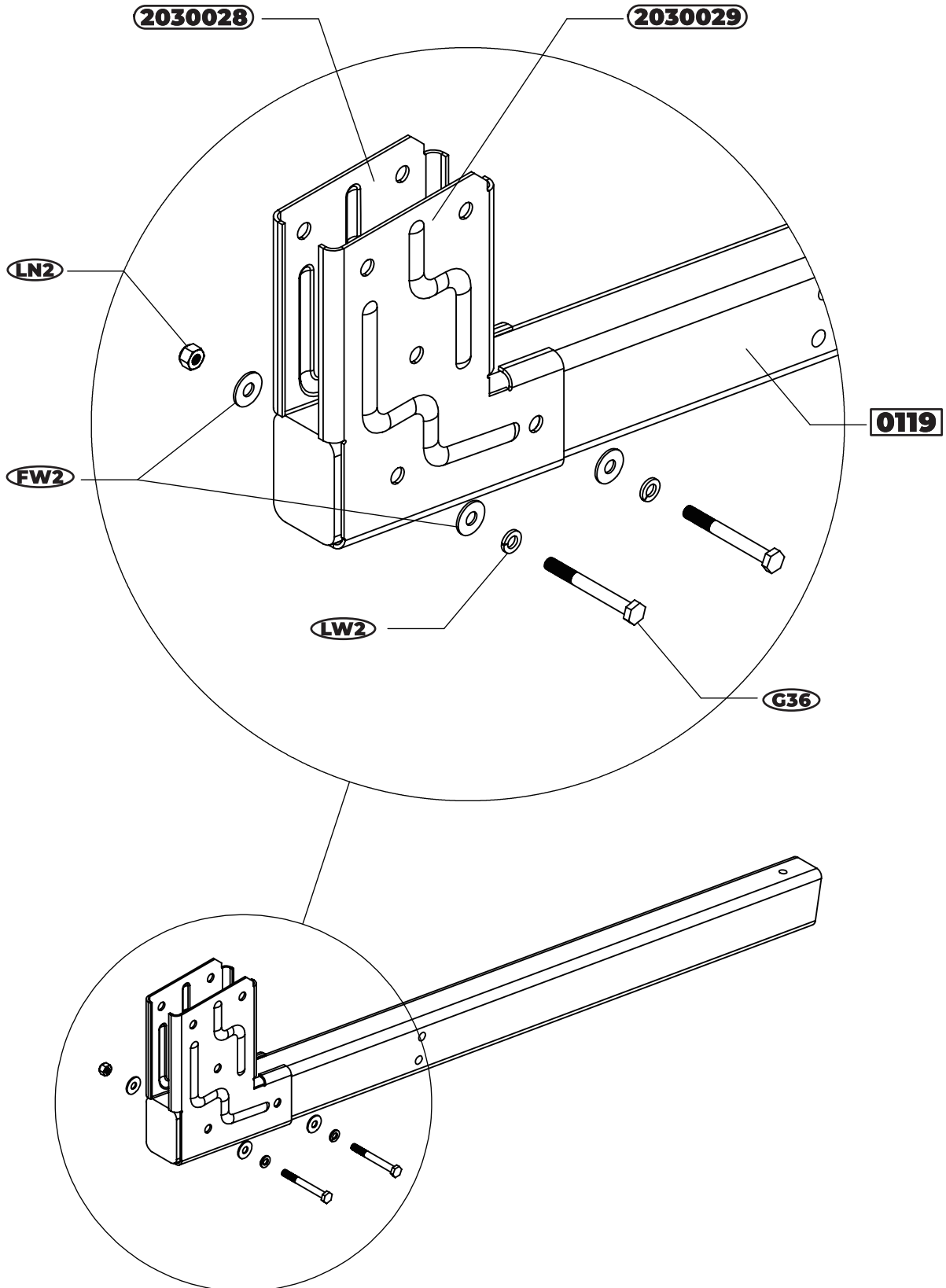
G36 ----- x2 **LW2 ----- x2**
 5/16" x 2-3/4" (8 x 70mm) 5/16" (8mm)

FW2 ----- x4 **LN2 ----- x2**
 5/16" (8mm) 5/16" (8mm)

Accessories

2030028 -- x1

2030029 -- x1



Wood Parts

0120 ----- x2
 2" x 3" x 69-5/8" (51 x 76 x 1768mm)

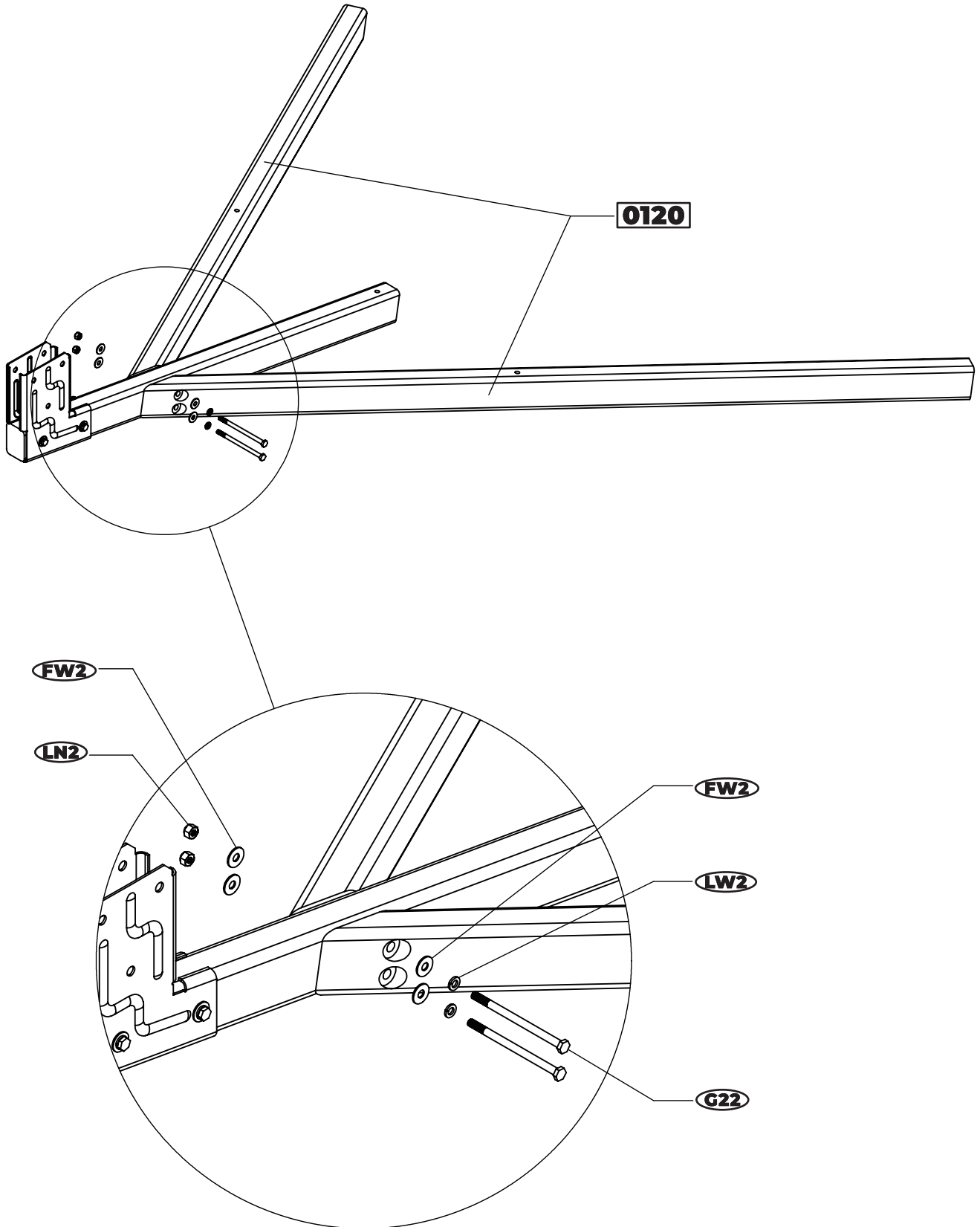
Hardware

G22 ----- x2
 5/16" x 5" (8 x 127mm)

LW2 ----- x2
 5/16" (8mm)

FW2 ----- x4
 5/16" (8mm)

LN2 ----- x2
 5/16" (8mm)



Wood Parts

0121----- x1
 1" x 3-1/4" x 34-1/8" (25 x 83 x 867mm)

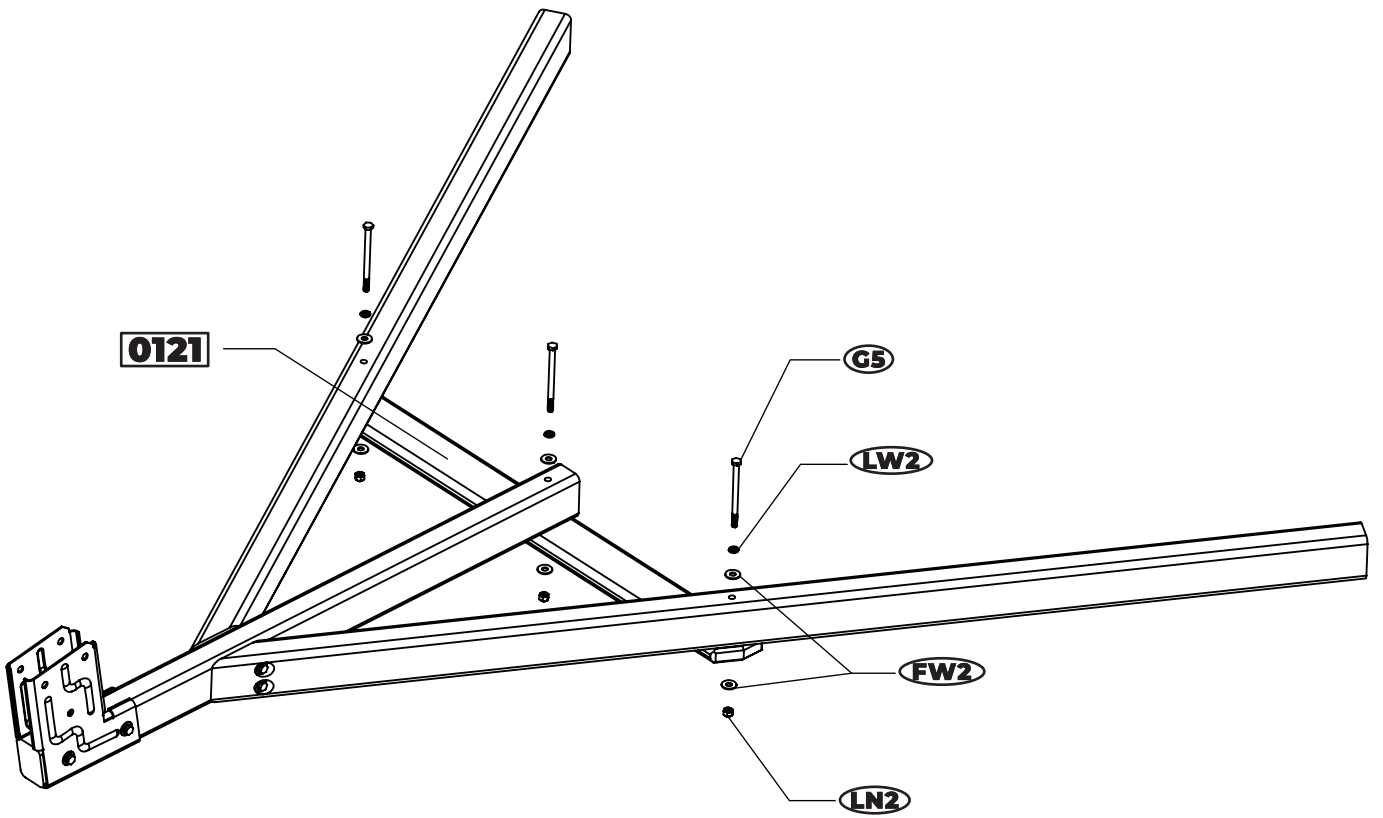
Hardware

G5----- x3
 5/16" x 4-1/2" (8 x 114mm)

LW2 ----- x3
 5/16" (8mm)

FW2 ----- x6
 5/16" (8mm)

LN2 ----- x3
 5/16" (8mm)



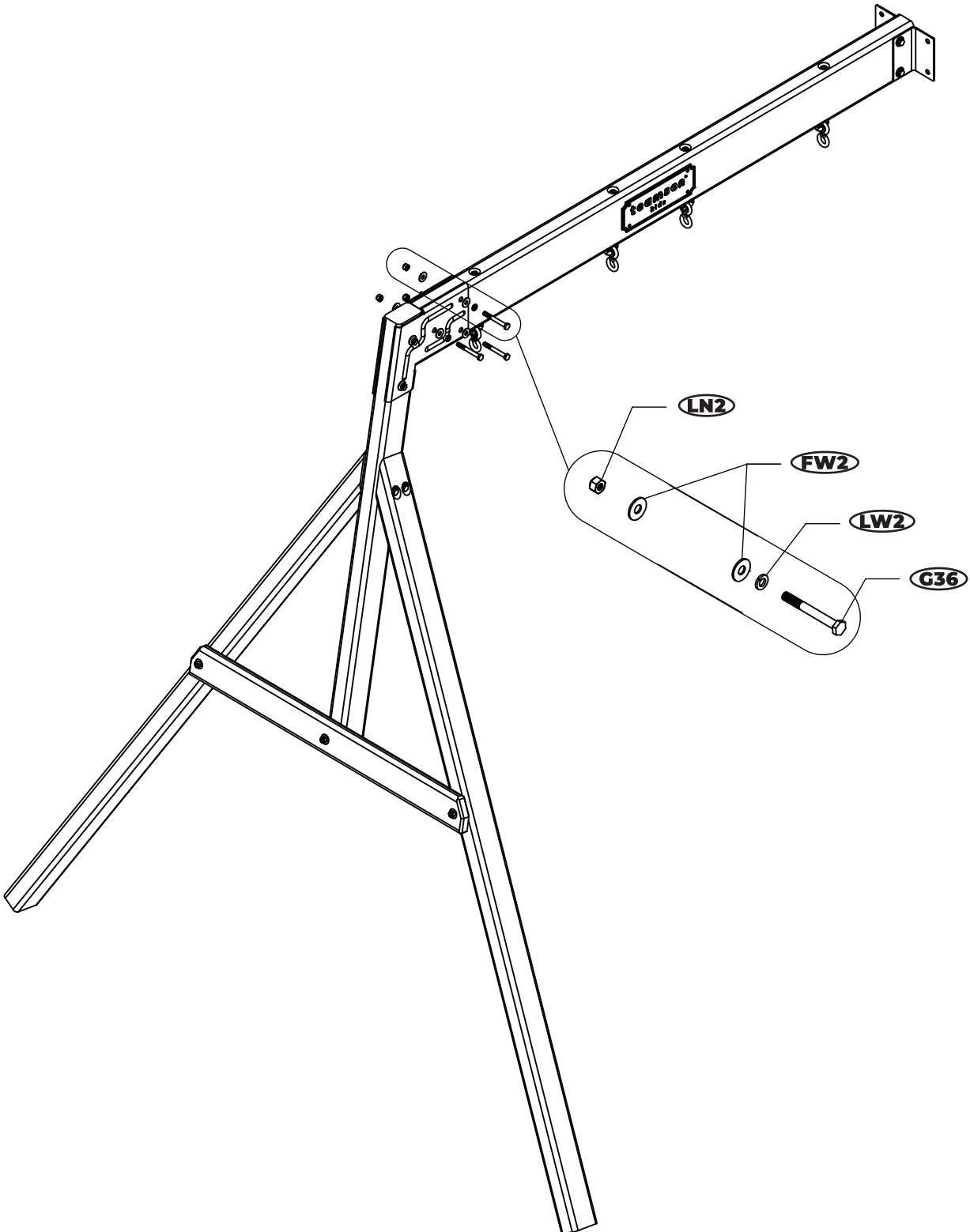
Hardware

G36 ----- **x3**
5/16" x 2-3/4" (8 x 70mm)

LW2 ----- **x3**
5/16" (8mm)

FW2 ----- **x6**
5/16" (8mm)

LN2 ----- **x3**
5/16" (8mm)



Hardware

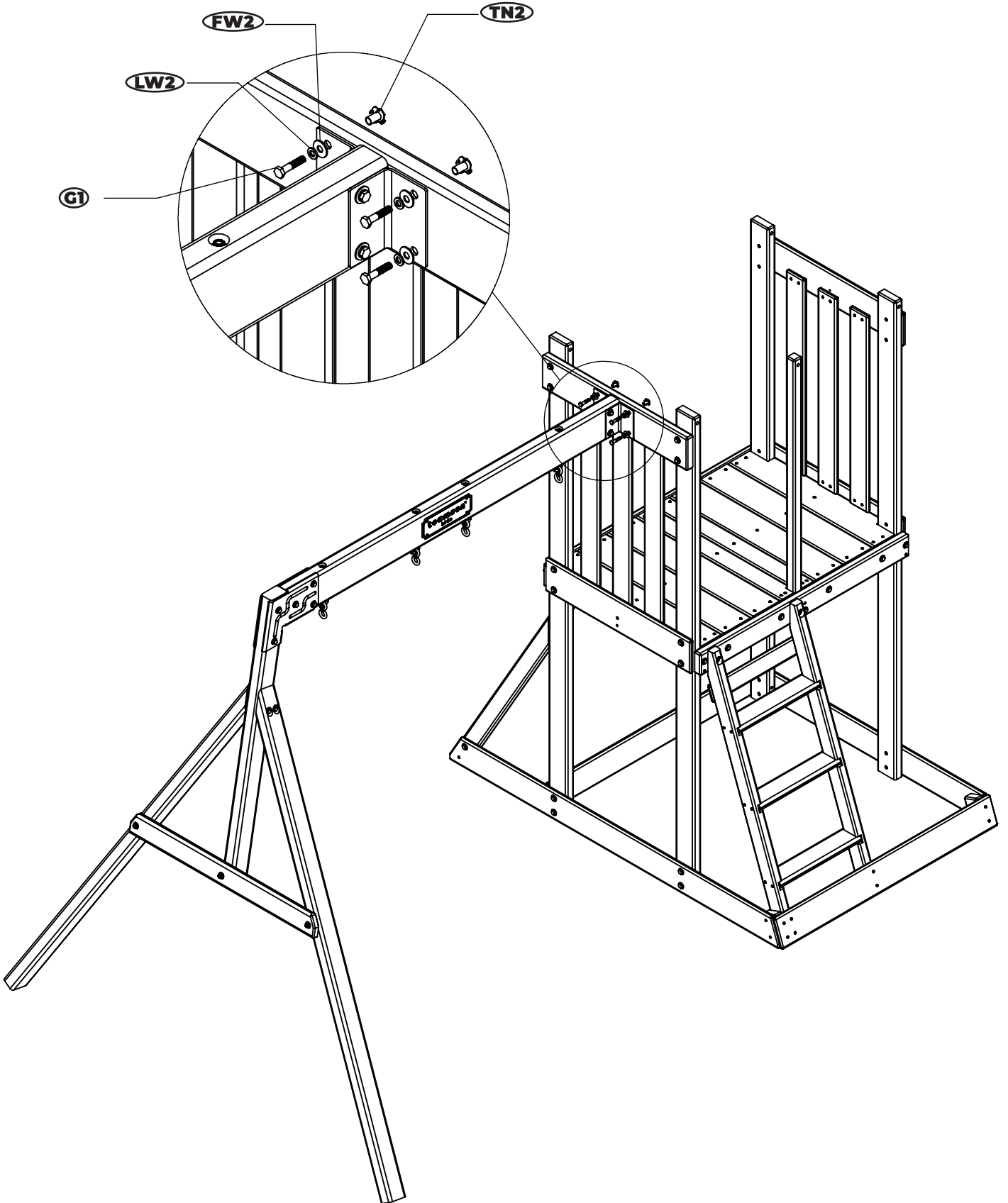
G1 ----- **x4**
5/16" x 1-1/2" (8 x 38mm)

LW2 ----- **x4**
5/16" (8mm)

FW2 ----- **x4**
5/16" (8mm)

TN2 ----- **x4**
5/16" (8mm)

Assemble T-Nuts first with hammer!



Wood Parts

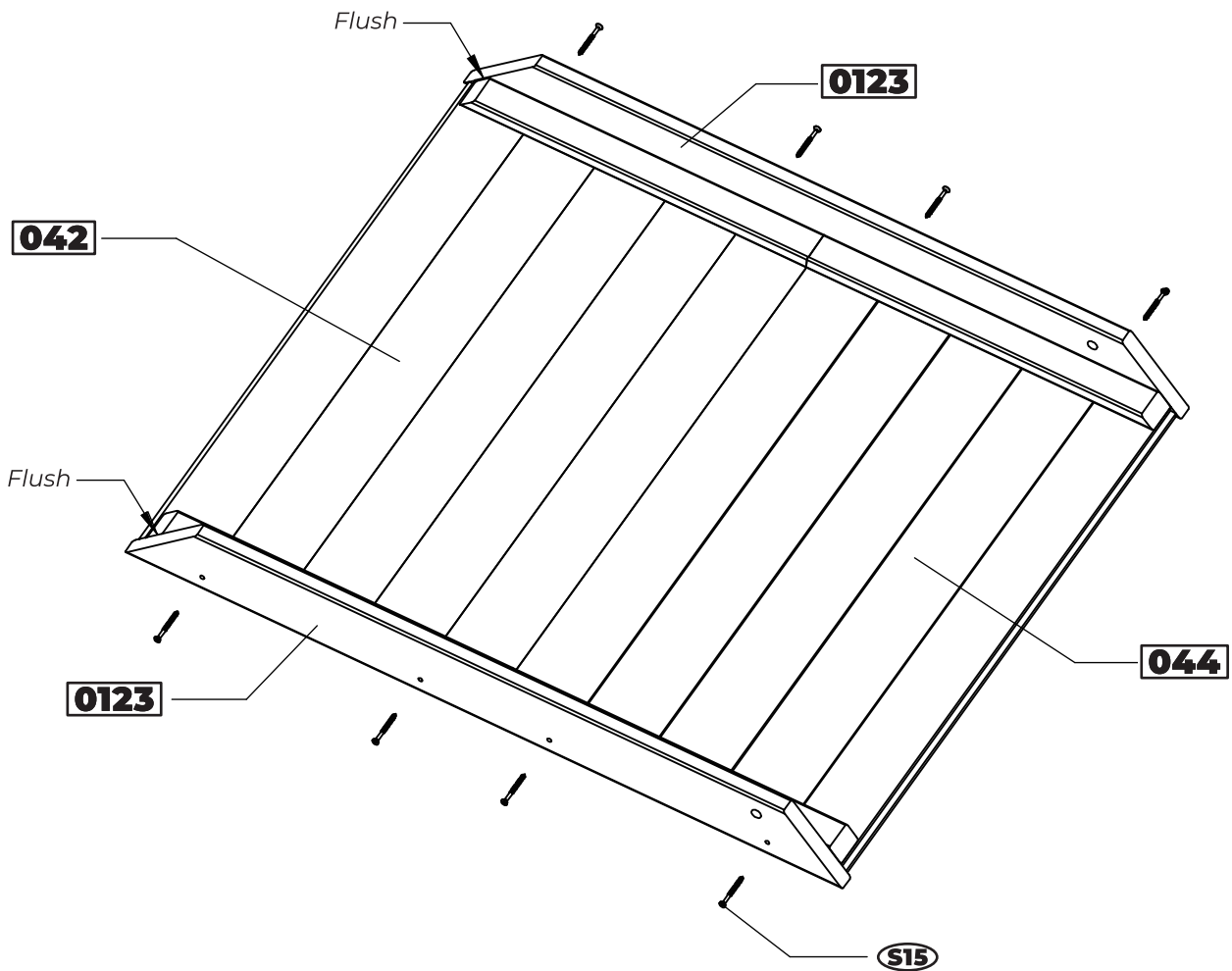
0123 ----- x2
 3/4" x 3" x 32-15/16" (19 x 76 x 836mm)

044 ----- x1
 1-1/8" x 16-1/4" x 28-5/16" (28 x 413 x 718mm)

042 ----- x1
 1-1/8" x 16-7/16" x 28-5/16" (29 x 417 x 718mm)

Hardware

S15 ----- x8
 #8 x 1-3/4" (#8 x 44mm)



Wood Parts

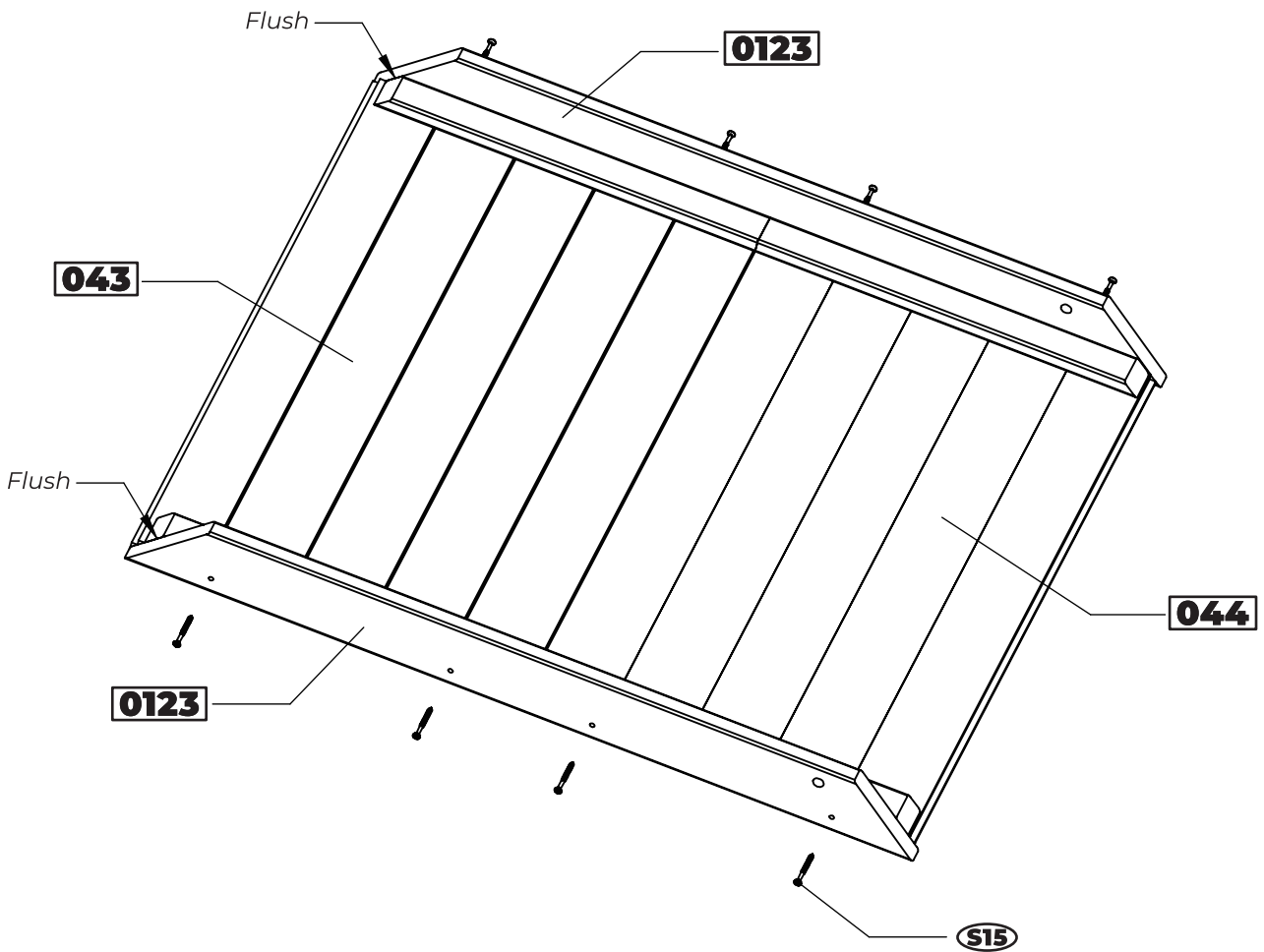
0123 ----- **x2**
 3/4" x 3" x 32-15/16" (19 x 76 x 836mm)

044 ----- **x1**
 1-1/8" x 16-1/4" x 28-5/16" (28 x 413 x 718mm)

043 ----- **x1**
 1-1/8" x 16-5/8" x 28-5/16" (29 x 422 x 718mm)

Hardware

S15 ----- **x8**
 #8 x 1-3/4" (#8 x 44mm)



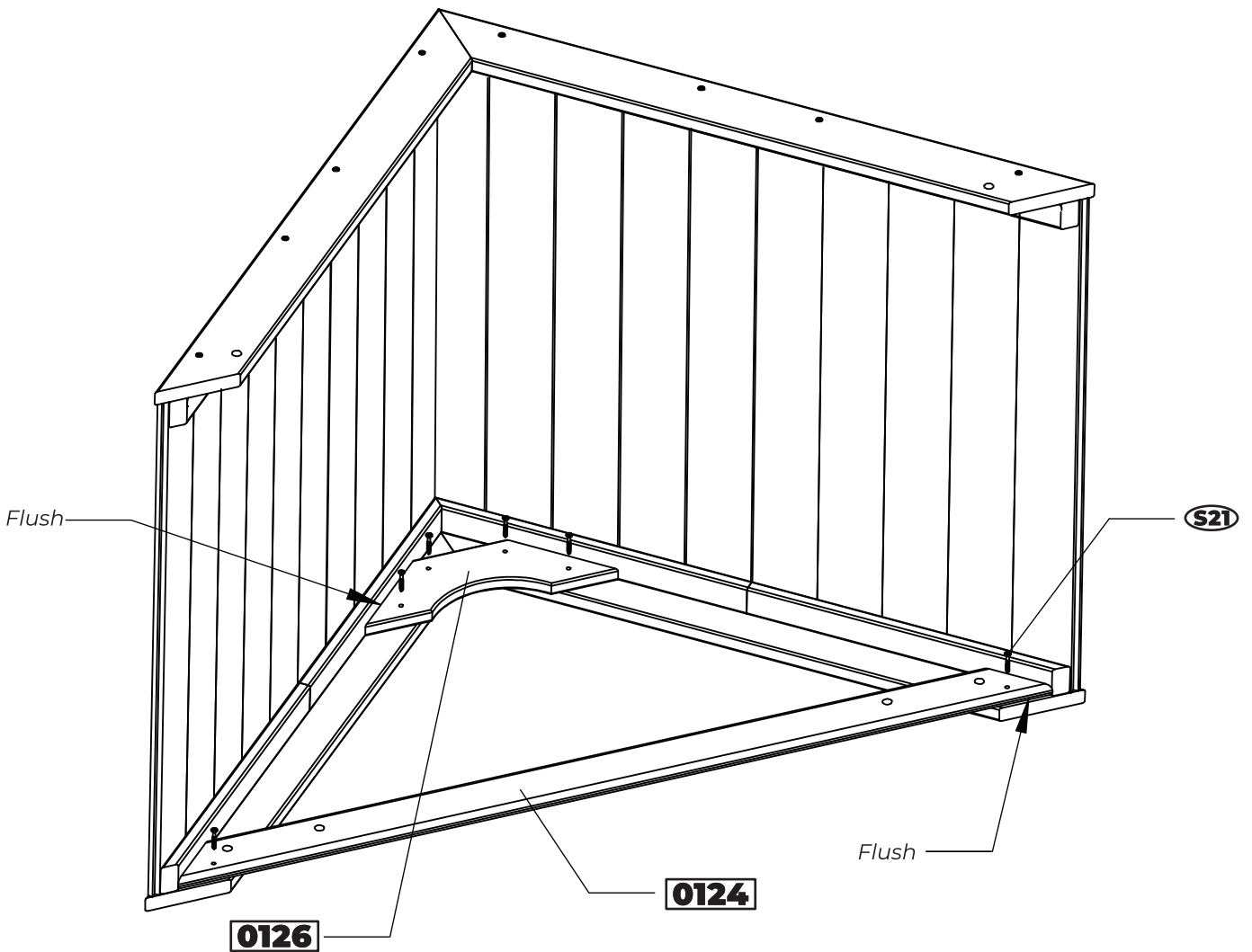
Wood Parts

Hardware

0124 ----- **x1**
5/8" x 2-1/2" x 43-5/16" (16 x 64 x 1100mm)

0126 ----- **x1**
5/8" x 4" x 12-1/2" (16 x 102 x 318mm)

S21 ----- **x6**
#8 x 1" (#8 x 25mm)



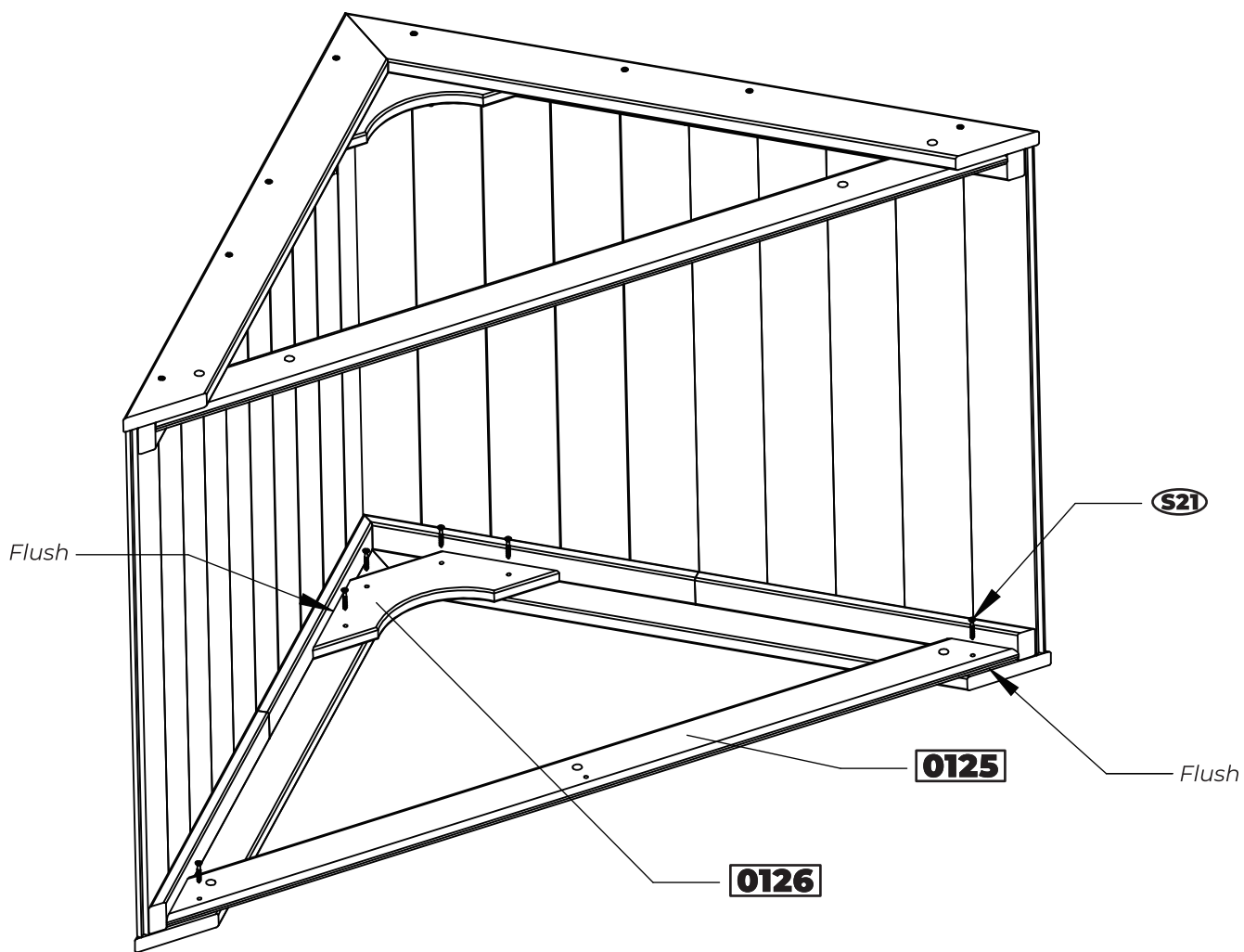
Wood Parts

Hardware

0125 ----- x1
5/8" x 2-1/2" x 43-5/16" (16 x 64 x 1100mm)

0126 ----- x1
5/8" x 4" x 12-1/2" (16 x 102 x 318mm)

S21 ----- x6
#8 x 1" (#8 x 25mm)



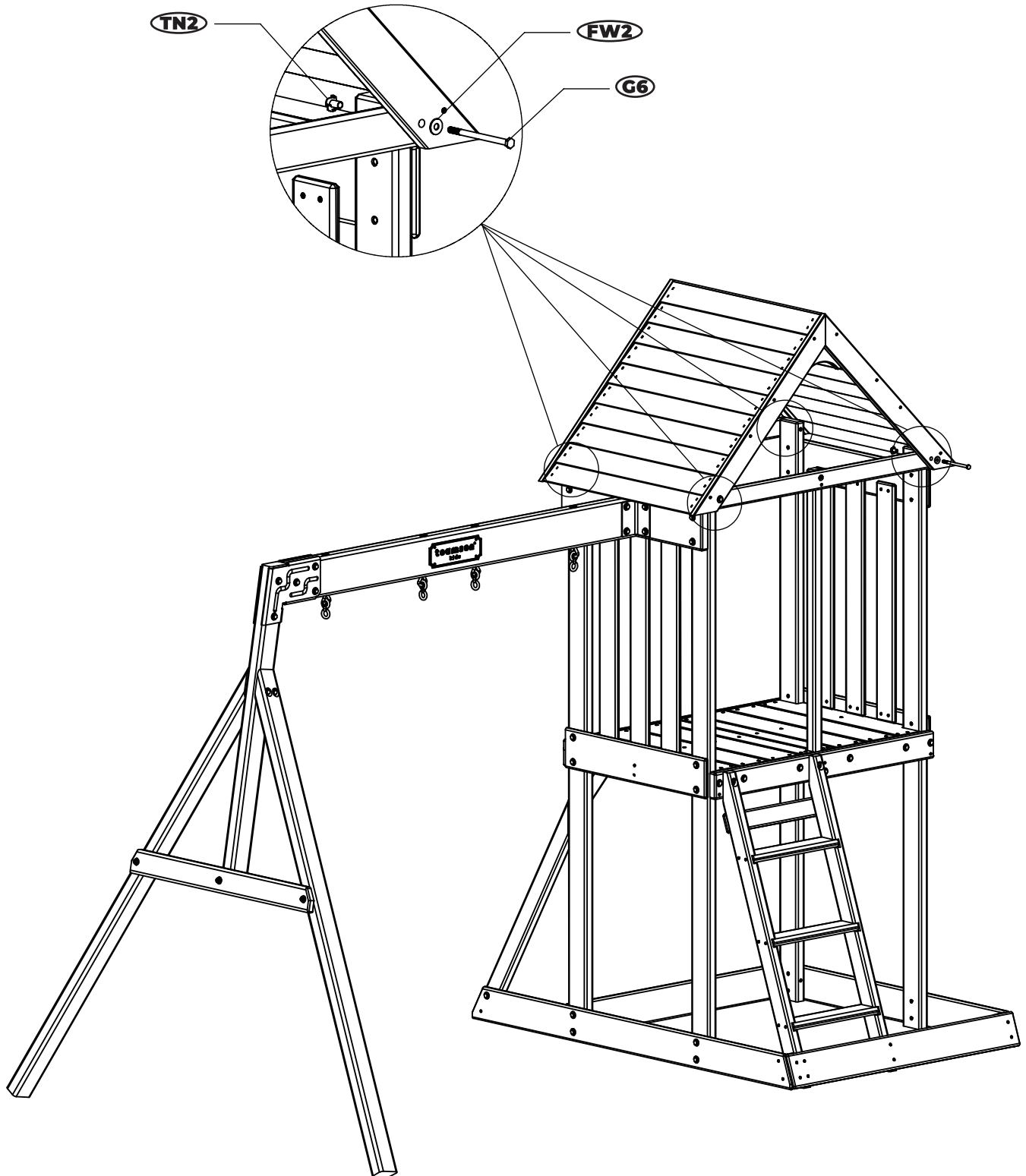
Hardware

G6-----x4
5/16" x 4-3/4" (8 x 121mm)

FW2-----x4
5/16" (8mm)

TN2-----x4
5/16" (8mm)

Assemble T-Nuts first with hammer!



Hardware

S20 ----- x1
#8 x 1-3/8" (#8 x 35mm)

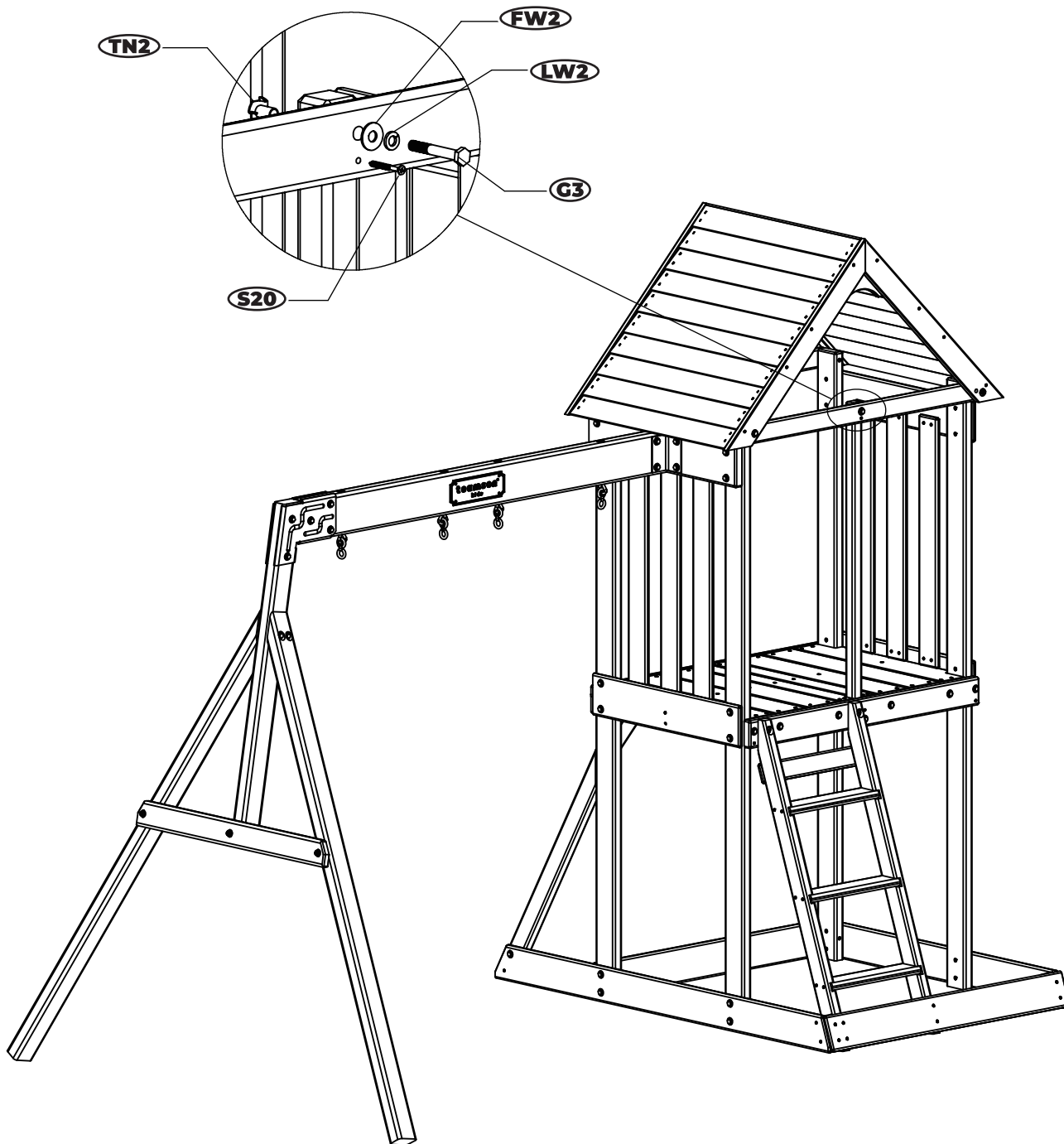
G3----- x1
5/16" x 2-1/4" (8 x 57mm)

FW2----- x1
5/16" (8mm)

LW2 ----- x1
5/16" (8mm)

TN2 ----- x1
5/16" (8mm)

Assemble T-Nuts first with hammer!



Wood Parts

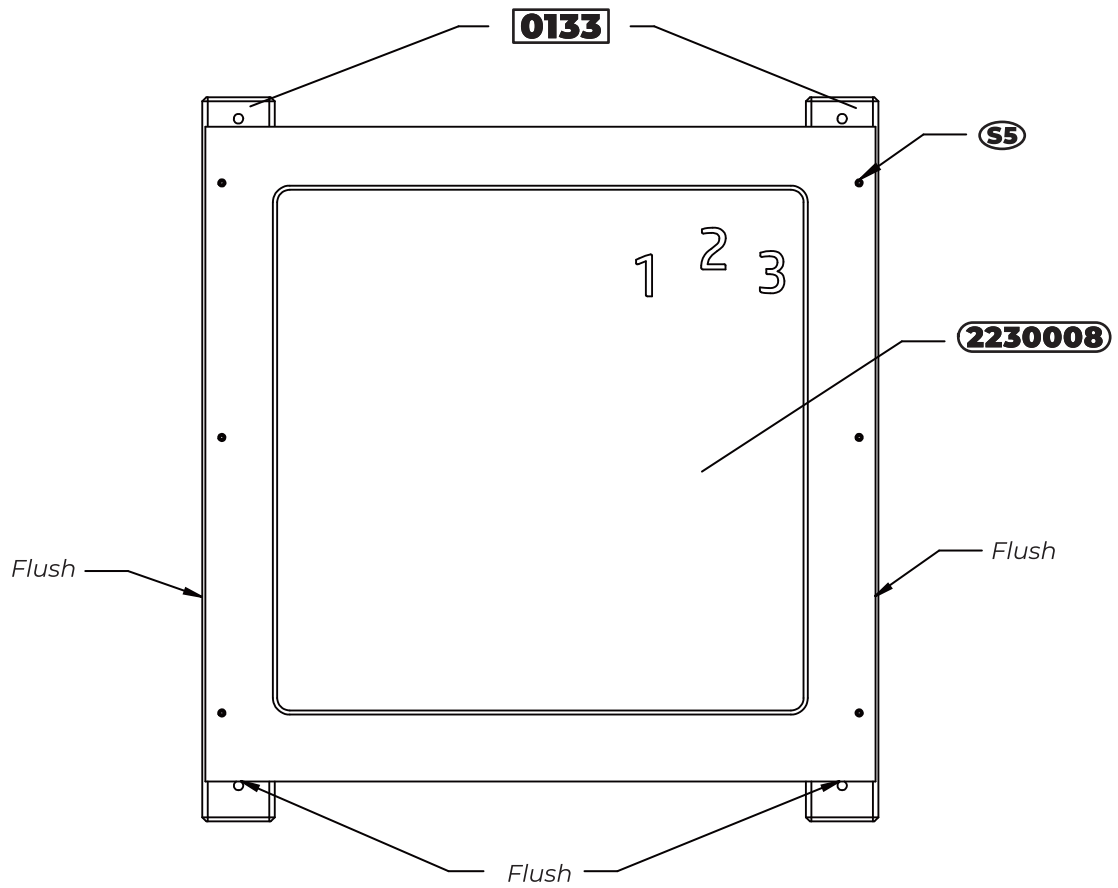
0133 ----- x2
 5/8" x 3-3/8" x 34-1/8" (16 x 86 x 866mm)

Hardware

S5 ----- x6
 #8 x 1/2" (#8 x 13mm)

Accessories

2230008 -- x1



Note: Align the holes on part 0133 with the bottom edge of the board. Make sure the edges are flush.

Wood Parts

0137 ----- **x1**
 5/8" x 3-3/8" x 38-5/8" (16 x 86 x 981mm)

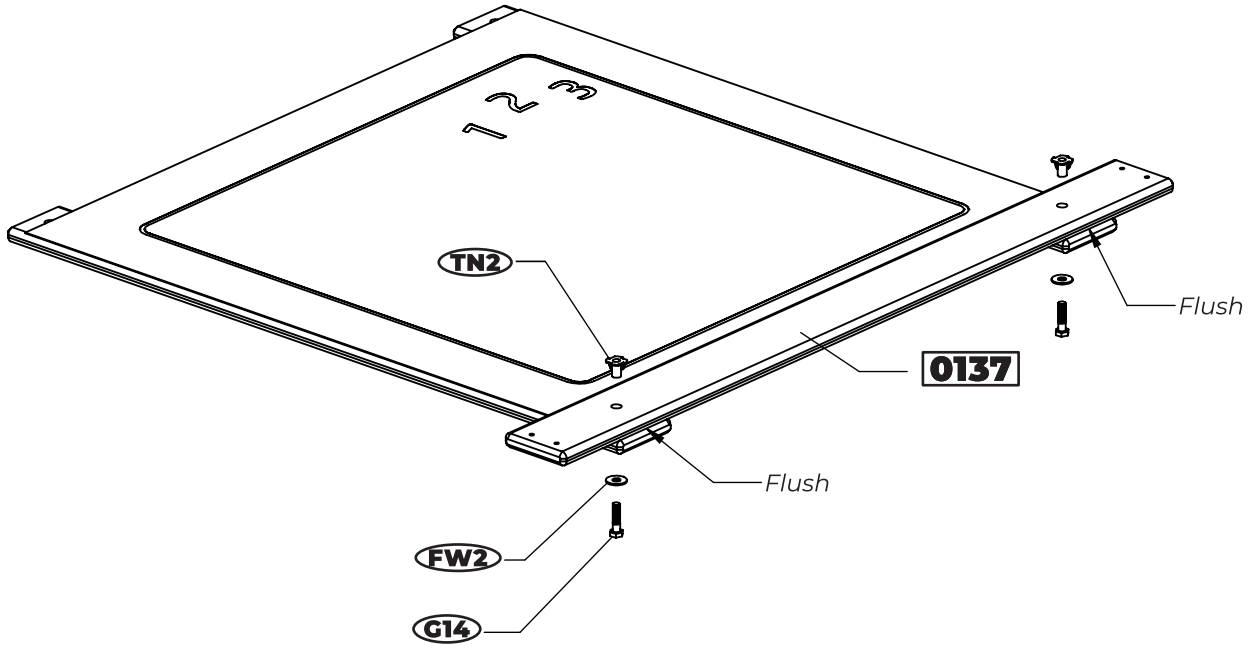
Hardware

G14 ----- **x2**
 5/16" x 1-1/4" (8 x 32mm)

FW2 ----- **x2**
 5/16" (8mm)

TN2 ----- **x2**
 5/16" (8mm)

Assemble T-Nuts first with hammer!



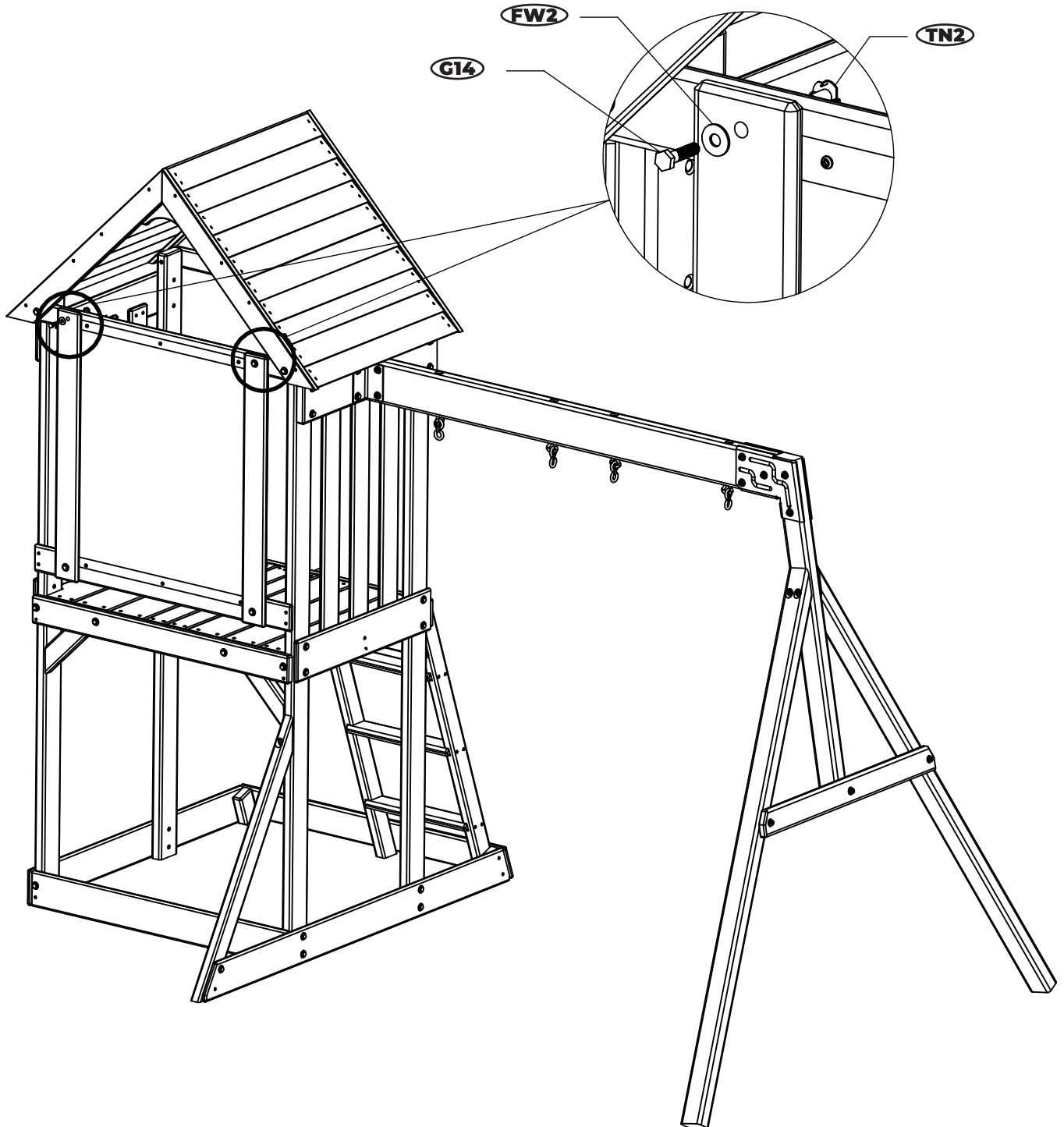
Hardware

G14 ----- **x2**
5/16" x 1-1/4" (8 x 32mm)

FW2 ----- **x2**
5/16" (8mm)

TN2 ----- **x2**
5/16" (8mm)

Assemble T-Nuts first with hammer!



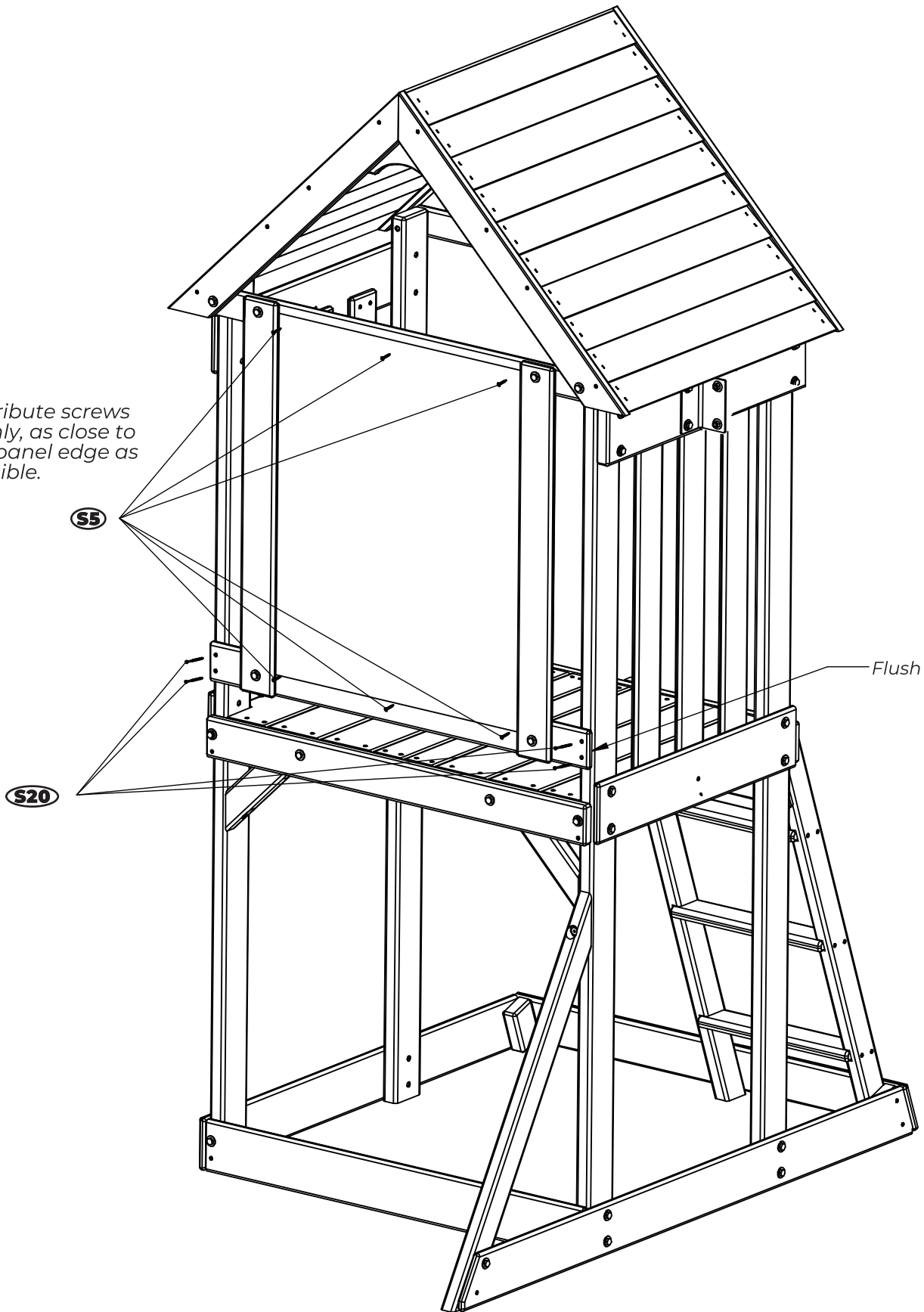
Hardware

S5 ----- **x6**
#8 x 1/2" (#8 x 13mm)

S20 ----- **x4**
#8 x 1-3/8" (#8 x 35mm)



Distribute screws evenly, as close to the panel edge as possible.

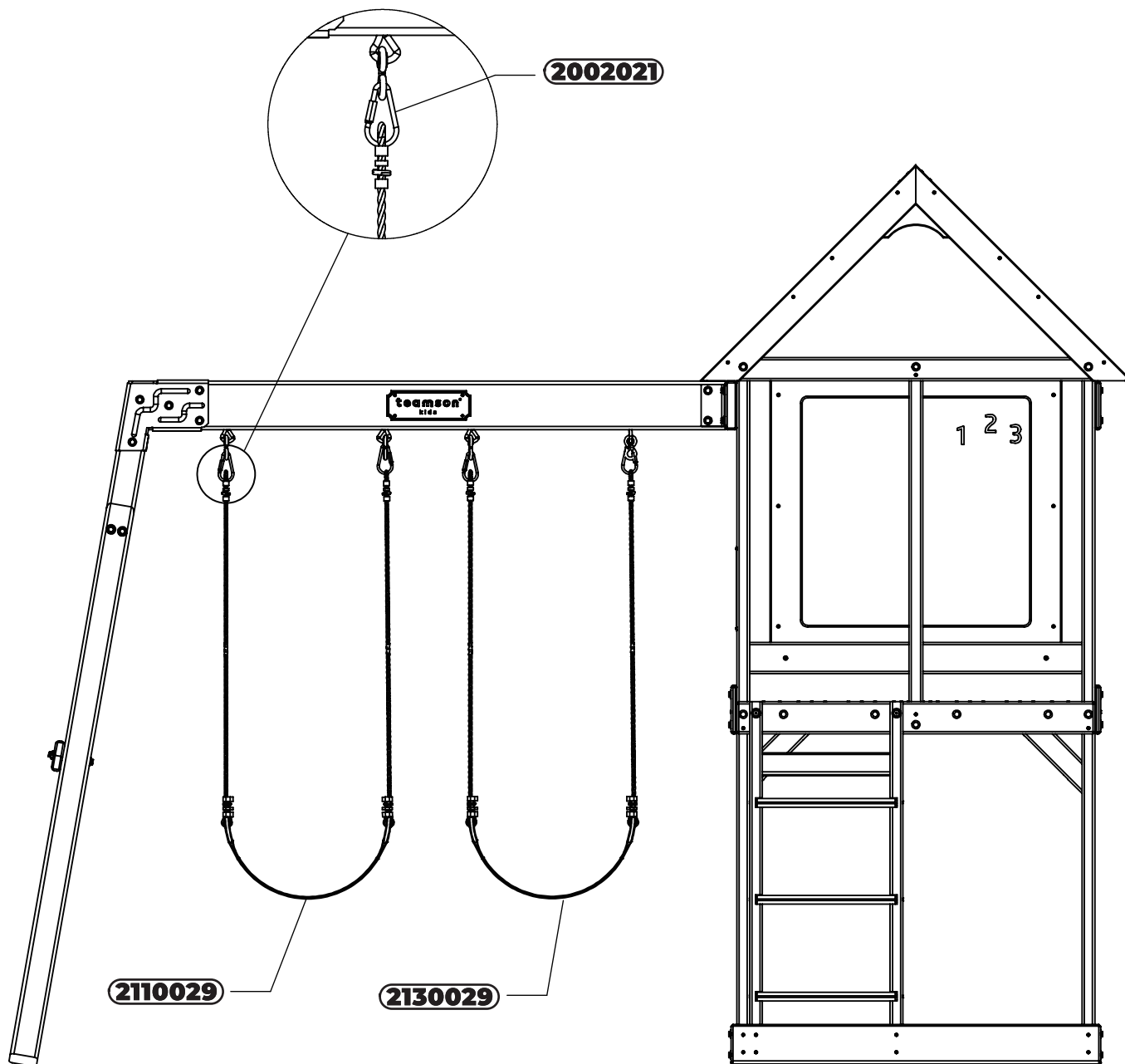


Accessories

2110029---- x1
38-9/16" (980mm)

2130029 --- x1
38-9/16" (980mm)

2002021 ---x4

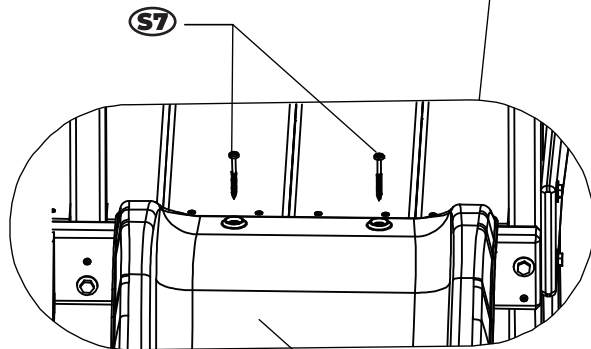


Hardware

S7 ----- **x2**
#12 x 2" (#12 x 51mm)

Accessories

2130020 --- **x1**
70-1/4" (1785mm)



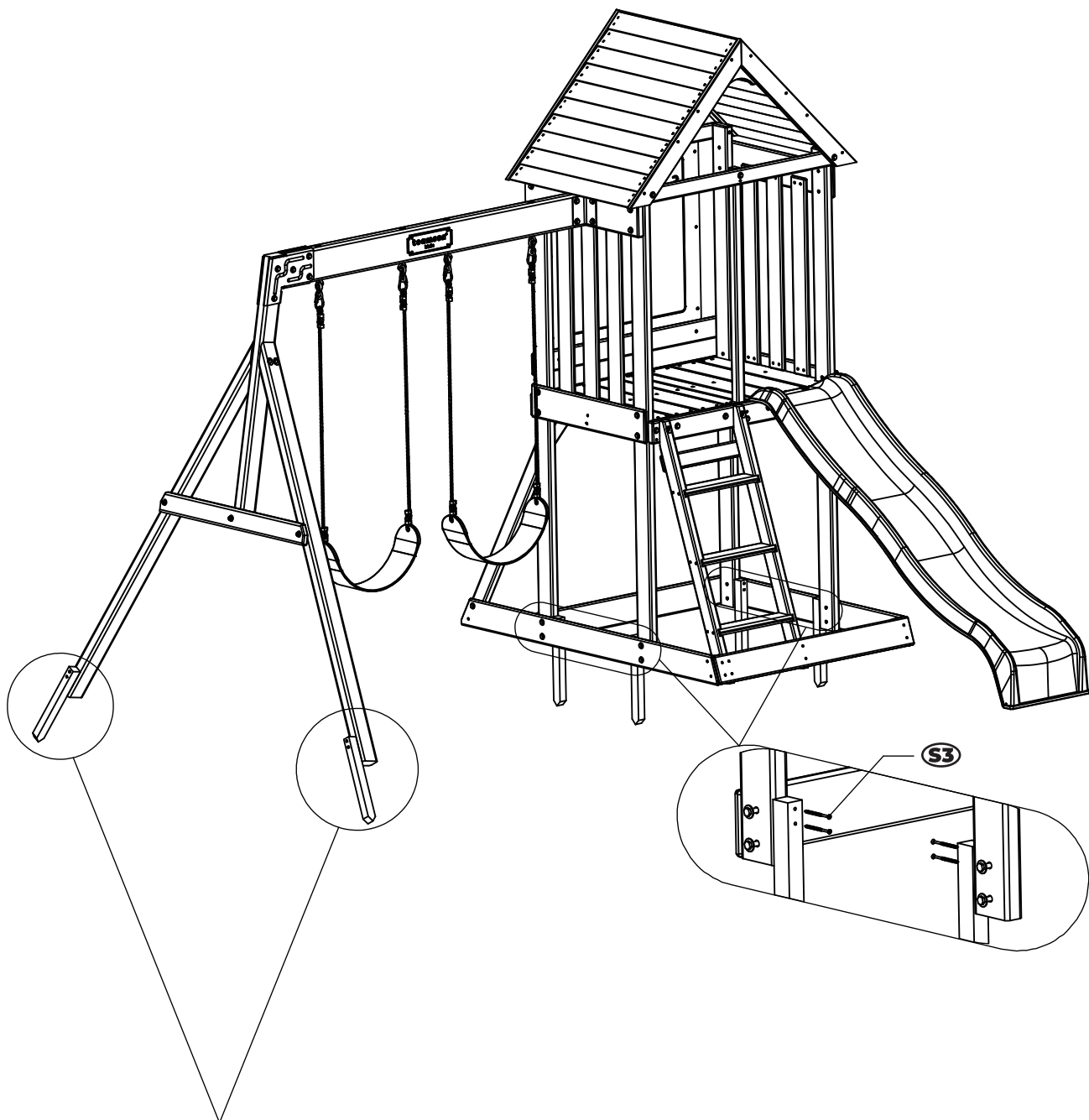
2130020

Hardware

Accessories

S3 -----x12
#8 x 2-1/2" (#8 x 64mm)

2004016---x6



S3

10 1/2"
[267mm]

2004016

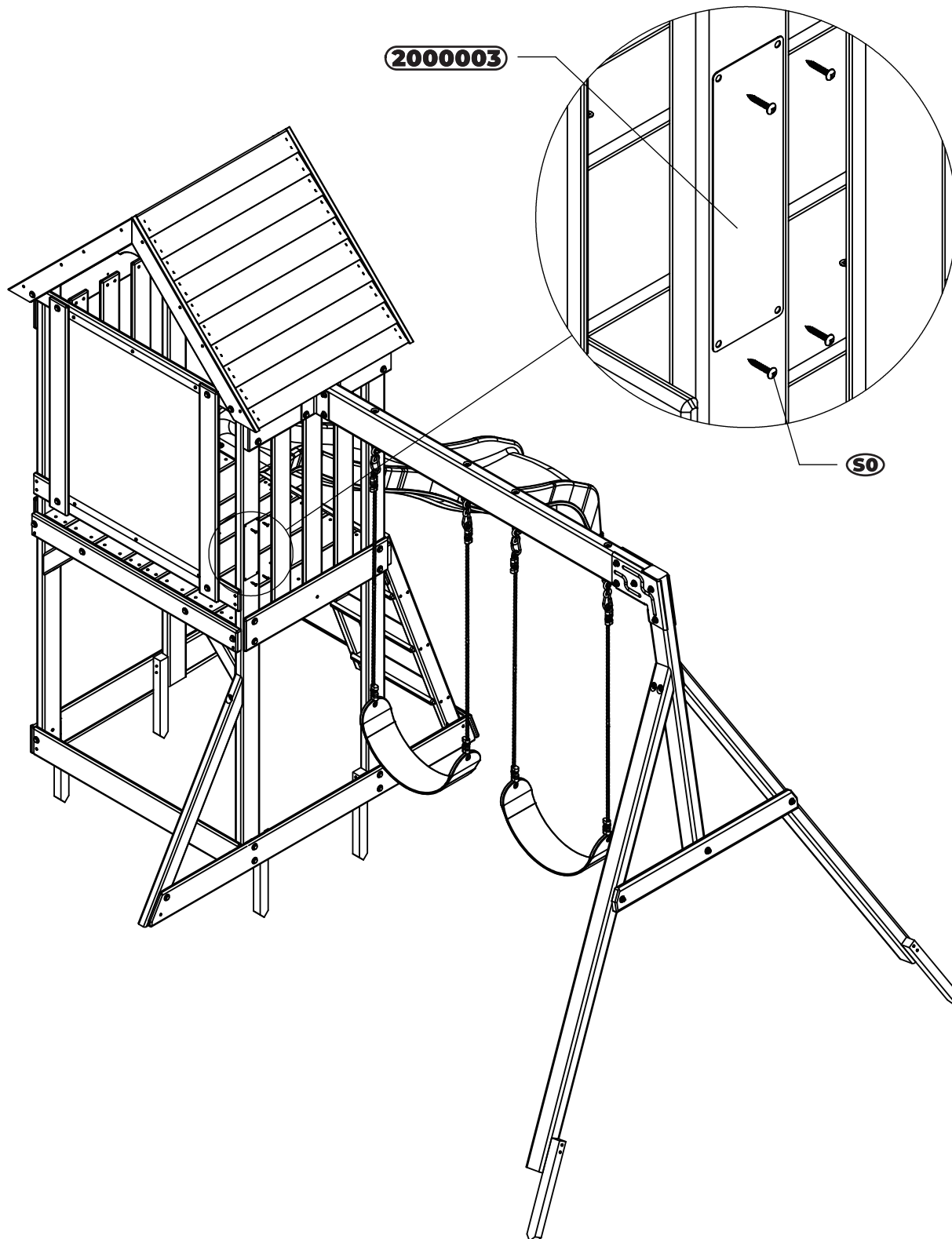
check first for under-ground wiring, cables or gas lines. Warning! To prevent tipping and avoid potential injury, stakes must be driven 10 1/2" (266.7mm) into ground. Digging or driving stakes can be dangerous if you do not

Hardware

Accessories

S0 -----x4
#8 x 7/8" (#8 x 22mm)

2000003 -- x1



2262009 -- x1

