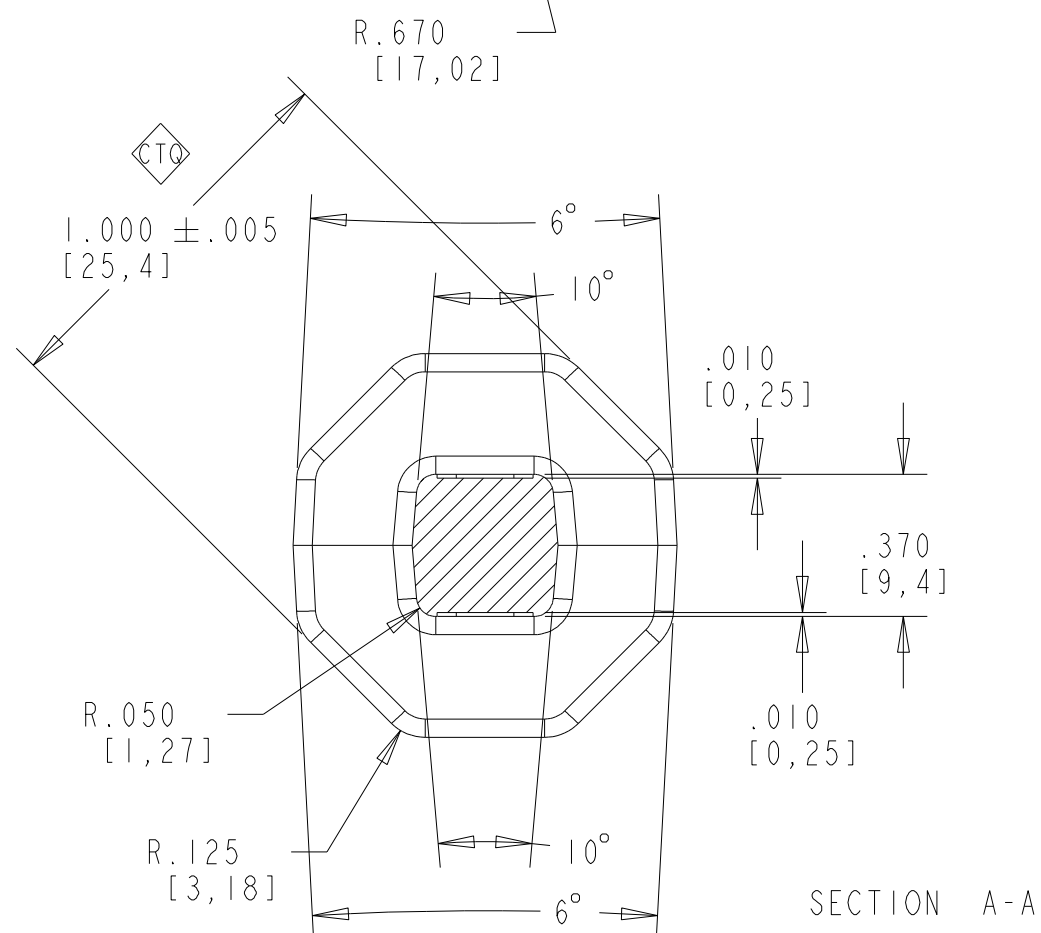
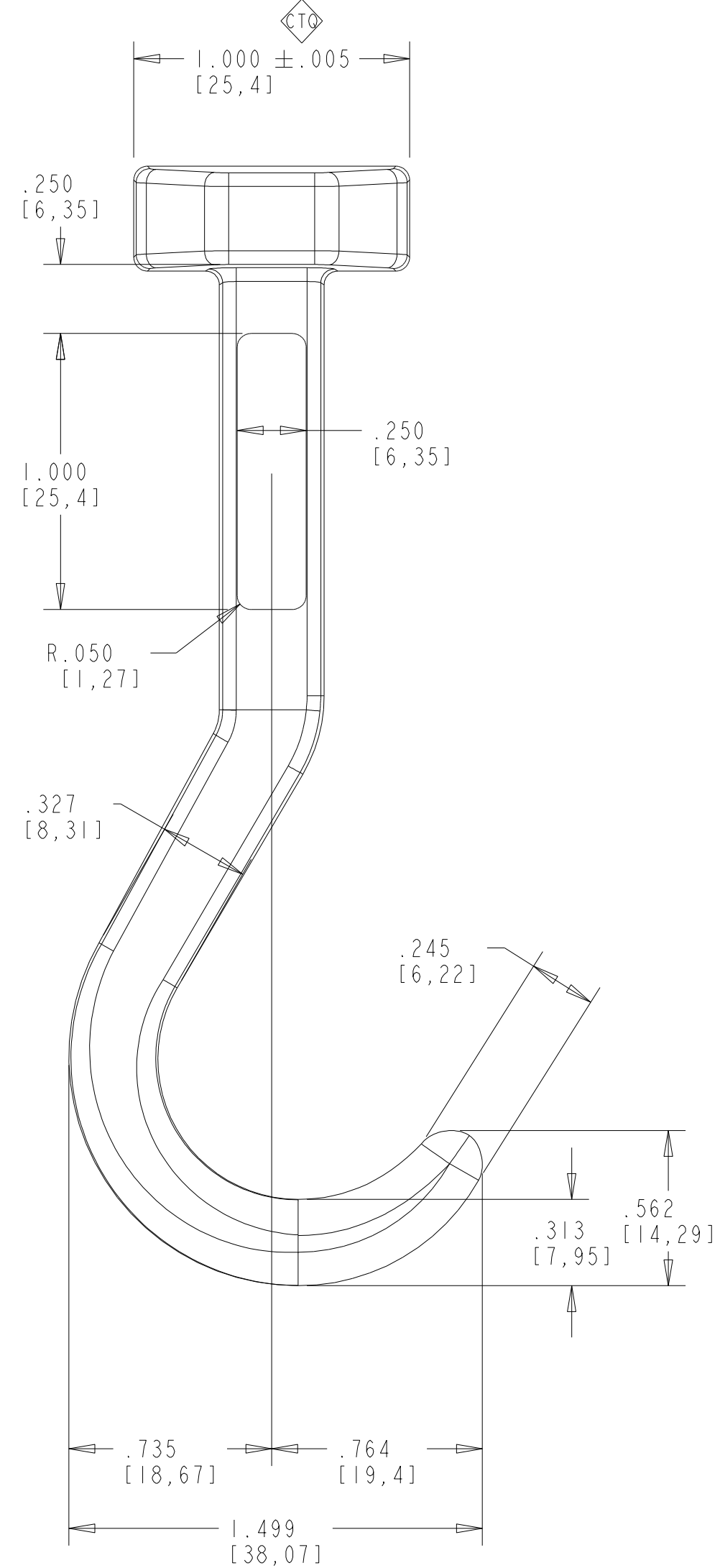
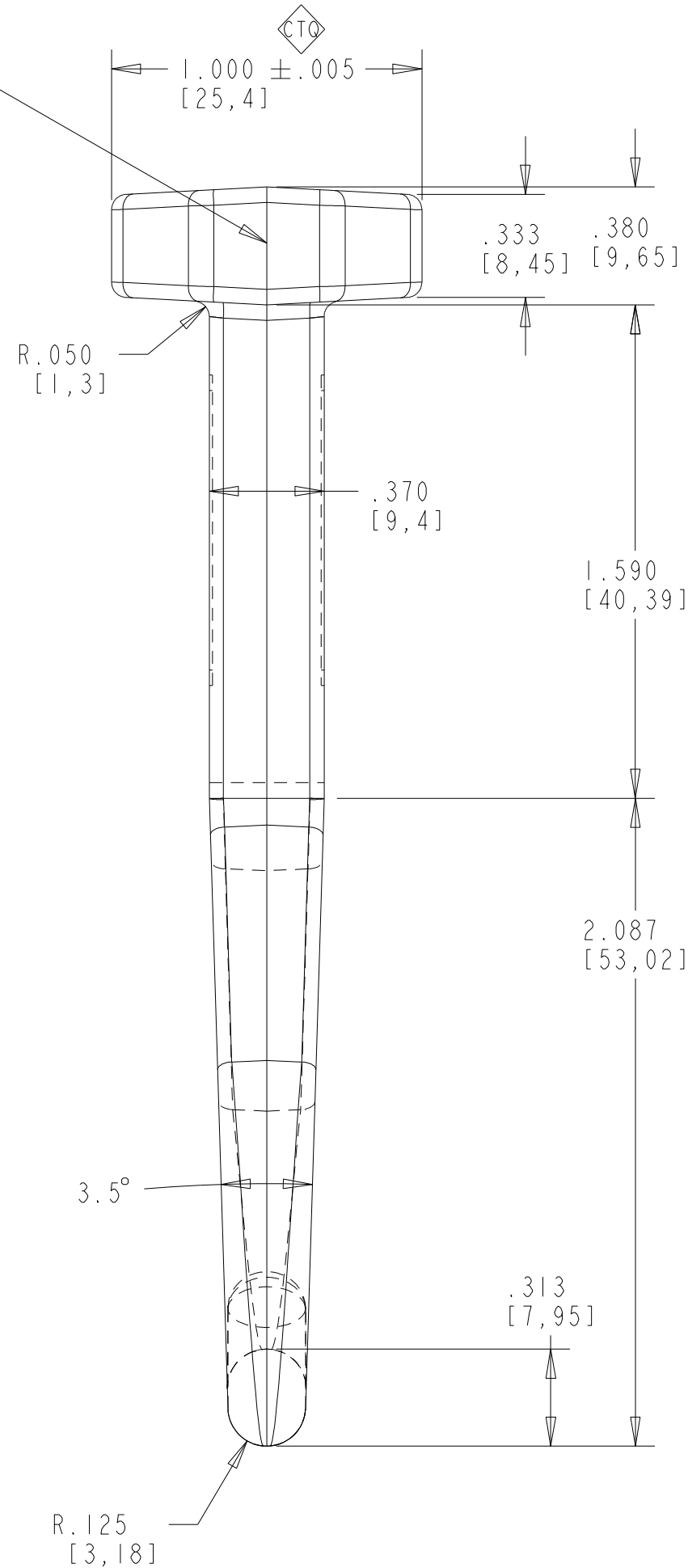


CTQ
NO FLASH ALLOWED
THIS EDGE



PART NO	FINISH
HKLPCR	POWDER COAT CHROME
HKLBL	BLACK PLATING (POWDER COAT ACCEPTABLE)
HKLBR	BRASS PLATED
HKL BZ	BRONZE PLATED
HKLCP	COPPER PLATED
HKLNC	NICKEL PLATED

- NOTES
1. MATERIAL: DIE CAST ZINC
 2. DEBURR BEFORE PLATING
 3. CRITICAL TO QUALITY
 4. MUST MATCH RAS COLOR SAMPLE
 5. WEIGHT APPROX 83g

This drawing is the property of Rev-A-Shelf (RAS) and is disclosed in confidence to the extent its subject matter is original to RAS. Any vendor receiving this drawing from RAS shall hold and use this drawing for the sole benefit of RAS and shall not disclose it to, or use or reproduce it for any third party, or perform any act adverse to the interest of RAS with respect to this drawing without the express written permission of RAS. Vendors shall not revise any physical, dimensional or performance characteristic unless authorized by Rev-A-Shelf Engineering.

REV.	DATE	BY	DESCRIPTION OF CHANGE
A	8-23-19	KRR	ECN19-064

INCH [MM]	AMERICAN PROJECTION	DRAWN	BY	DATE	REV-A-SHELF, INC.
		KMW	KMW	8-17-17	GLIDEWARE LONG HOOK
TOLERANCES (WOOD) .XX ±.03 [.8mm] (OTHER) .XX ±.02 [.5mm] (ALL) .XXX ±.005 [1.3 mm] FRACTIONS ±1/32 [.8 mm]					SCALE 2.000
MATERIAL FINISH					DRAWING NO. HK-L-XX
PART NO. SEE TABLE					SHEET OF 1 1