

Features

- Grip-Tight bumpers hold seat firmly in place
- Quick-Release™ functionality allows seat to be removed easily from toilet for convenient cleaning
- Quick-Attach® hardware for fast and secure installation
- Color-matched plastic hinges

Material

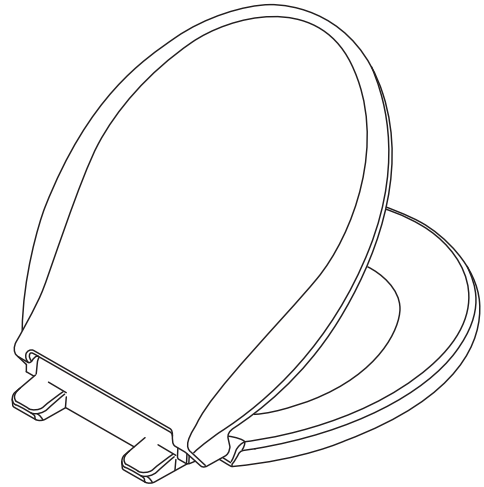
- Plastic construction

Installation

- For nonresidential application, K-7673 or K-20111 is recommended

Recommended Products/Accessories

- K-7673 Cachet® Quiet-Close™ round-front toilet seat
- K-20111 Brevia™ Quiet-Close™ round-front toilet seat



Codes/Standards

None Applicable



KOHLER® One-Year Limited Warranty

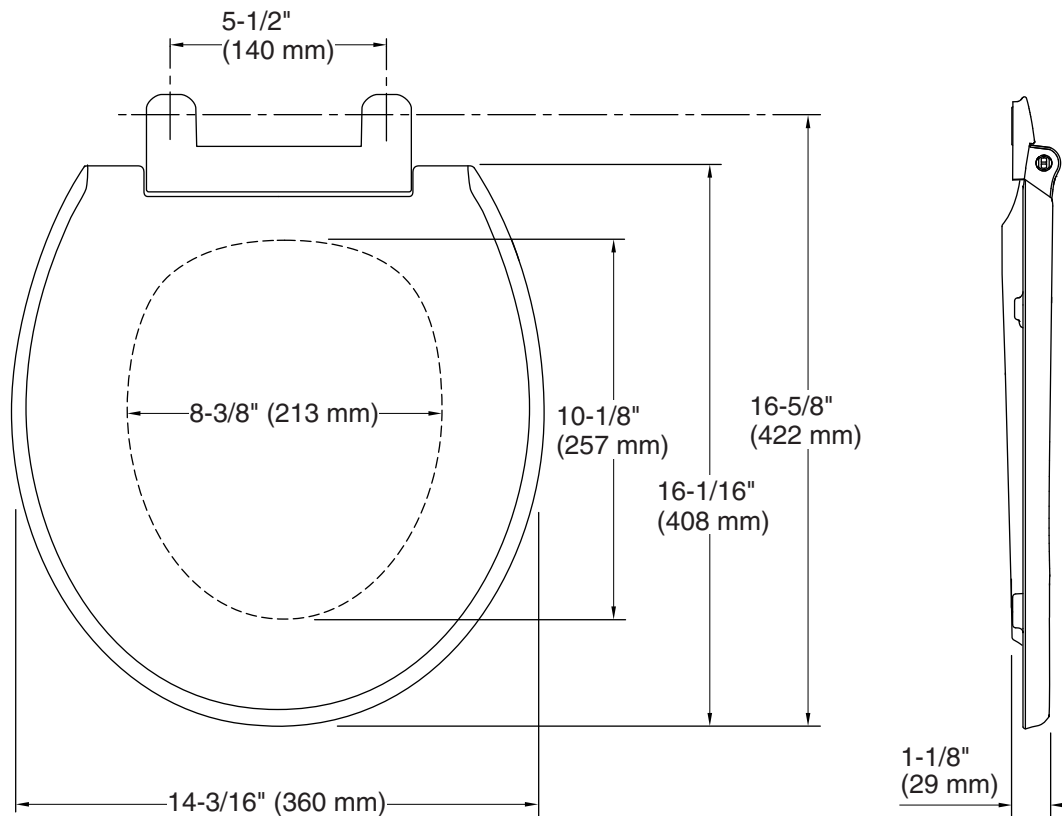
See website for detailed warranty information.

Available Colors/Finishes

Color tiles intended for reference only.

Color	Code	Description
-------	------	-------------

	0	White
	96	Biscuit



Technical Information

All product dimensions are nominal.

Seat shape type: Round-front
Seat front type: Closed-front
Seat-mounting holes: 5-1/2" (140 mm)

Pressure/fixture Supply Requirements

Notes

Install this product according to the installation instructions.