

**PRODUCT SPECIFICATIONS**

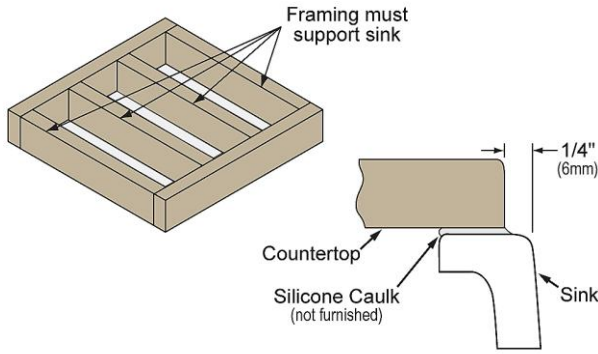
Fireclay 16-7/16" x 18-15/16" x 9-1/16" Single Bowl Undermount Bar Sink White. Sink is molded from fine fireclay with a durable porcelain glaze providing a finish that is non-porous and resists staining. Naturally sound deadening and Rear Center drain placement.

<b>Installation Type:</b>	Undermount
<b>Material:</b>	Fireclay
<b>Finish:</b>	White (WH)
<b>Number of Bowls:</b>	1
<b>Sink Dimensions:</b>	16-7/16" x 18-15/16" x 10-1/8"
<b>Bowl 1 Dimensions:</b>	13-1/2" x 16" x 9-1/16"
<b>Drain Size:</b>	3-1/2" (89mm)
<b>Drain Location:</b>	Rear Center
<b>Minimum Cabinet Size:</b>	21"
<b>Template Included:</b>	No



**Installation Profile:**

**1/4" REVEAL**



Designed to affix to the underside of any solid surface countertop.

A Century of Tradition and Quality. For more than 100 years, Elkay has been making innovative products and providing exceptional customer care. We take pride in offering plumbing products that make life easier, inspire change and leave the world a better place.

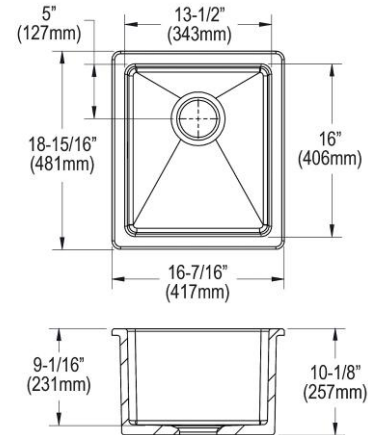


**Product Compliance:** ASME A112.19.2/CSA B45.1



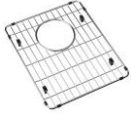



Sinks are listed by IAPMO® as meeting the applicable requirements of the Uniform Plumbing Code®, International Plumbing Code®, and National Plumbing Code of Canada.

[Clean and Care Manual \(PDF\)](#)  
[Installation Instructions \(PDF\) - 100003608](#)  
[Warranty \(PDF\)](#)



PART: \_\_\_\_\_ QTY: \_\_\_\_\_  
 PROJECT: \_\_\_\_\_  
 CONTACT: \_\_\_\_\_  
 DATE: \_\_\_\_\_  
 NOTES: \_\_\_\_\_  
 APPROVAL: \_\_\_\_\_

*In keeping with our policy of continuing product improvement, Elkay reserves the right to change product specifications without notice. Please visit [elkay.com](http://elkay.com) for the most current version of Elkay product specification sheets. This specification describes an Elkay product with design, quality, and functional benefits to the user. When making a comparison of other producers' offerings, be certain these features are not overlooked. Latest version of the spec sheet available: [https://www.elkayfiles.com/spec-sheets/SWU1517WH\\_spec.pdf](https://www.elkayfiles.com/spec-sheets/SWU1517WH_spec.pdf)*

Optional Accessories		
<a href="#">LKOBG1315SS</a>	Stainless Steel 11-13/16" x 14-3/16" x 1-5/16" Bottom Grid <a href="#">Spec Sheet (PDF)</a>	
<a href="#">LK99FC</a>	Deluxe Drain 3-1/2" Type 304 Stainless Steel Body for Fireclay Sinks <a href="#">Spec Sheet (PDF)</a>	
<a href="#">LK99FCS</a>	Deluxe Drain Kit with Satin Finish 3-1/2 Type 304 Stainless Steel Body for Fireclay Sinks <a href="#">Spec Sheet (PDF)</a>	
<a href="#">LKEC2012</a>	Explore™ Single Hole Bar Faucet with Forward Only Lever Handle <a href="#">Spec Sheet (PDF)</a>	

*In keeping with our policy of continuing product improvement, Elkay reserves the right to change product specifications without notice. Please visit [elkay.com](http://elkay.com) for the most current version of Elkay product specification sheets. This specification describes an Elkay product with design, quality, and functional benefits to the user. When making a comparison of other producers' offerings, be certain these features are not overlooked. Latest version of the spec sheet available: [https://www.elkayfiles.com/spec-sheets/SWU1517WH\\_spec.pdf](https://www.elkayfiles.com/spec-sheets/SWU1517WH_spec.pdf)*