



Text 1-812-652-2525
(US and Canada only, carrier fees may apply)



Visit www.maxicosi.com



Call 1-800-544-1108



Email support@djgusa.com



Learn More

©2024 Dorel Juvenile Group, Inc. (800) 544-1108 www.maxicosi.com. Styles, colors, and labeling may vary. Made in China. Distributed by Dorel Juvenile Group, Inc., 2525 State St., Columbus, IN 47201-7494. Dorel Juvenile Canada, 2233 Argenta Road, Suite 110, Mississauga, ON L5N 2X7. Representante exclusivo en Chile: DOREL JUVENILE CHILE S.A. Av. del Parque 4161, oficina 602 A, Huechuraba, Santiago, Chile - Fono: 56 2 24971500 - www.infanti.cl - www.dorel.cl. Importado y distribuido en Perú por: COMEXA COMERCIALIZADORA EXTRANJERA S.A. SUCURSAL DEL PERÚ - Los Libertadores 455, San Isidro, Lima 27, Lima, Perú RUC 20431062870 - Fono: 4413029 - www.infanti.com.pe. En Centro América, Caribe y Ecuador por: Best Brands Group S.A. - Av. Balboa, Bay Mall Plaza, Planta Baja, local 9, Panamá. - Fono: (507) 300 2884. En Colombia por: Baby Universe S.A.S. - Vía 40 No. 77-29, Barranquilla, Colombia - Fono: (575) 353 1110 Importador: DJGM, S.A. DE C.V. Gabriel Mancera No. 1041 Col. Del Valle, Benito Juárez C.P. 03100 México, Ciudad de México R.F.C. DJG140305GN9 Tel. (55) 67199202 03/24 4358-8509



MAXI-COSI[®]
KINDRED COLLECTION

Sibia Bassinet
featuring CryAssist™
Audio Monitor



BT088

Keep these instructions for future reference.



Introducing the Maxi-Cosi Kindred Collection

Our Maxi-Cosi Kindred Collection is inspired by the ancestry, connection, and inseparable bonds of Family. When you choose to invite us into your home, you allow us to become a part of your life.

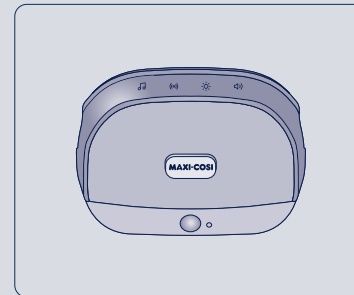
These pieces are more than furniture or baby products—they're carriers and keepers of cherished memories and family ties. Their exceptional quality and craftsmanship mean that the memories they'll make are countless. Each Maxi-Cosi Kindred Collection piece is thoughtfully created, reflects a timeless design, features special metals and EcoCare premium, recycled fabric made from plastic bottles, and is meant to be loved and shared.

The Maxi-Cosi Kindred Collection
Lineage in design.

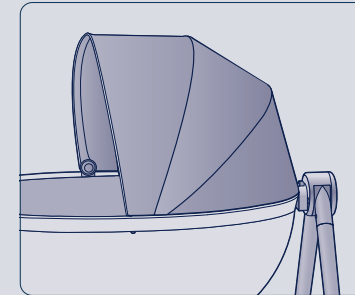
FEATURES	5
WARNINGS	7
ASSEMBLY	11
Parts	12
Legs	13
Crossbars	14
Frame	15
Bassinet	16
Canopy	17
USE	19
CryAssist™ Audio Monitor	20
To Fold	22
To Disassemble	23
CARE AND MAINTENANCE	25
Disposal	26
Replaceable Parts	27
Warranty Information	27

See back cover for contact information and support.

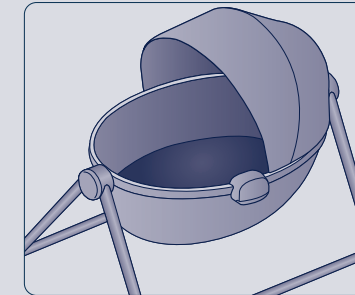
Features of Your Sibia Bassinet



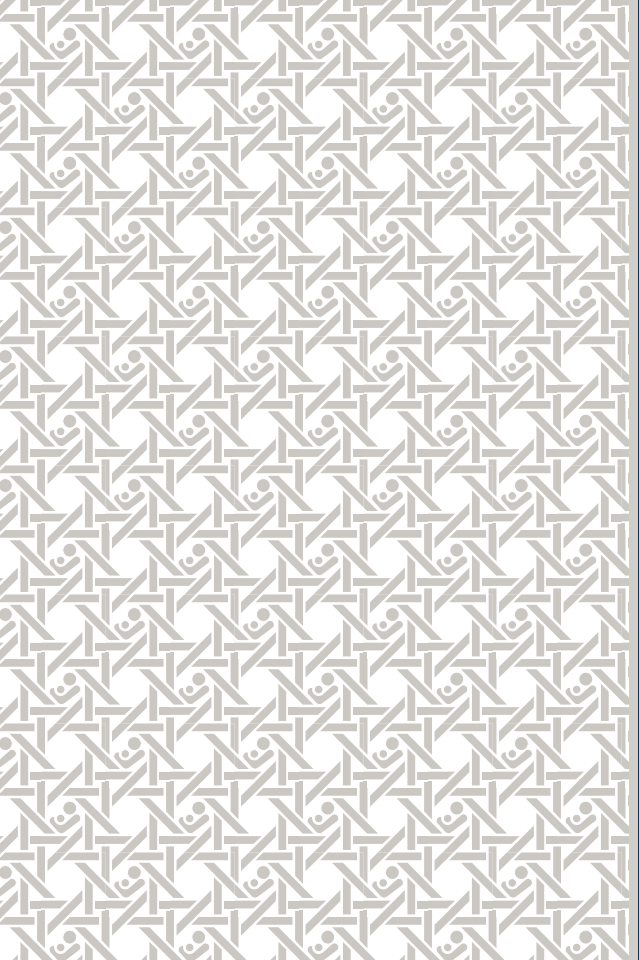
CryAssist™ Audio Monitor includes 6 months of cry translation service



The adjustable half-canopy provides an extra layer of privacy



Cozy mattress pad with removable, machine-washable cover



Warnings

Note: Please see separate user manual for the CryAssist™ Audio Monitor (M0191) (included).
Suitable for infants up to 20 lbs.

Read all instructions before assembly and use of product. Keep instructions for future reference.

WARNING

Failure to follow these warnings and the instructions could result in death or serious injury.

SUFFOCATION HAZARD

Babies have suffocated:

- On pillows, comforters, and extra padding.
 - In gaps between a wrong-size mattress, or extra padding and product sides.
 - **NEVER** add soft bedding or padding.
 - Use **ONLY** mattress provided by manufacturer.
 - **ALWAYS** place baby on back to sleep to reduce the risk of SIDS and suffocation.
- FALL HAZARD**—To help prevent falls, do not use this product when the infant begins to push up on hands and knees or has reached 20 lbs, whichever comes first.
- If a sheet is used with the pad, use only the one provided by the product manufacturer or one specifically designed to fit the dimension of the product mattress.
 - **ALWAYS** check that the bassinet is securely locked on the base/stand by pulling upwards on the bassinet bed.

WARNING

- Strings can cause strangulation! Do not place items with a string around a child's neck, such as hood strings or pacifier cords. Do not suspend strings over a product or attach strings to toys.
- **DO NOT** use if any part of the bassinet is broken, torn, or missing. Contact Consumer Care for replacement parts and instructional literature if needed.
- **CHOKING HAZARD.** Keep small parts away from children during assembly.
- **Use** only the AC adapter provided by manufacturer.
- **DO NOT** use an extension cord with the AC adapter.
- To reduce the risk of fire or electrical shock, **DO NOT** expose this product to water or moisture.
- This monitor function is not intended to be used as a medical monitor and its use should not replace proper adult/parental supervision. You should check your child's activity at regular intervals as this monitor will not alert parents to the silent activities of a child.
- **NEVER** attempt to disassemble the product. This is dangerous and will void the warranty.
- Test monitor function periodically when in use and changing locations.
- Use only the adapter supplied with this product. Incorrect adapter polarity or voltage can seriously damage the product.
- To prevent entanglement and overheating, **DO NOT** use extension cords.
- The adapter and device may become slightly warm to the touch during operation. This is normal.
- **ALWAYS** unplug the AC adapter from the wall during extended periods of non-use.
- Check to make sure wall outlet plates are not unusually hot to the touch. If they are, immediately unplug cords from these outlets.
- Check that all outlet connections are in good condition so that adapter is not loose or that no wiring is exposed. Have a qualified, licensed electrician check the wiring as soon as possible.
- This monitor allows internet users to hear activity. Use the security feature included with this device to restrict internet viewership.
- **DO NOT** place adapter/wall plug under a window where a child might use it to step on and/or to reach something that might be dangerous.

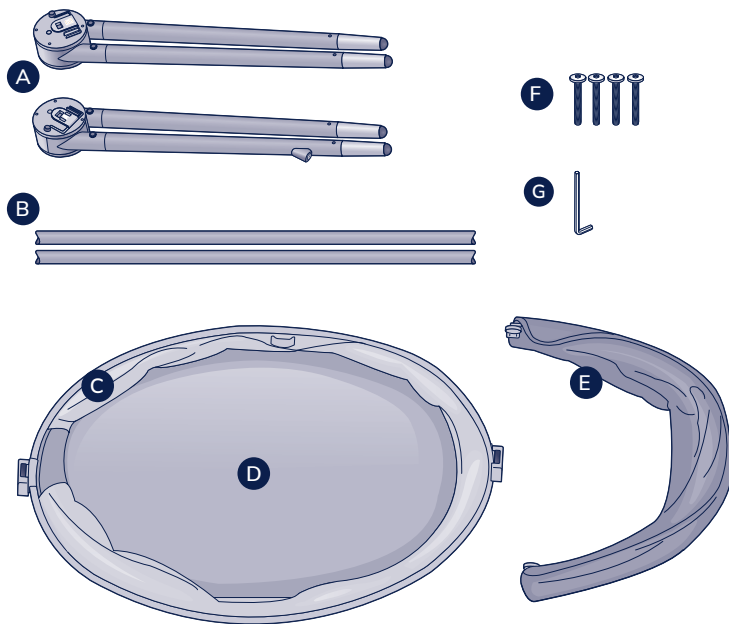


Assembly

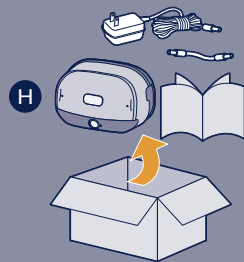
Parts

- A Legs (2 sets)
- B Crossbars (2)
- C Bassinet
- D Mattress pad and cover
- E Canopy
- F Screws (4)
- G Tools required: Allen wrench (included)
- H CryAssist™ Audio Monitor with cord and power adapter

Adult assembly required.



The Sibia Bassinet comes with the Maxi-Cosi CryAssist™ Audio Monitor. Please see the Audio Monitor user manual for more information about use and set-up.



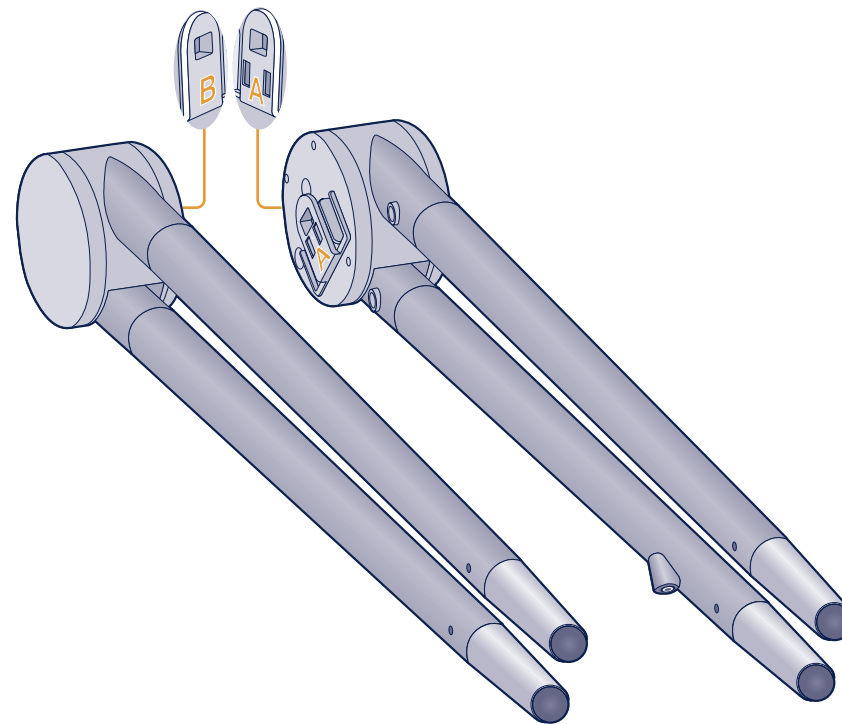
Download our easy-to-use Connected Family app, where you can manage your Audio Monitor and all other Maxi-Cosi Connected devices.



Assembly

Legs

Position the legs with the A and B labels facing one another.

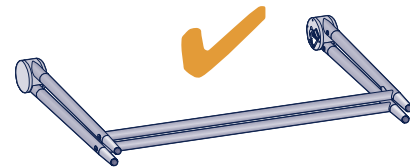
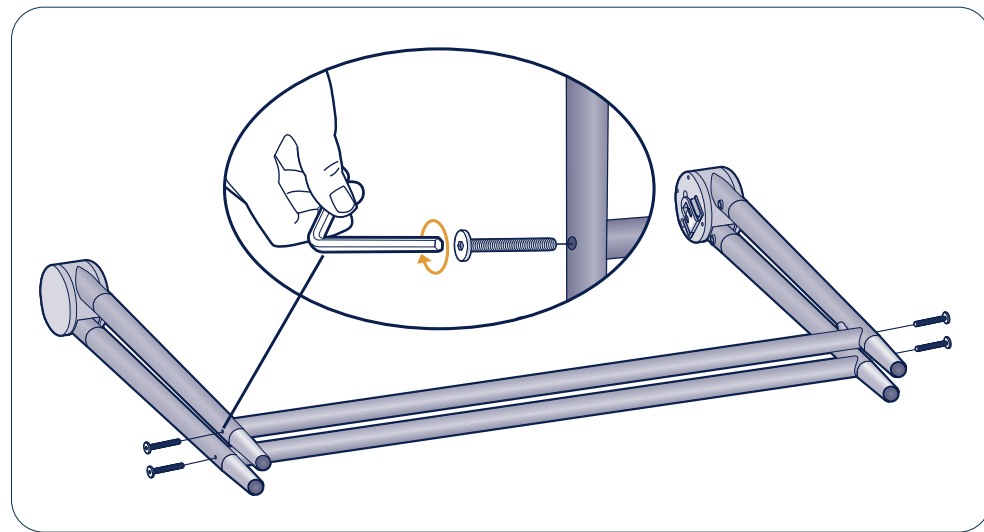


Assembly

Crossbars

Using the Allen wrench, attach the 2 crossbars to the legs with the 4 screws.

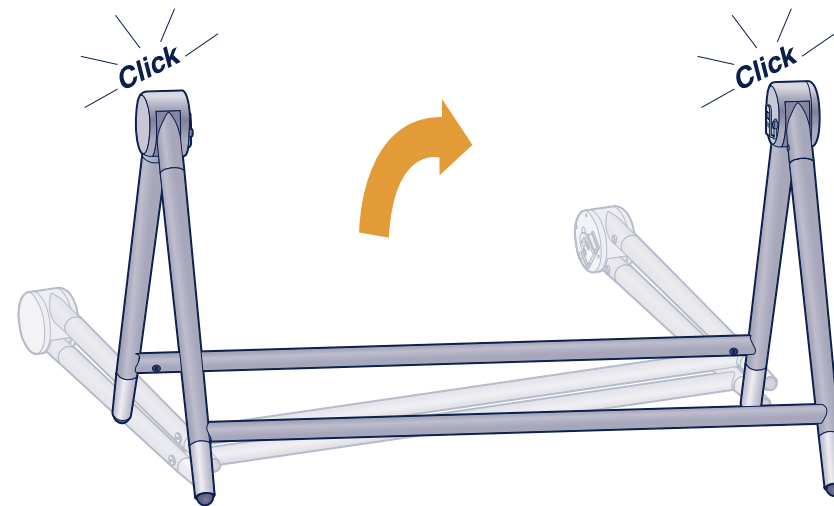
Note: Don't use power tools to install the screws.



Assembly

Frame

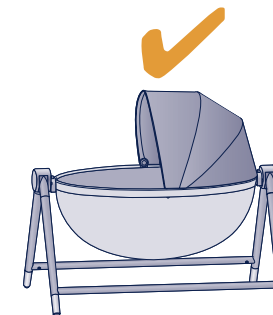
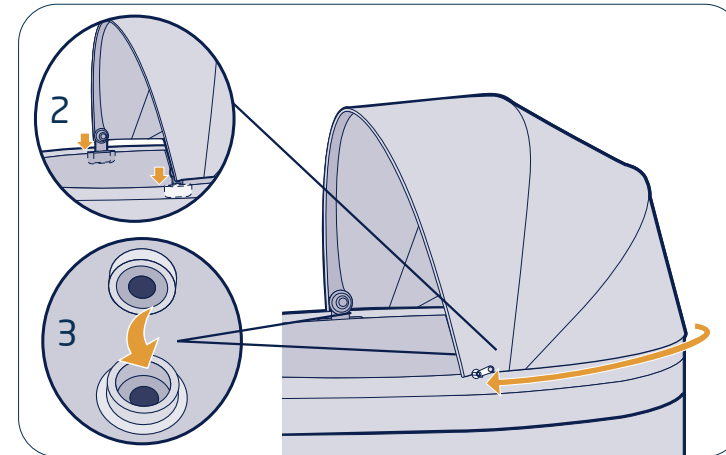
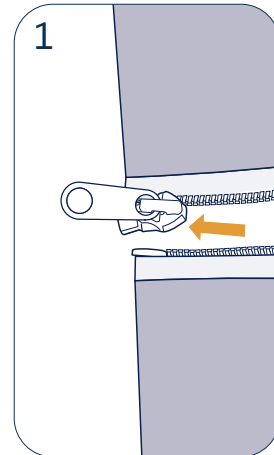
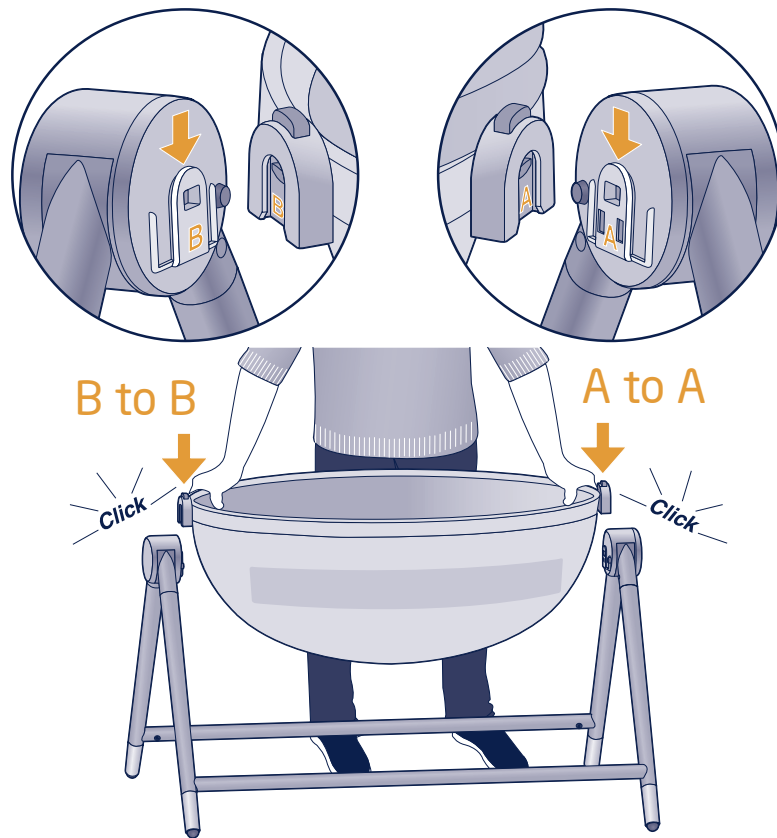
Stand the legs up and pull the legs apart until each side clicks to form the frame.



Assembly

Bassinet

To attach the bassinet to the legs, hold the bassinet with two hands: one on each end. Align the bassinet with the legs as shown and push the A side down until you hear it click. Repeat on the B side.



Assembly

Canopy

Before attaching the canopy, make sure the zippered edge of the canopy aligns with the zippered edge of the bassinet.

To attach the canopy to the bassinet, zip the canopy onto the bassinet (1).

Adjust and push the two canopy tabs into the slots on the top rail of the bassinet to secure (2).

Snap the bottom edge of the canopy fabric onto the canopy tab (3).

Note: To remove the canopy, unzip the canopy from the bassinet and pull up at the tabs.



Use

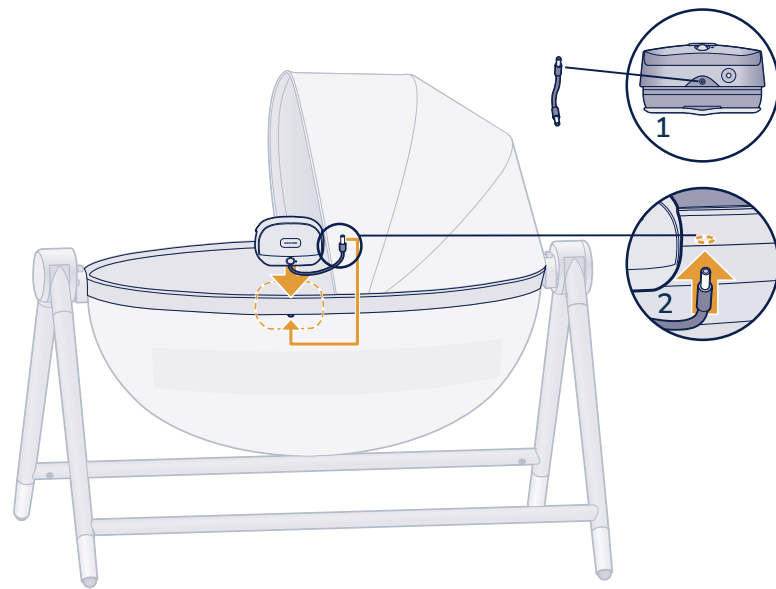
Use

CryAssist™ Audio Monitor

The Audio Monitor can be attached to either side of the bassinet. Ensure that the Maxi-Cosi logo is facing outwards and away from your child, and that all cords remain outside the bassinet frame.

Insert one side of the shorter cord (1) into the Audio Monitor and the other side into the port under the rim of the bassinet (2).

Tip: To locate the port on the bassinet, run your fingers along the underside of the rail on either side.

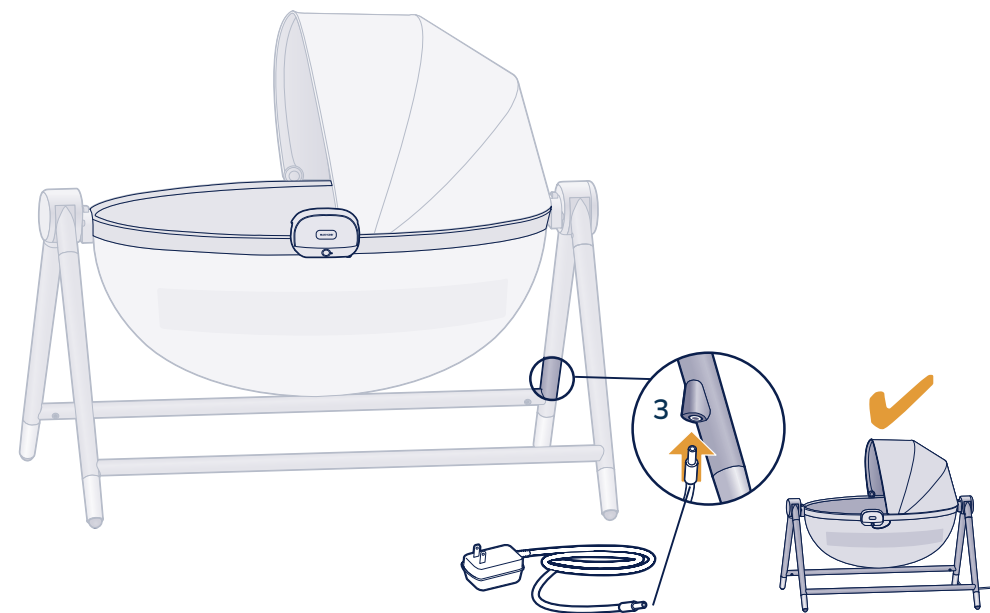


Use

Audio Monitor

Plug the power adapter into the port on the lower leg (3). Then plug the other end of the adapter into a wall outlet.

To download the Connected Family app and pair the Audio Monitor to your device, scan the QR code on page 12. For more information, see the CryAssist™ Audio Monitor instruction manual.



⚠ WARNING

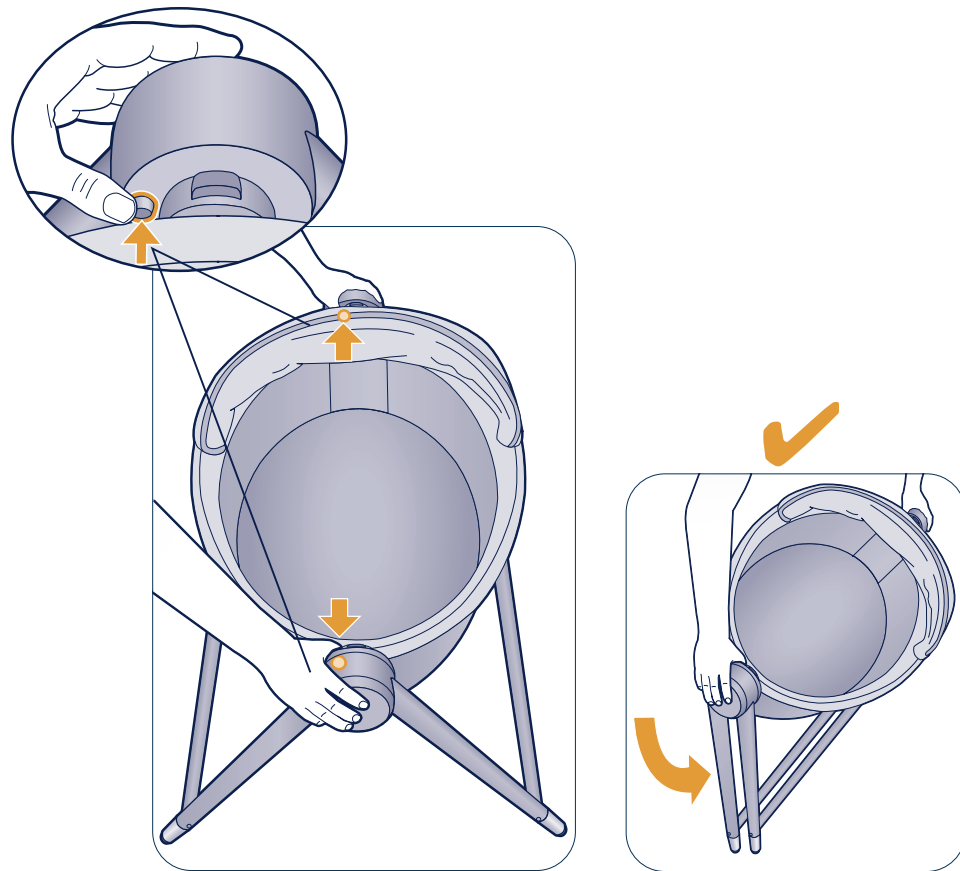
STRANGULATION HAZARD—Children have **STRANGLED** in cords. Keep this cord out of the reach of children (more than 3 ft (0.9 m) away). Do not use on Cribs or Play Yards.

Use

To Fold

To fold the bassinet, unplug all power cords and remove the monitor from the side of the bassinet.

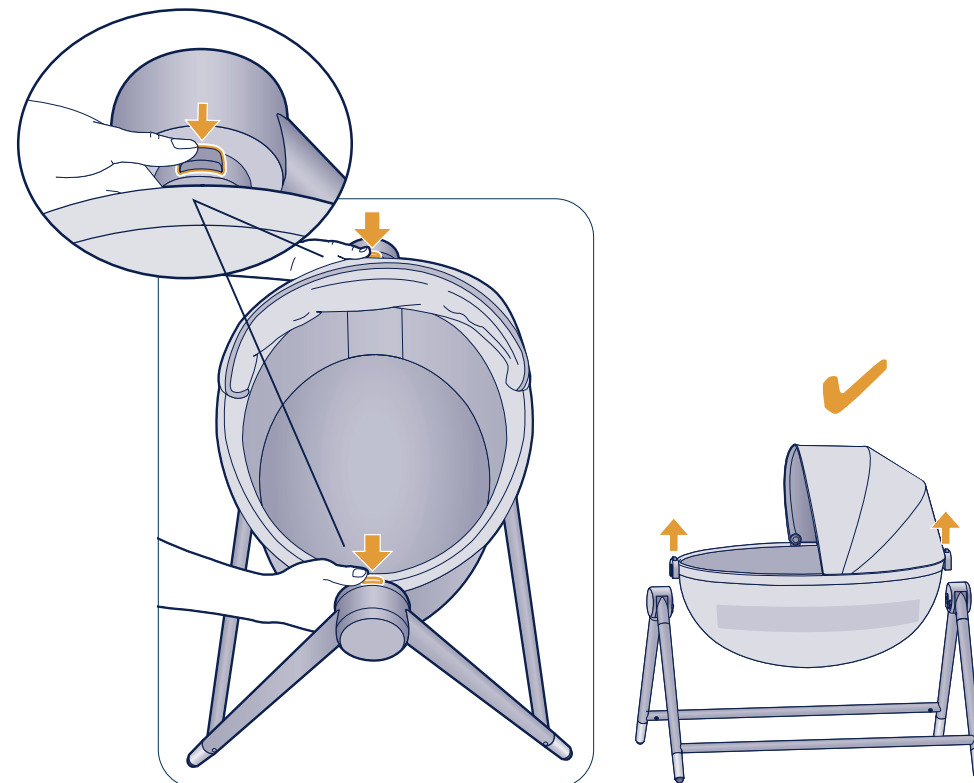
Then, press the button on each end of the bassinet and push the legs together to fold.



Use

To Disassemble

To remove the bassinet from the legs, press the buttons on each end and lift the bassinet up and off.





Care and
Maintenance

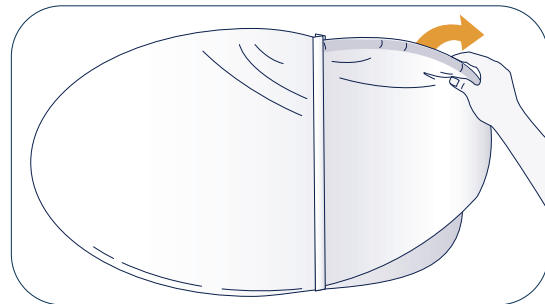
Care and Maintenance

Cleaning the Bassinet and Canopy

Spot clean only using a damp cloth. Do not use harsh cleaning products.

Washing the Mattress Cover

Remove the cover from the mattress pad. Machine wash cold, gentle cycle, and line dry.



Disposal



This product and/or battery must be disposed of separately from household waste. When this product reaches its end of life, refer to your local authority's guidance on the collection of electronic waste. Proper recycling of used products and/or batteries can help make an important contribution to the protection of the environment. Contact your local recycling center for additional information. Prior to disposal of this device, make sure to reset the device to its factory state and remove the device from your account, which will help clear the device of personal data. Remove or securely erase any storage media, such as MicroSD cards, which may contain personal data like videos, photos, and documents.

Replaceable Parts

- Legs
- Crossbars
- Mattress pad and cover
- Canopy
- Screws
- Audio Monitor (MO191)

To order parts, call 1-800-544-1108 or text 1-812-652-2525. Have the model number ready (BT088), the manufacture date (found under the bassinet), and a brief description of the part.

Two-Year Limited Warranty

Dorel Juvenile Group, Inc. warrants to the original purchaser that this product (Sibia Bassinet) is free from material and workmanship defects when used under normal conditions for a period of two (2) years from the date of purchase. Should the product contain defects in material or workmanship Dorel Juvenile Group, Inc., will repair or replace the product, at our option, free of charge. Purchaser will be responsible for all costs associated with packaging and shipping the product to Dorel Juvenile Group Consumer Care Department at the address noted on back cover and all other freight or insurance costs associated with the return. Dorel Juvenile Group will bear the cost of shipping the repaired or replaced product to the purchaser. Product should be returned in its original package accompanied by a proof of purchase, either a sales receipt or other proof that the product is within the warranty period. This warranty is void if the owner repairs or modifies the product or the product has been damaged as a result of misuse. This warranty excludes any liability other than that expressly stated previously, including but not limited to, any incidental or consequential damages.

SOME STATES DO NOT ALLOW THE EXCLUSION OR LIMITATION OF INCIDENTAL OR CONSEQUENTIAL DAMAGES, SO THE ABOVE LIMITATION OR EXCLUSION MAY NOT APPLY TO YOU. THIS WARRANTY GIVES YOU SPECIFIC LEGAL RIGHTS, AND YOU MAY ALSO HAVE OTHER RIGHTS THAT MAY VARY FROM STATE TO STATE.