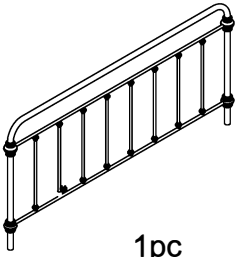


# ASSEMBLY INSTRUCTION

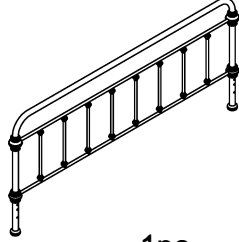
## KING SIZE METERAL BED

**A** Headboard



1pc

**B** Footboard



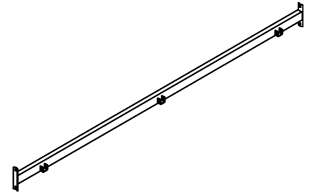
1pc

**C** Extension Leg



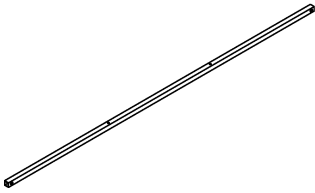
2pcs

**D** Side Rail



2pcs

**E** Slats



3pcs

**F** Support Leg



6pcs

**G** Bolt  
1/4",57mm



4pcs

**H** Bolt  
1/4",45mm



12pcs

**I** Bolt  
1/4",22mm



4pcs

**J** Nut



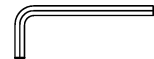
10pcs

**K** Flat Washer  $\varnothing$ 16mm



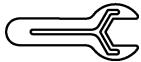
26pcs

**L** Allen Wrench 4X4mm

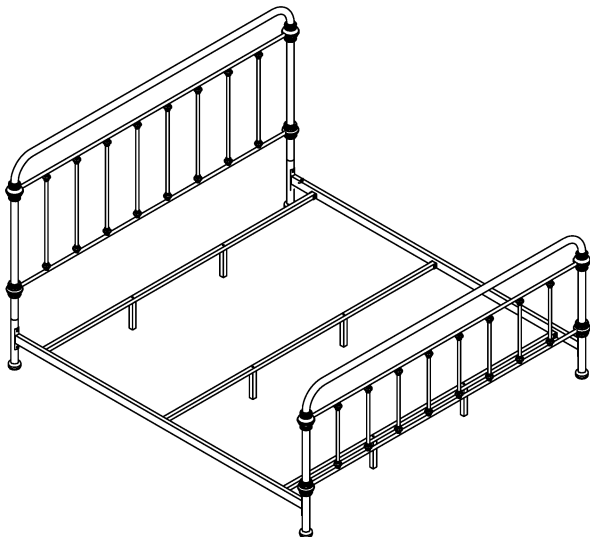


1pc

**M** Wrench 11.3mm



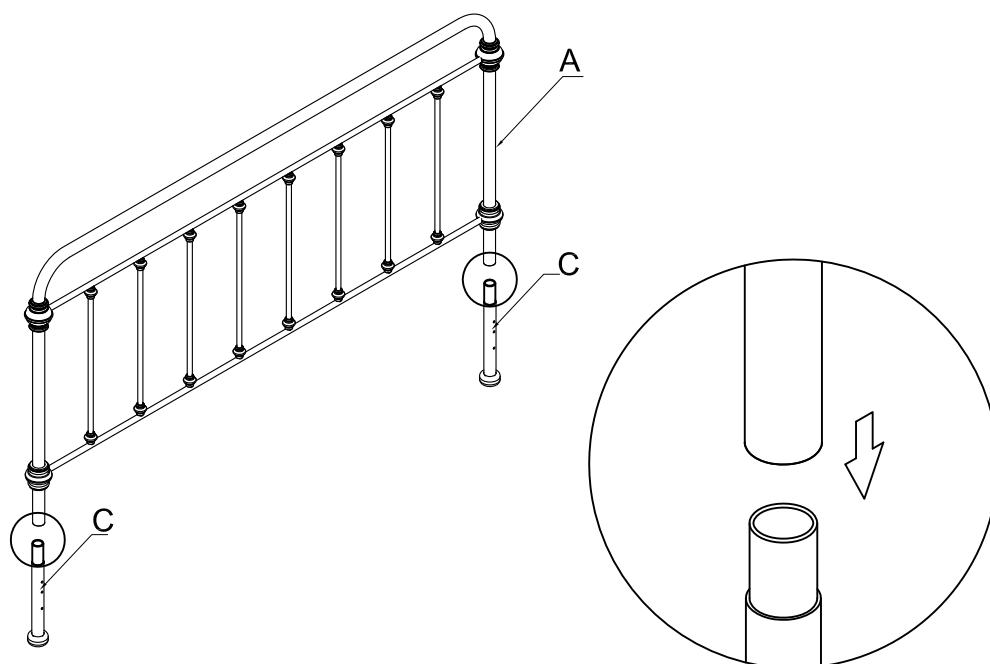
1pc



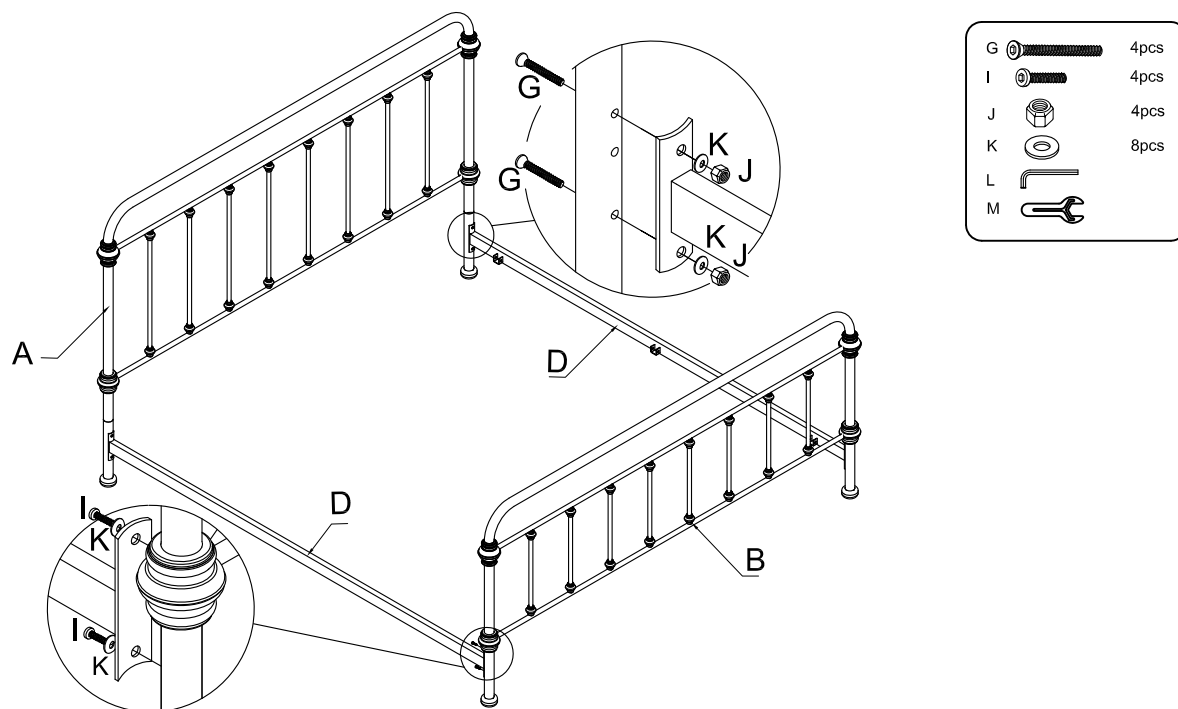
This page lists all the contents included in the box. Please take the time to identify the hardware as well as the individual components to this product. As you unpack and prepare for assembly, place the contents on a carpeted or padded area to protect them from damage.

**1**

Assemble the headboard(A) to the extension leg(C).

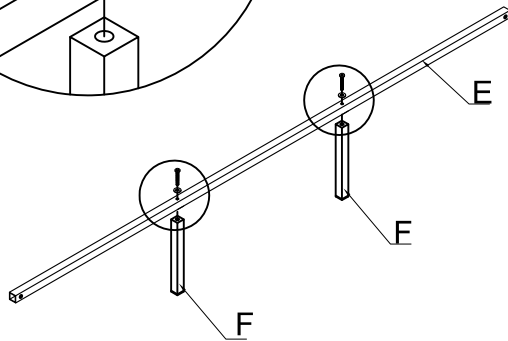
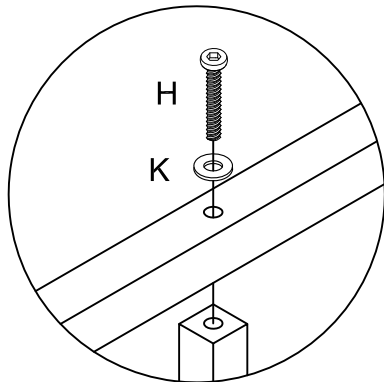
**2**

Assemble the side rail(D) to the headboard(A)&footboard(B) with 2pcs bolt(G),nut(J),flat washer(K) for each end of headboard(A) and 2pcs bolt(I),flat washer(K) for each end of footboard(B), then fastened using allen wrench(L) and wrench(M).

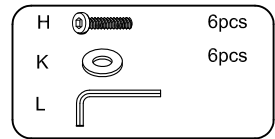


**3**

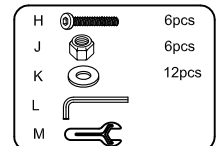
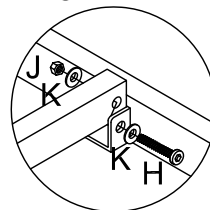
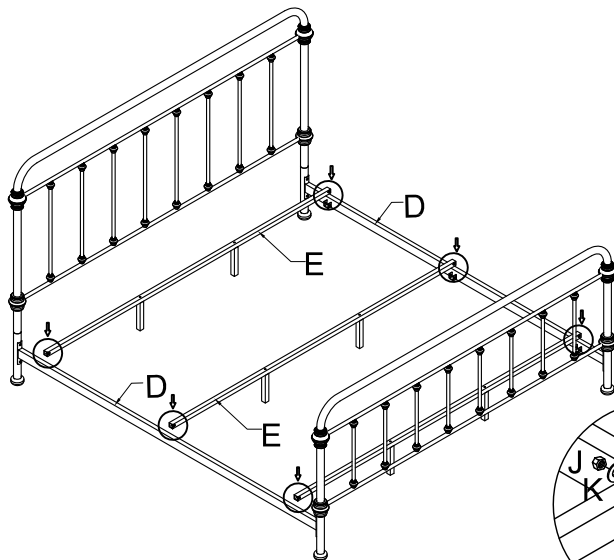
Assemble the slat(E) to the support leg(F) with 1pc bolt(H),flat washer(K) for each support leg(F),then fastened using allen wrench(L).



← X3

**4**

Assemble the slat(E) to the side rail(D) with 1pc bolt(H), nut(J) and 2pcs flat washer(K) for each end of slat(E), then fastened using allen wrench(L) and wrench(M).



### Cleaning & Care

Treat surface with care. Surface is resistant to scratches but is not scratch resistant. Clean surfaces with a dry or damp soft cloth. Do not use abrasive cleaners. Hardware may loosen over time. Periodically check that all connections are tight.