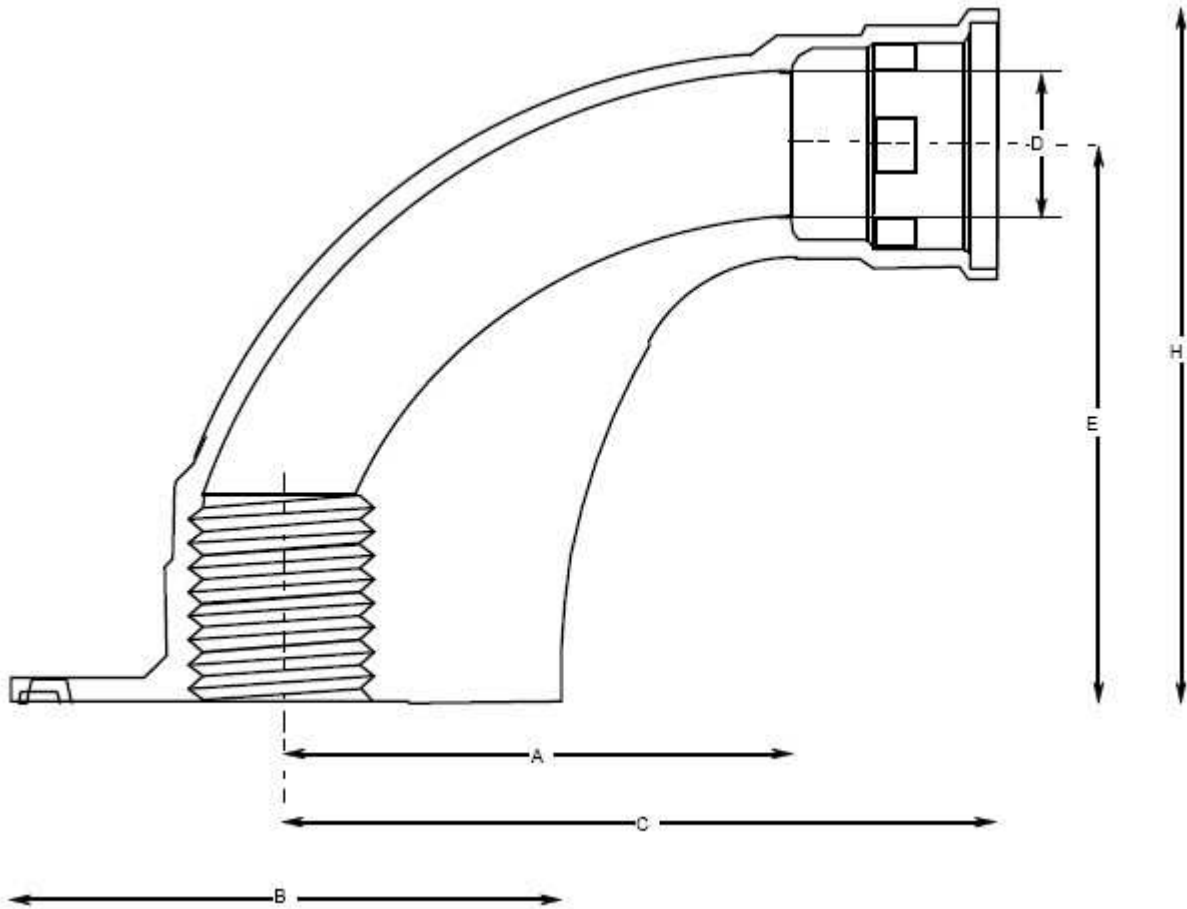


RIGIDPVCCONDUITFITTINGS

ISSUE DATE:
DATE D'EMISSION: 2013 05 31

**90 DEGREES STUB DOWN KWIKON TO NPSC
THREADED CONNECTORS**

SUPERCEDES:
REPLACE: 2010 09 02



PRODUCT CODE	PART NUMBER	NOMINAL SIZE		A		B		C	
		(in)	(mm)	(in)	(mm)	(in)	(mm)	(in)	(mm)
089060	KT90-10	1/2	16	2.300	58	2.500	64	3.215	82
089059	KT90-15	3/4	21	2.300	58	2.500	64	3.245	82
089058	KT90-20	1	27	2.300	58	2.500	64	3.390	86

PRODUCT CODE	PART NUMBER	NOMINAL SIZE		D		E		H	
		(in)	(mm)	(in)	(mm)	(in)	(mm)	(in)	(mm)
089060	KT90-10	1/2	16	0.650	17	2.500	64	3.105	79
089059	KT90-15	3/4	21	0.850	22	2.500	64	3.215	82
089058	KT90-20	1	27	1.080	27	2.500	64	3.345	85

Round green Kwikpath Label to cover bottom of Stub Down, and clear of mounting holes.