

# ASSEMBLY INSTRUCTION

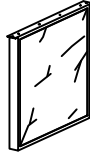
## 43" ROUND DINING TABLE

**A** Top Panel



1 PC

**B** Side Panel



1 PC

**C** Side Frame



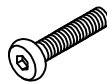
2 PCS

**D** Connecting Iron Plate



1 PC

**E** Long Bolt  
1/4" x 1-3/4"



4 PCS

**F** Medium Bolt  
1/4" x 1"



2 PCS

**G** Short Bolt  
1/4" x 5/8"



4 PCS

**H** Spring Washer  
1/4"



6 PCS

**I** Flat Washer  
1/4"

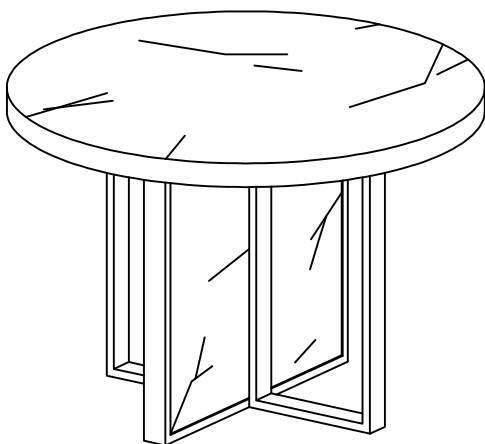


6 PCS

**J** Allen Key  
M4



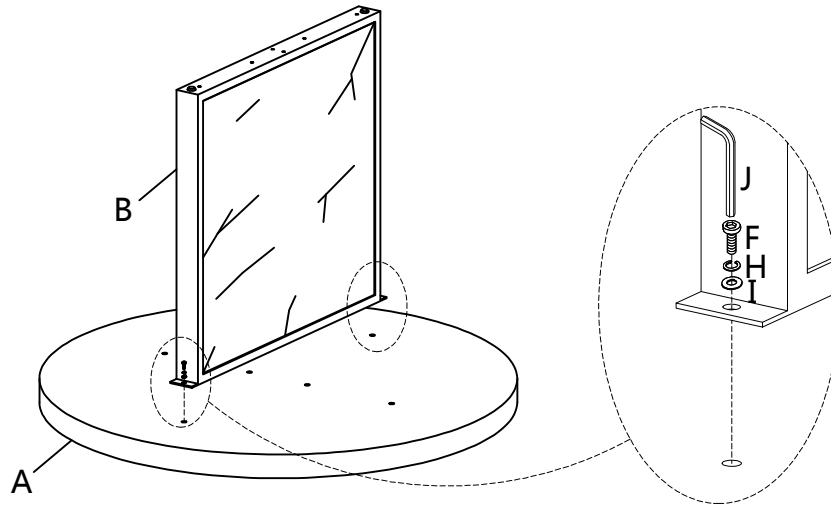
1 PC



This page lists all the contents included in the box. Please take the time to identify the hardware as well as the individual components to this product. As you unpack and prepare for assembly, place the contents on a carpeted or padded area to protect them from damage.

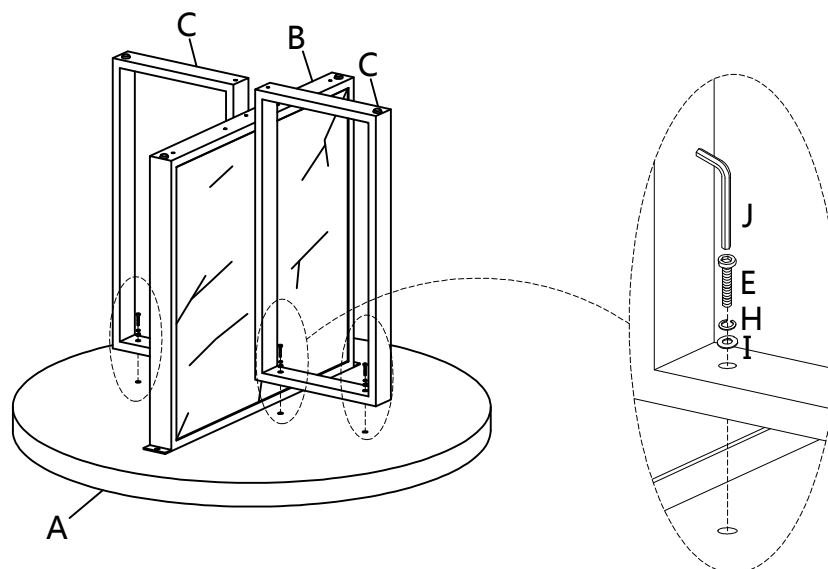
- 1 Attach the Side Panel (B) to the bottom of Top Panel (A) using Medium Bolt (F), Spring Washer (H) and Flat Washer (I) with Allen Key (J).

**Note: Do not fully tighten the bolts at this step.**



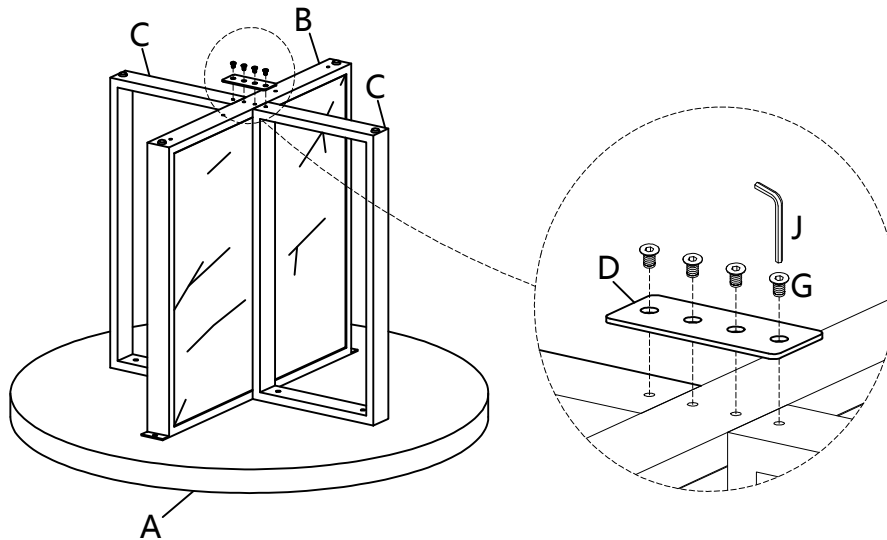
- 2 Attach the Side Frame (C) to the bottom of the Top Panel (A) using Long Bolt (E), Spring Washer (H) and Flat Washer (I) with Allen Key (J).

**Note: Do not fully tighten the bolts at this step.**

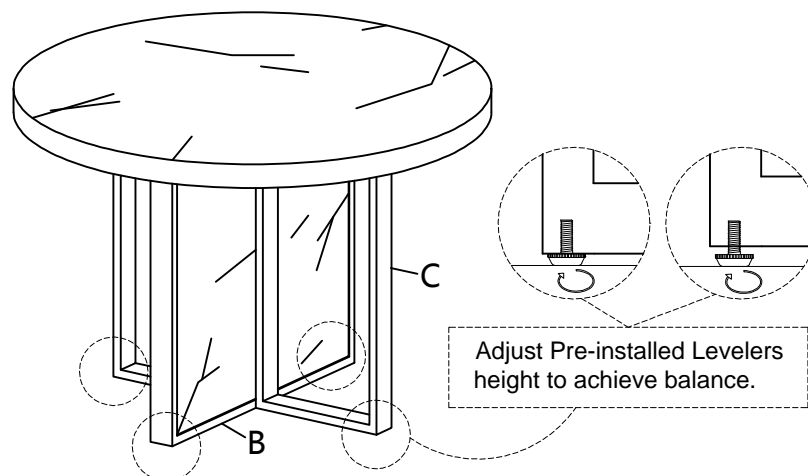


- 3** Attach the Connecting Iron Plate (D) to the bottom of the Side Panel (B) and Side Frame (C) using Short Bolt (G) with Allen Key (J).

**Note: Do not fully tighten the bolts until assembly is completed.**



- 4** With assistance from your adult partners, turn the Dining Table right way up. Adjust the pre-installed levelers on the bottom of Side Panel (B) and Side Frame (C) until the Dining Table is level with the ground.



#### Cleaning & Care

Treat surfaces with care. Surfaces are resistant to scratches but are not scratch resistant. Clean surfaces with a dry or damp soft cloth. Do not use abrasive cleaners. Hardware may loosen over time. Periodically check that all connections are tight.