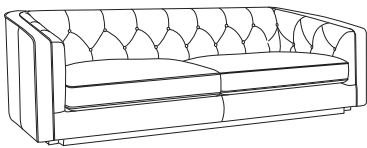


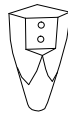
ASSEMBLY INSTRUCTION

LOVESEAT

A Loveseat



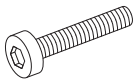
B Front Leg



C Back Leg



1 pc
D Bolt
Ø1/4"×2"



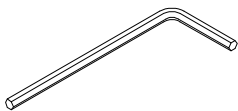
2 pcs
E Lock Washer
1/4"



2 pcs
F Flat Washer
1/4"



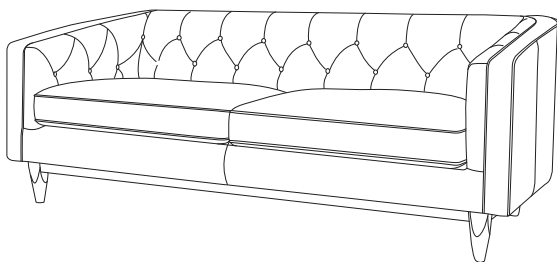
8 pcs
G Allen Wrench
1/4"



8 pcs

8 pcs

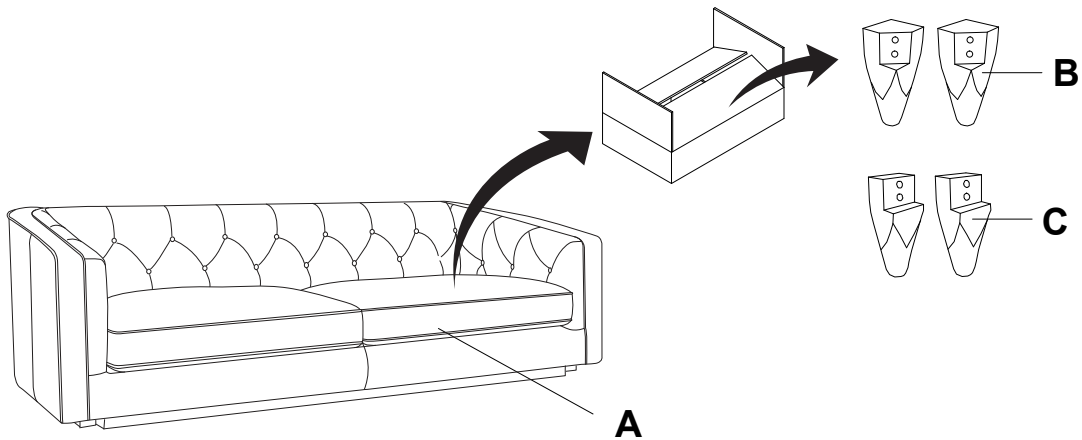
1 pc



This page lists all the contents included in the box. Please take the time to identify the hardware as well as the individual components to this product. As you unpack and prepare for assembly, place the contents on a carpeted or padded area to protect them from damage.

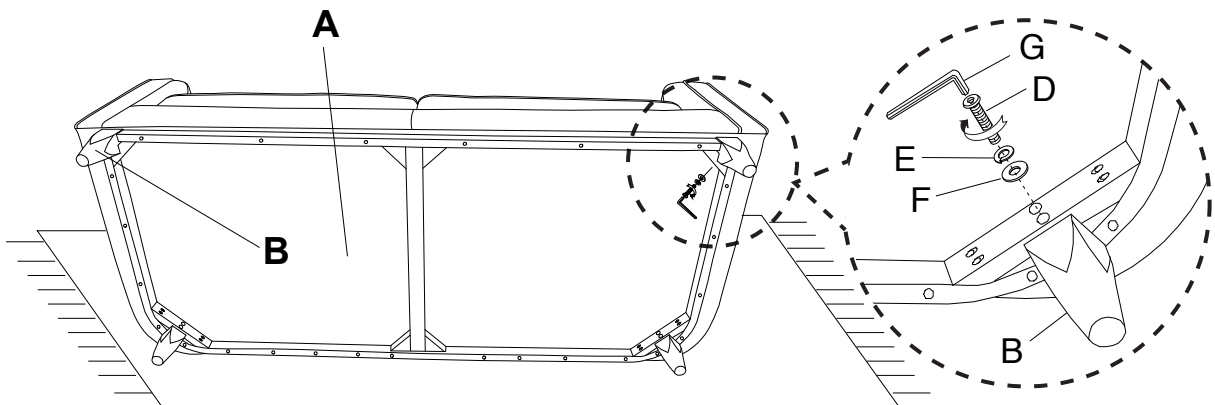
1

Upside down the Loveseat (A) on a carpeted or padded area. Take out 4pcs Leg (B & C) from the box.

**2**

Put the Loveseat (A) on a smooth flat surface and attach Front Leg (B) to the Loveseat (A) using Bolt (D), Lock Washer (E) and Flat Washer (F) on both holes of Loveseat (A). Turn the Allen Wrench (G) in Bolt (D).

Take the Allen Wrench, and turn the bolts until the legs are secured.
DO NOT TIGHTEN COMPLETELY.
 Stop when you feel you are adding force to tighten the bolt.



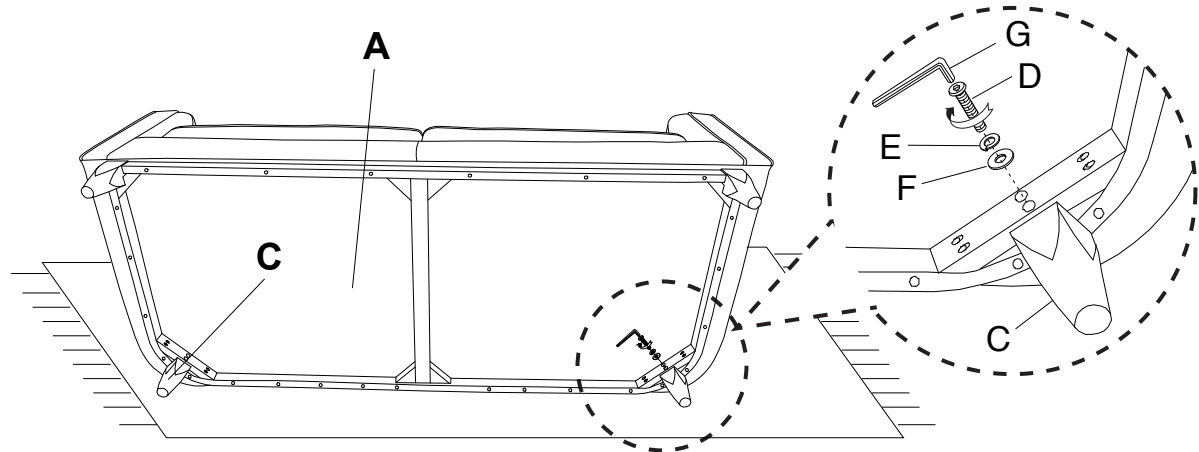
Stand loveseat up on an even surface and check that it is balanced. If there is a slight wobble, apply downward pressure in the corner where a leg is uneven. Keeping pressure in that corner, tighten all bolts. If balanced, apply downward pressure evenly in the center and tighten all bolts. Do not over-tighten beyond hole depth.

Helpful Tip:
 -Instead of applying downward pressure while reaching under to tighten bolts, have someone sit in the loveseat while you tighten the bolts.

3

Put the Loveseat (A) on a smooth flat surface and attach Back Leg (C) to the Loveseat (A) using Bolt (D), Lock Washer (E) and Flat Washer (F) on both holes of Loveseat (A). Turn the Allen Wrench (G) in Bolt (D).

Take the Allen Wrench, and turn the bolts until the legs are secured.
DO NOT TIGHTEN COMPLETELY.
Stop when you feel you are adding force to tighten the bolt.



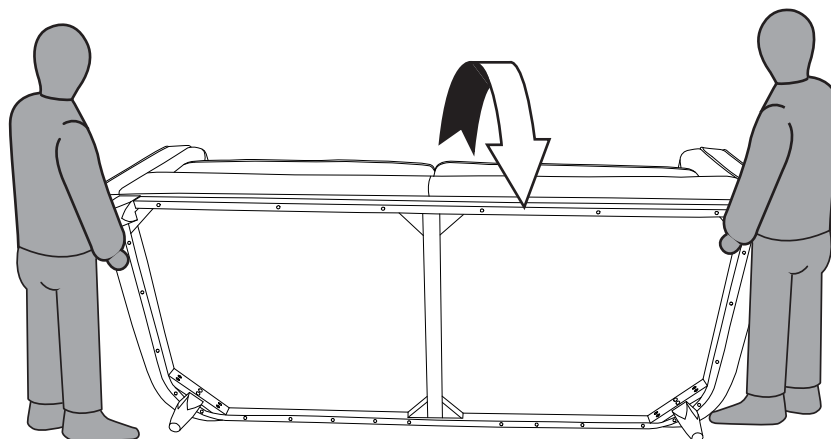
Stand loveseat up on an even surface and check that it is balanced. If there is a slight wobble, apply downward pressure in the corner where a leg is uneven. Keeping pressure in that corner, tighten all bolts. If balanced, apply downward pressure evenly in the center and tighten all bolts. Do not over-tighten beyond hole depth.

Helpful Tip:

-Instead of applying downward pressure while reaching under to tighten bolts, have someone sit in the loveseat while you tighten the bolts.

4

Two people are required to orientate the loveseat on an even surface and check that it is balanced.



Cleaning & Care

Treat surface with care. Clean surfaces with a dry or damp soft cloth. Do not use abrasive cleaners. Hardware may loosen over time. Periodically check that all connections are tight.