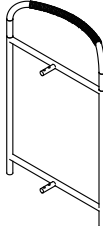
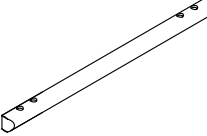
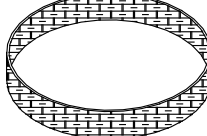
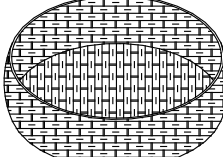
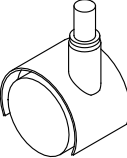
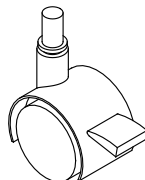
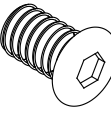
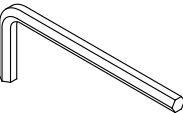
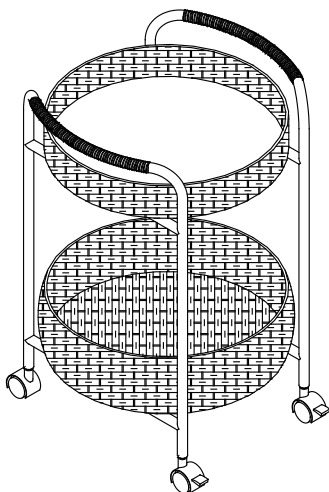


ASSEMBLY INSTRUCTIONS

BAR CART WITH 2 BOTTOM PANELS

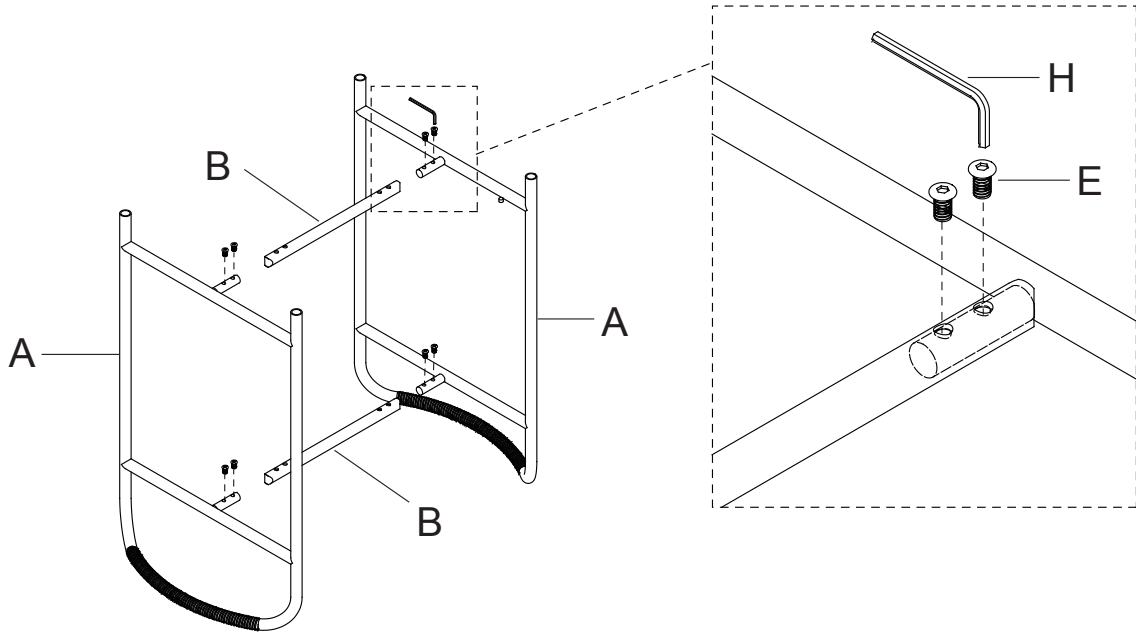
<p>e</p> 	<p>B Post</p> 	<p>C Top Basket</p> 
<p>2pcs</p> <p>D Bottom Basket</p> 	<p>2pcs</p> <p>E Wheel</p> 	<p>1pc</p> <p>F Wheel With Lock</p> 
<p>1pc</p> <p>G Bolt M6 x 10mm</p>  <p>8pcs</p>	<p>2pcs</p> <p>H Allen Key M4</p>  <p>1pc</p>	<p>2pcs</p>



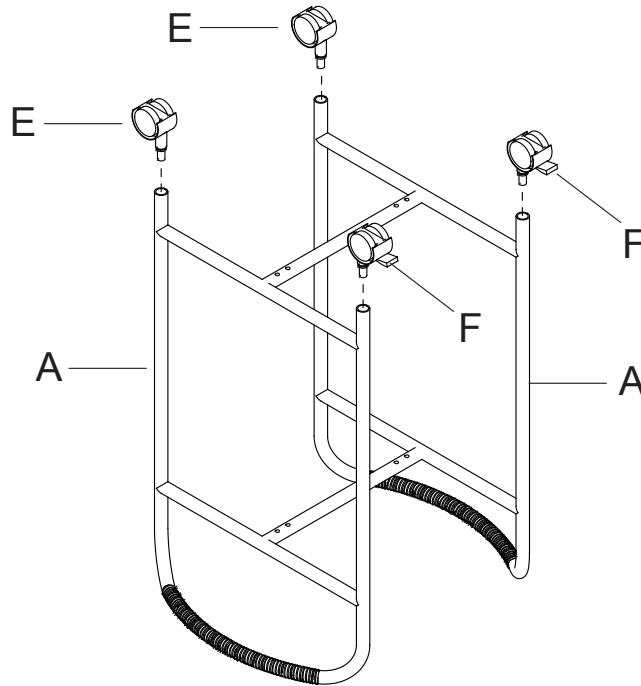
This page lists all the contents included in the box. Please take the time to identify the hardware as well as the individual components to this product. As you unpack and prepare for assembly, place the contents on a carpeted or padded area to protect them from damage.

1

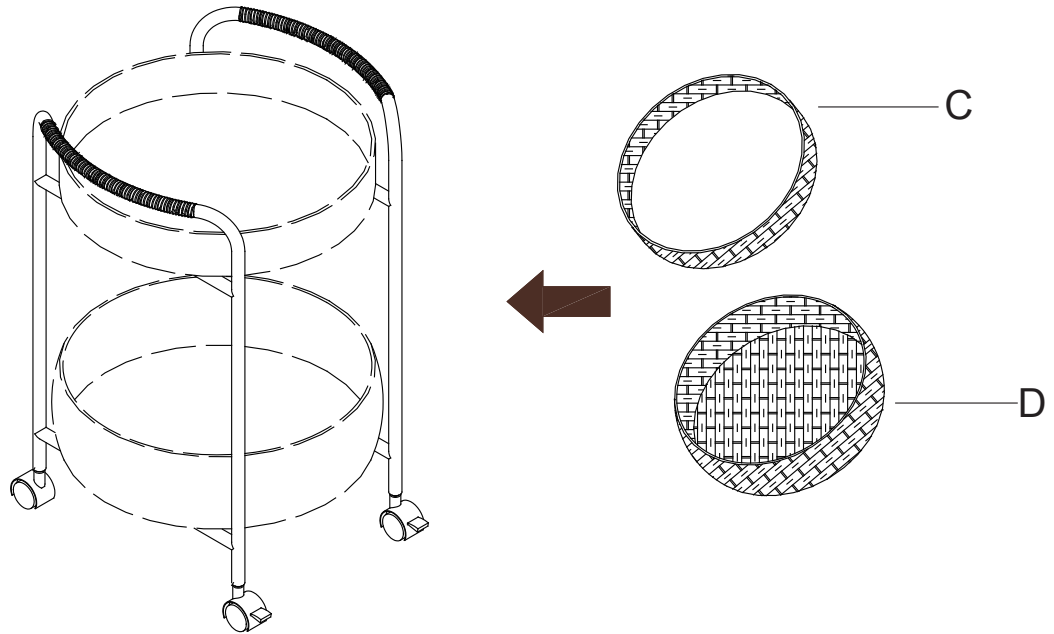
Attach the Post (B) to the Frame (A) using Bolt (G) with the Allen Key (H).

**2**

Attach the Wheel (E) and Wheel With Lock (F) to the bottom of the Frame (A).



3 Stand the assembled frames and place the Top & Bottom Basket (C & D) onto it.



Cleaning & Care

Treat surfaces with care. Surfaces are resistant to scratches but are not scratch resistant. Clean surfaces with a dry or damp soft cloth. Do not use abrasive cleaners. Hardware may loosen over time. Periodically check that all connections are tight.