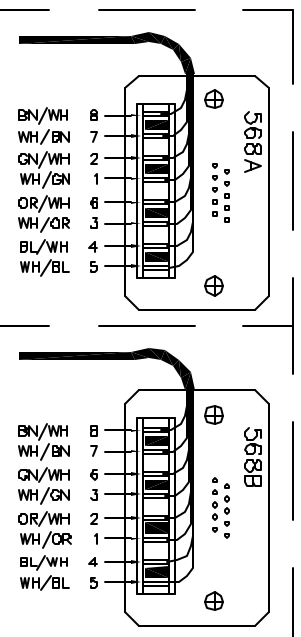


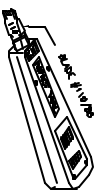
REVISIONS			
REV.	DESCRIPTION	DATE	APPROVED
1	WAS 216 8744D004	04/02/97	

CAUTION: VERIFY WIRING, LABEL ON MODULE SHOULD BE STAMPED '568A' or '568B' or 'USOC'.



CABLE INSTALLATION

NOTE: Maintain pair twist up to point of termination, for maximum data performance. The station cables must be routed at the rear of the IMO outlet as displayed in the drawing above. Excess wires must be trimmed when using push-on caps to terminate the station wire to the 110 type insert. NOTE: SEE REVERSE SIDE FOR CABLE TERMINATION INSTRUCTIONS.



REQUIRED TERMINATION TOOL  
 OR-40200028 (T004)  
 OR-40200028 (B20B)  
 110 IMPACT TOOL FOR  
 TERMINATION OF CABLE Pairs

**WIRING CHART**

110C-4 RJ45 COLOR CODE	RJ45 RJ45 USOC WIRING	RJ45 RJ45 EIA 568-A WIRING	RJ45 RJ45 EIA 568-B WIRING	RJ45 X RJ45 USOC WIRING
1 2 3 4 5 6 7 8	1 2 3 4 5 6 7 8	4 5 3 6 2 1 7 8	4 5 3 6 2 1 7 8	4 5 3 6 2 1 7 8

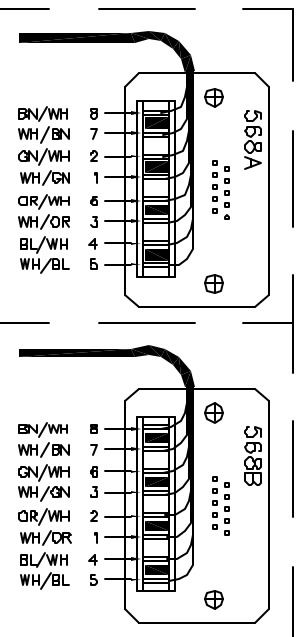


FAVORITELOCK, CT 06379  
 (203) 559-1790

DATE: 04/02/1997 REV: 1 PART# 71600084 CAD: 000841  
 45 DEGREE  
 SERIES 2 IMO INSTRUCTION SHEETS SINGLE JACK

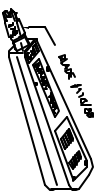
REVISIONS			
REV.	DESCRIPTION	DATE	APPROVED
1	WAS 216 8744D004	04/02/97	

CAUTION: VERIFY WIRING, LABEL ON MODULE SHOULD BE STAMPED '568A' or '568B' or 'USOC'.



CABLE INSTALLATION

NOTE: Maintain pair twist up to point of termination, for maximum data performance. The station cables must be routed at the rear of the IMO outlet as displayed in the drawing above. Excess wires must be trimmed when using push-on caps to terminate the station wire to the 110 type insert. NOTE: SEE REVERSE SIDE FOR CABLE TERMINATION INSTRUCTIONS.



REQUIRED TERMINATION TOOL  
 OR-40200028 (T004)  
 OR-40200028 (B20B)  
 110 IMPACT TOOL FOR  
 TERMINATION OF CABLE Pairs

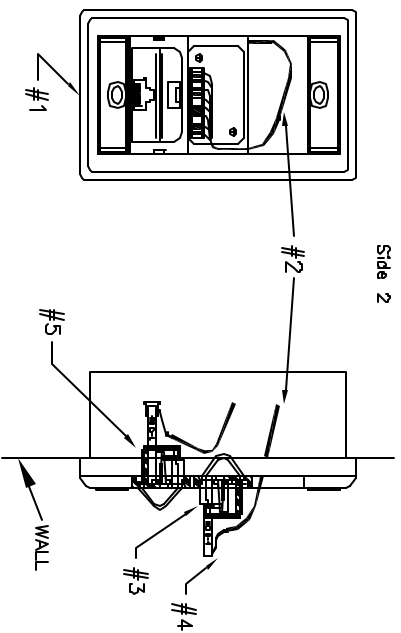
**WIRING CHART**

110C-4 RJ45 COLOR CODE	RJ45 RJ45 USOC WIRING	RJ45 RJ45 EIA 568-A WIRING	RJ45 RJ45 EIA 568-B WIRING	RJ45 X RJ45 USOC WIRING
1 2 3 4 5 6 7 8	1 2 3 4 5 6 7 8	4 5 3 6 2 1 7 8	4 5 3 6 2 1 7 8	4 5 3 6 2 1 7 8



FAVORITELOCK, CT 06379  
 (203) 559-1790

DATE: 04/02/1997 REV: 1 PART# 71600084 CAD: 000841  
 45 DEGREE  
 SERIES 2 IMO INSTRUCTION SHEETS SINGLE JACK

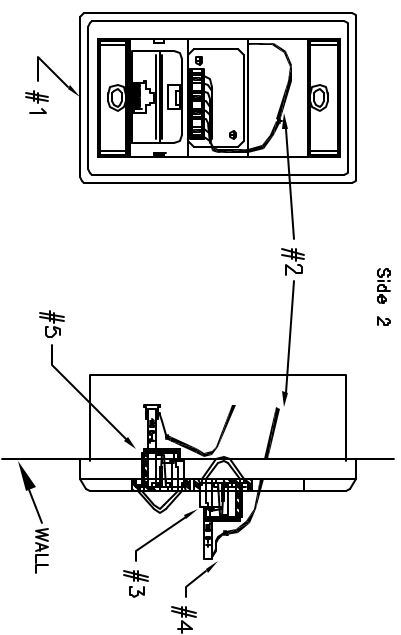


1. MOUNT WALL PLATE TO WALL WITHOUT THE MODULES INSTALLED INTO FACEPLATE.
2. BRING ALL STATION CABLES THROUGH THE OPENING OF THE FACEPLATE.

3. INSTALL 1ST MODULE INTO THE FACEPLATE WITH THE TERMINAL STRIP FACING OUT. THIS WILL SUPPORT THE MODULE DURING THE CABLE LEAD PUNCH DOWN TO THE TERMINAL STRIP.

4. TERMINATE ALL STATION CABLES TO THE MODULES.

5. REVERSE THE MODULES AND SNAP INTO THE FACEPLATE.



1. MOUNT WALL PLATE TO WALL WITHOUT THE MODULES INSTALLED INTO FACEPLATE.
2. BRING ALL STATION CABLES THROUGH THE OPENING OF THE FACEPLATE.

3. INSTALL 1ST MODULE INTO THE FACEPLATE WITH THE TERMINAL STRIP FACING OUT. THIS WILL SUPPORT THE MODULE DURING THE CABLE LEAD PUNCH DOWN TO THE TERMINAL STRIP.

4. TERMINATE ALL STATION CABLES TO THE MODULES.

5. REVERSE THE MODULES AND SNAP INTO THE FACEPLATE.