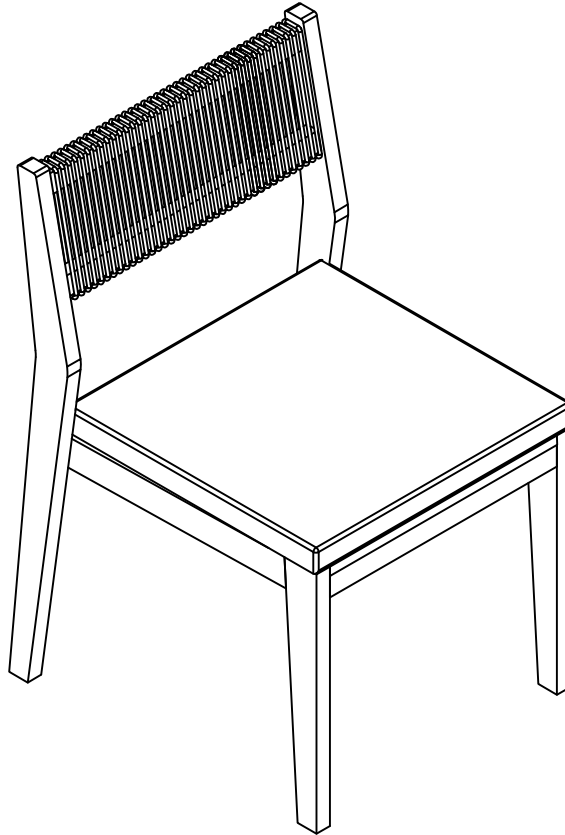


# ASSEMBLY INSTRUCTION

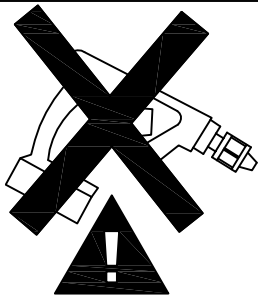
## 2 Pack Dining Stacking Chair

80-OUTD-WD-2CH 21"Lx22"Wx33"H

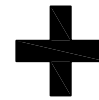
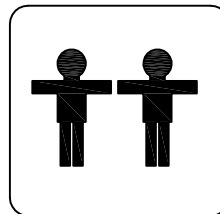


### Customer Service

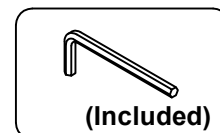
If you have any questions about assembly or possible missing parts, please contact us and we will be glad to assist you. Contact us through our website: [www.TeamCustomerService.com](http://www.TeamCustomerService.com)



. Use of power tool to assemble this product will invalidate any claim and damage this product making it unsafe !!!  
. Please assemble on a clean soft surface to avoid damage.

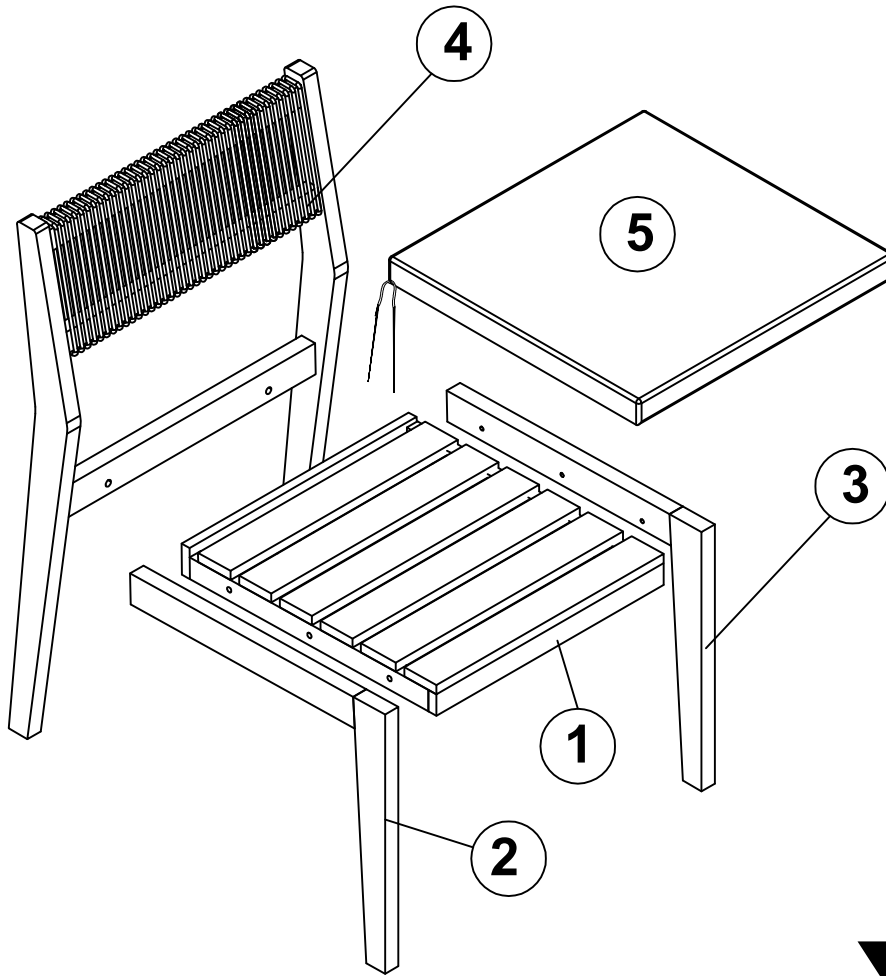


### Tools Required



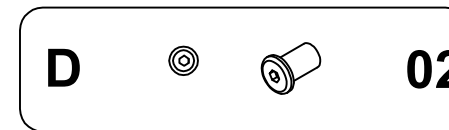
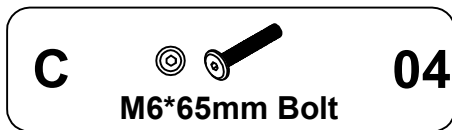
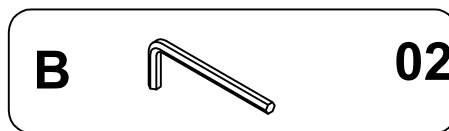
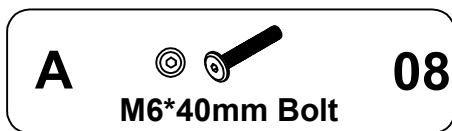
[www.TeamCustomerService.com](http://www.TeamCustomerService.com)

# Part list - 2 Pack Dining Stacking chair



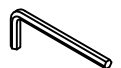
# X2

Identifying the hardware-Identify the hardware using the illustrations below

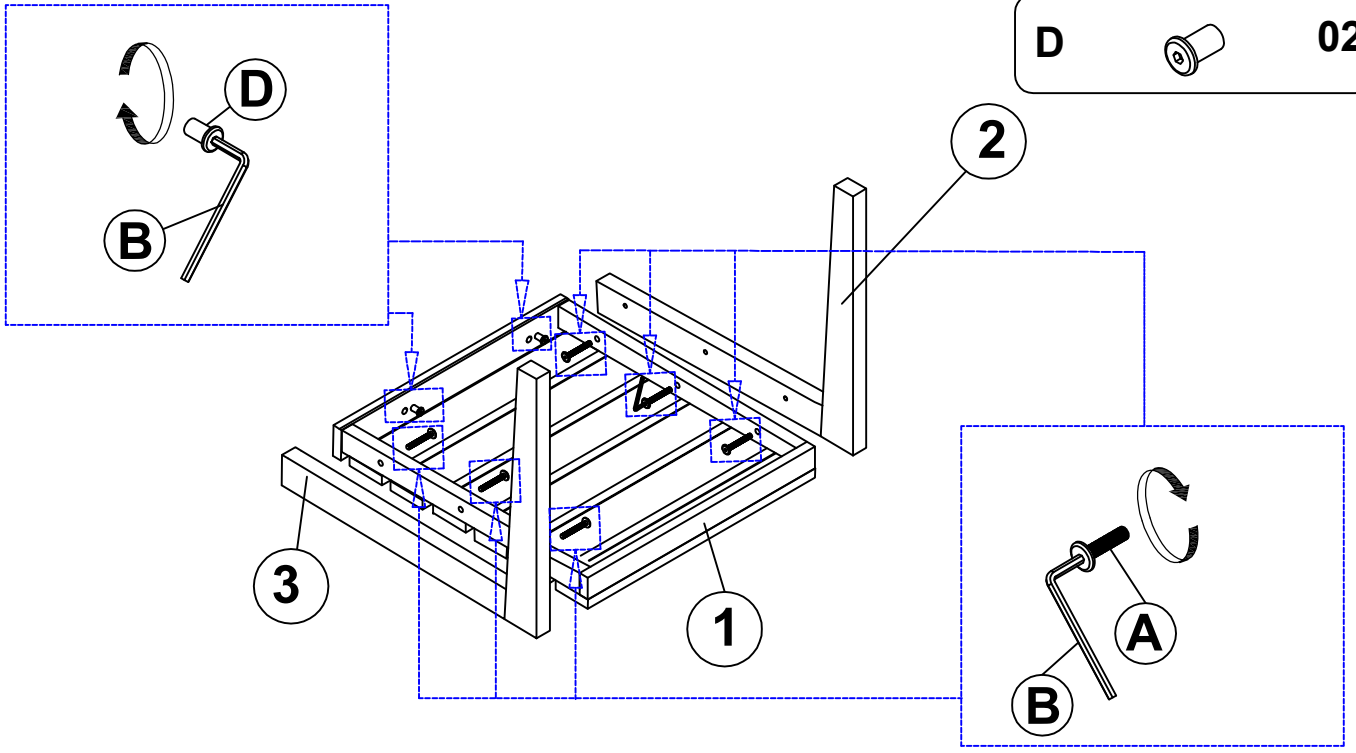


# Step 01

**A**  **06**  
M6\*40mm Bolt

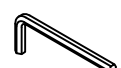
**B**  **01**

**D**  **02**

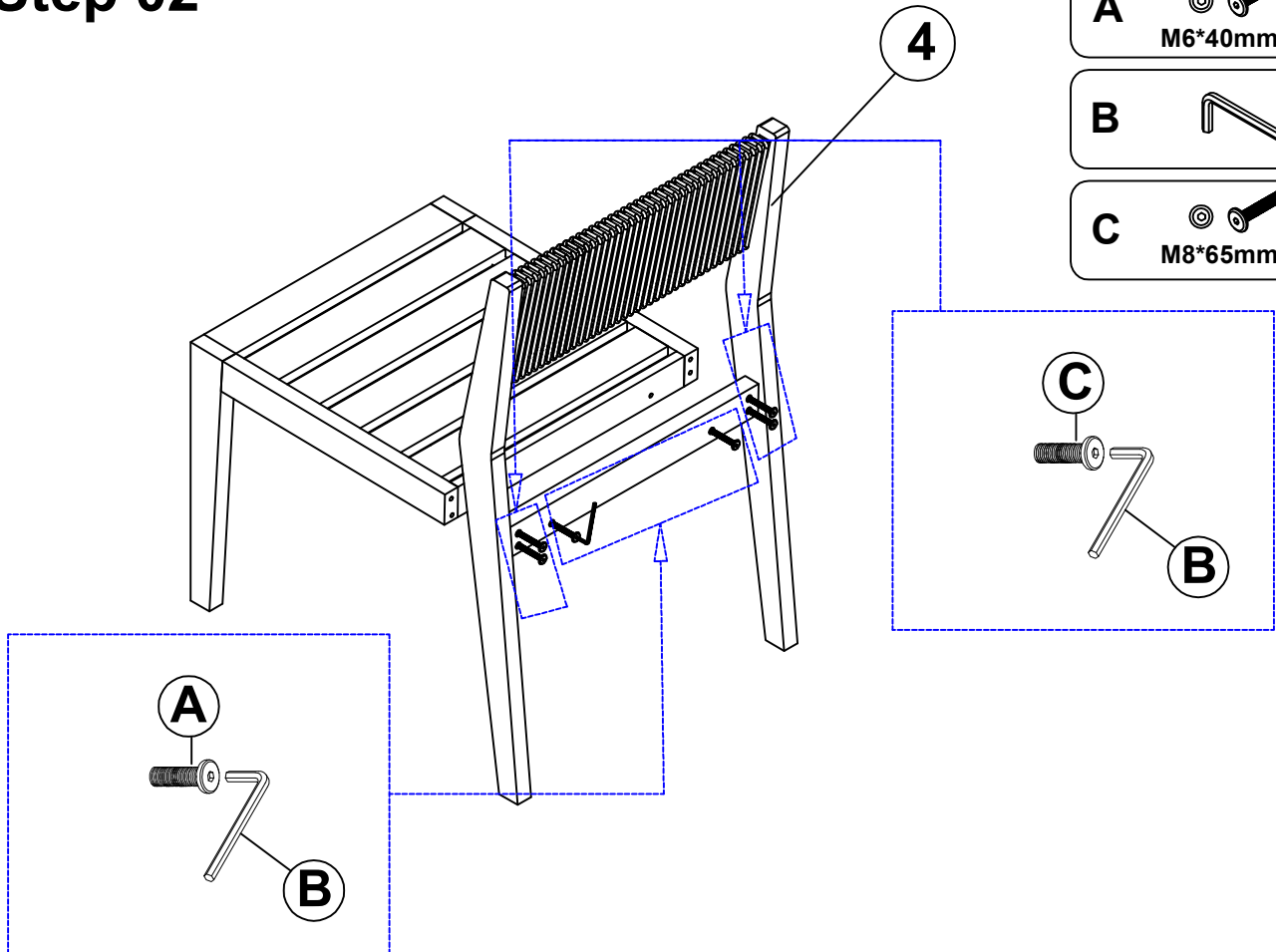


# Step 02

**A**  **02**  
M6\*40mm Bolt

**B**  **01**

**C**  **04**  
M8\*65mm Bolt



# Step 03

