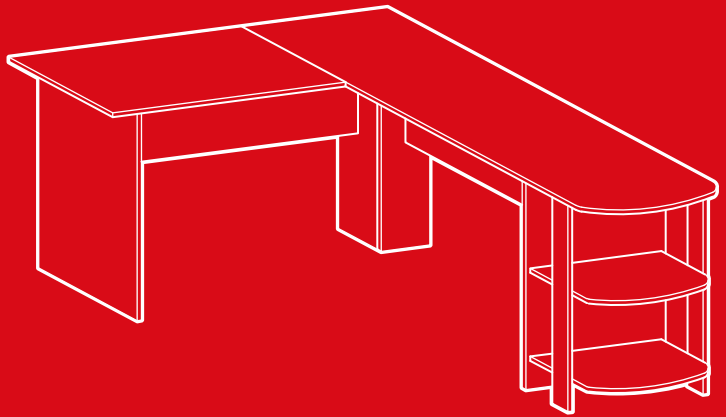




bestchoiceproducts



INSTRUCTION MANUAL

L-Shaped Corner
Computer Desk



bestchoiceproducts

As shoppers, we're always trying to find the perfect balance between quality & value. At BCP, we believe we've achieved that. Our diverse catalog of everyday essentials is tailored especially to our customers & guaranteed to hit that sweet spot of high quality & low price.

— Always. —

! NOTICE

Please retain these instructions for future reference.

- Please do not exceed the weight limitations of this item.
- Do not stand on or use any part of this item as a step ladder.
- Firmly secure all bolts, screws and knobs before use.
- Reconfirm that all bolts, screws, and knobs are secure every 90 days.
- Fasten screws loosely during initial assembly. Do not firmly tighten the screws until the item is completely assembled.
- Do not use or store this item in the proximity of open flame or flammable/combustible chemicals.
- Be aware that some parts are heavy and have sharp edges.
- If any parts are missing, broken, damaged, or worn, stop using this product until repairs are made and/or factory replacement parts are installed.
- Do not use this item in a way inconsistent with the manufacturer's instructions as this could void the product warranty.

TOOLS



FLAT HEAD
SCREWDRIVER



50 LBS
CAPACITY

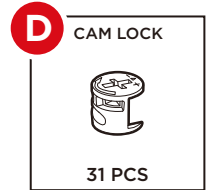
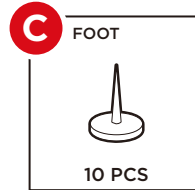
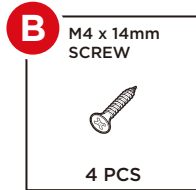
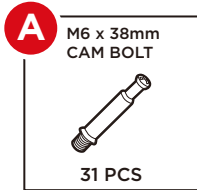


2 PERSON
ASSEMBLY

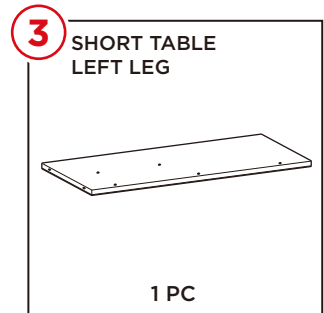
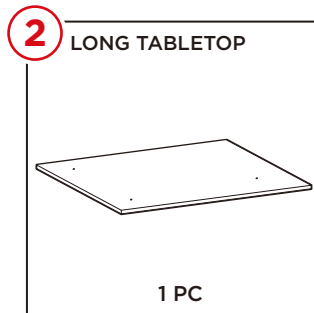
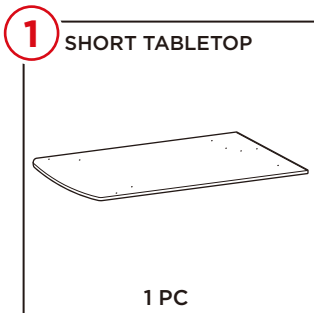


UP TO 1 HR.
ASSEMBLY

HARDWARE



PARTS



PARTS

4 LONG TABLE
LEFT LEG



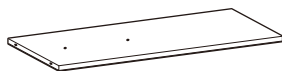
1 PC

5 SHORT TABLE
RIGHT LEG



1 PC

6 LONG TABLE
RIGHT LEG



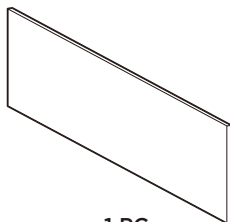
1 PC

7 SHELF SUPPORT



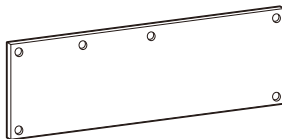
2 PCS

8 SHORT BOARD



1 PC

9 LONG BOARD



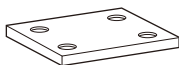
1 PC

10 SHELF



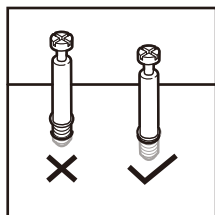
2 PCS

11 BRACKET

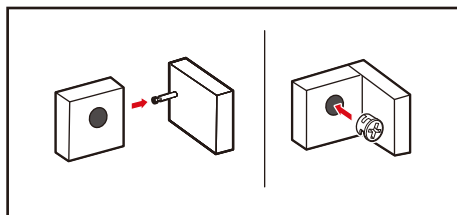


1 PC

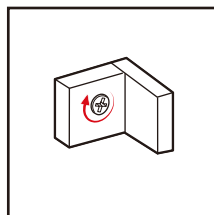
TIGHTENING CAMLOCKS



1. Screw cam bolt in completely.



2. Insert cam bolt and cam lock into designated holes.

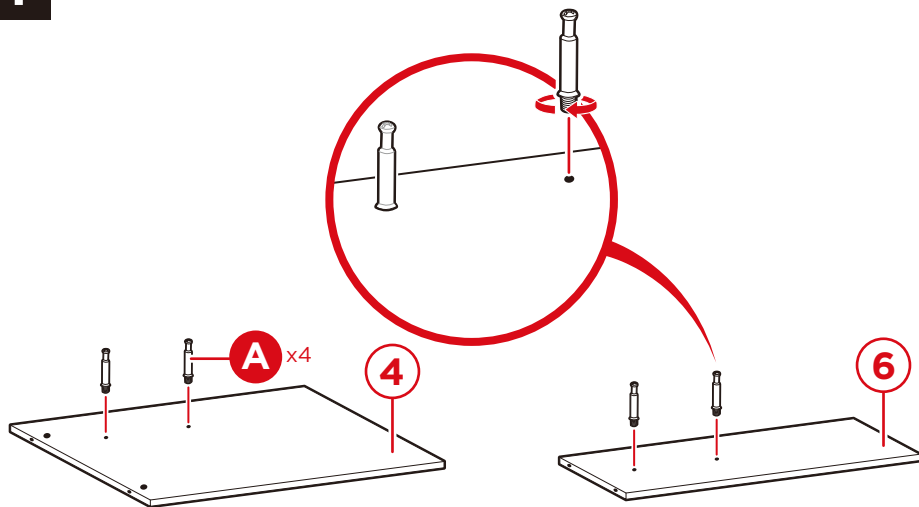


3. Screw cam lock clockwise to secure cam bolt.

PRODUCT ASSEMBLY

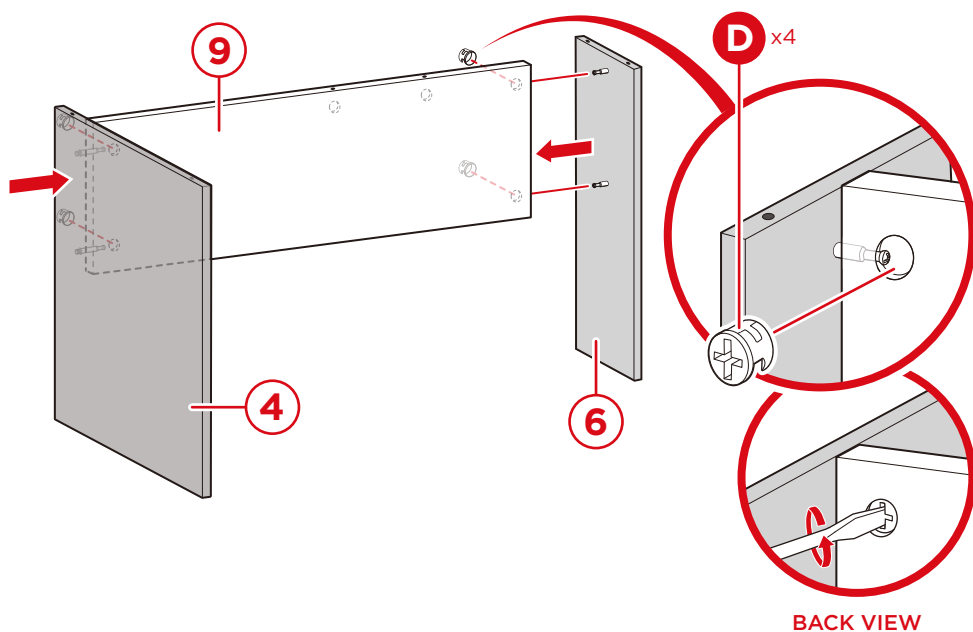
1

Screw four part A cam bolts into the part 4 long table left leg and part 6 long table right leg.



2

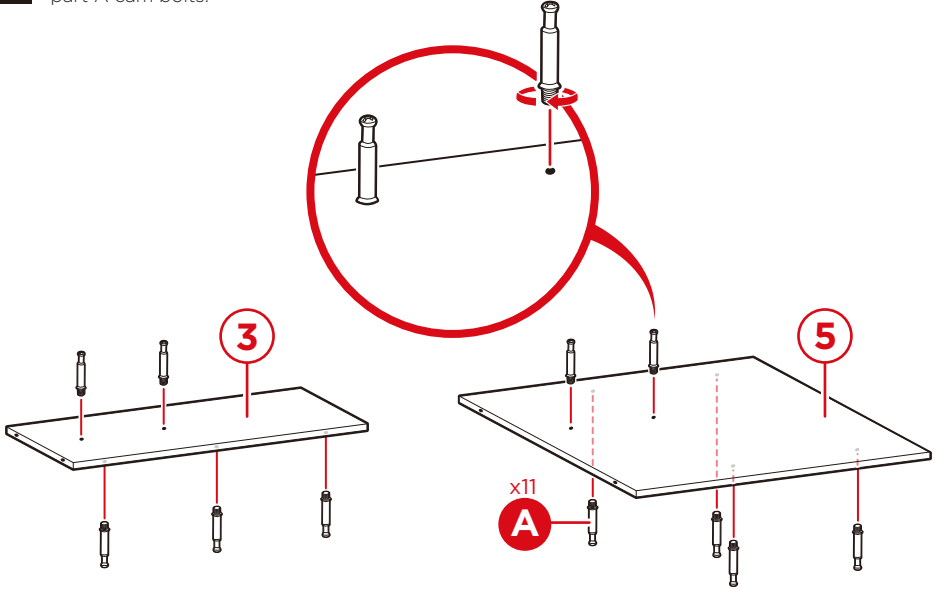
Insert the cam bolts on the long table left/right legs into the part 9 long board. Insert four part D cam locks into the table back, and attach the legs by locking the cam locks.



PRODUCT ASSEMBLY

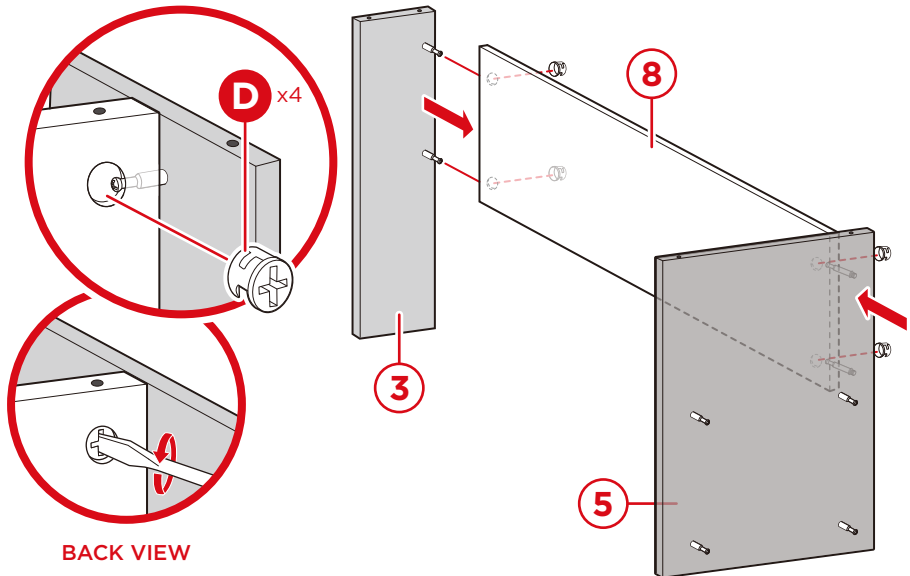
3

Screw eleven part A cam bolts into the part 3 short table left leg and part 5 short table right leg.
NOTE: Some of the embedded holes are covered with PVC, which can be directly screwed with part A cam bolts.



4

Insert the cam bolts on the short table left/right legs into the part 8 short board. Insert four part D cam locks into the table back, and attach the legs by locking the cam locks.

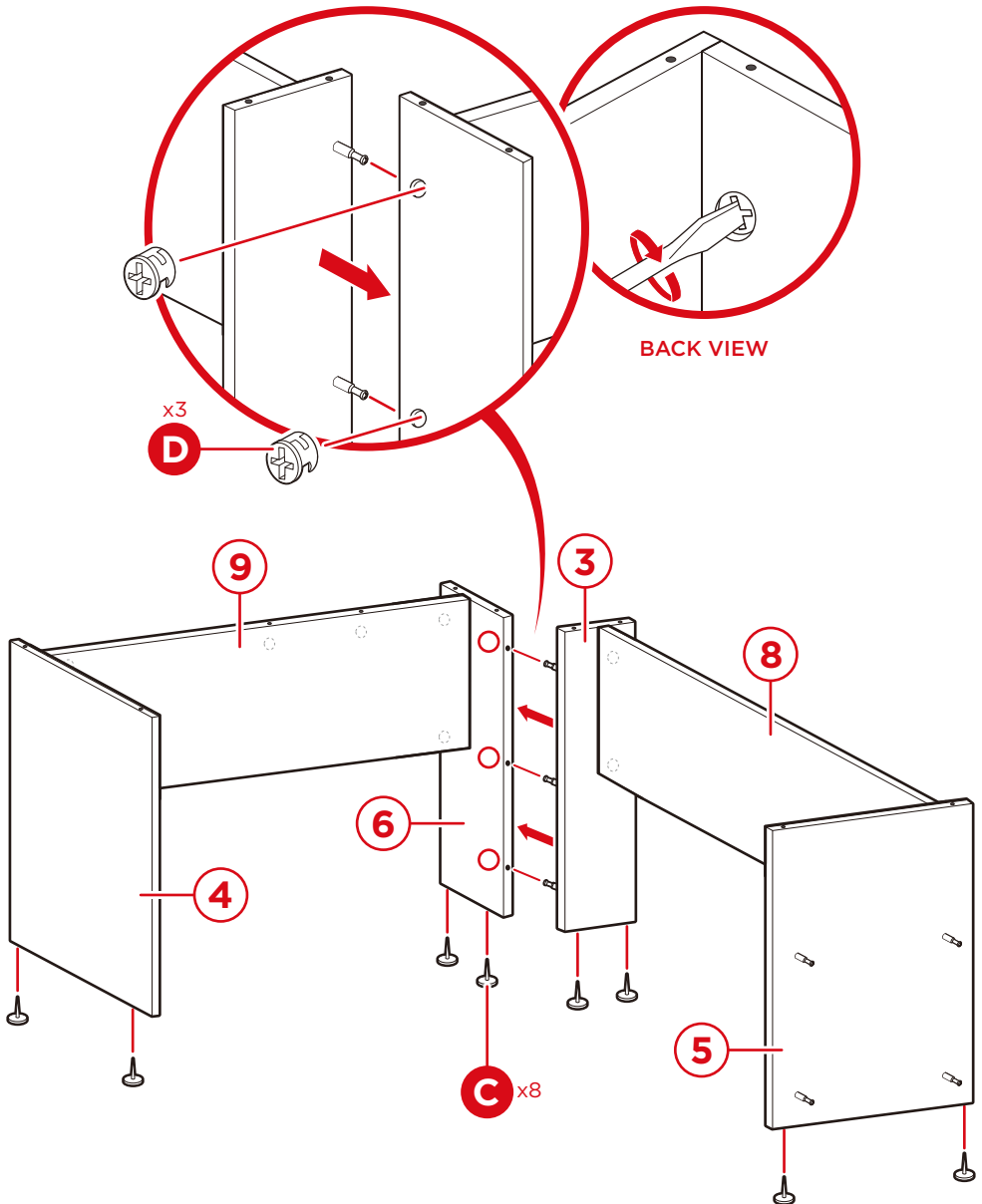


PRODUCT ASSEMBLY

5

Insert the cam bolts on the short board table into the long board table. Insert three part D cam locks into the long board table, and attach the tables together by locking the cam locks.

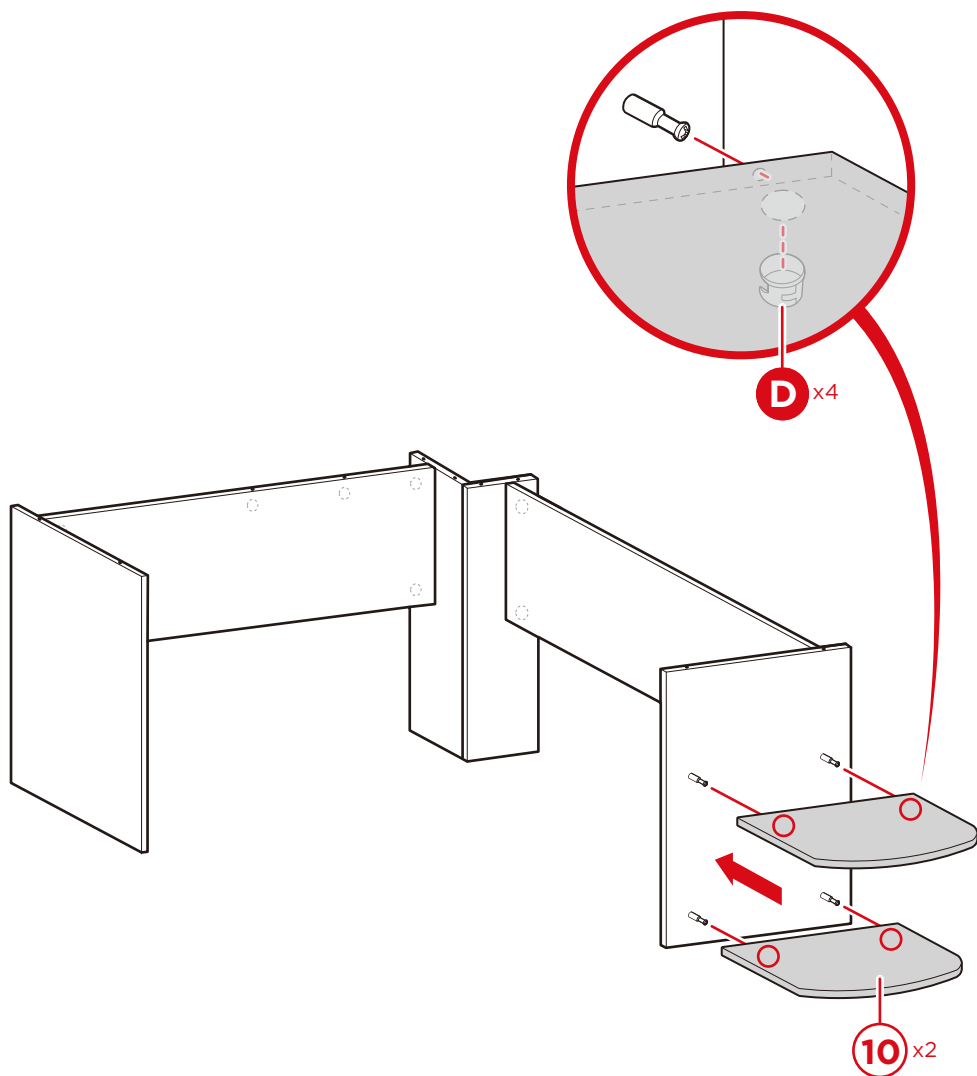
Insert eight part C feet onto the table.



PRODUCT ASSEMBLY

6

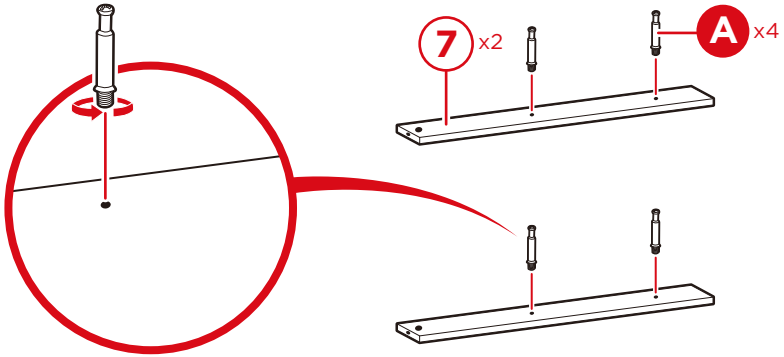
Insert two part 10 shelves onto the cam bolts on the side of the short board table.
Insert four part D cam locks into the shelves, and attach the shelves by locking the cam locks.



PRODUCT ASSEMBLY

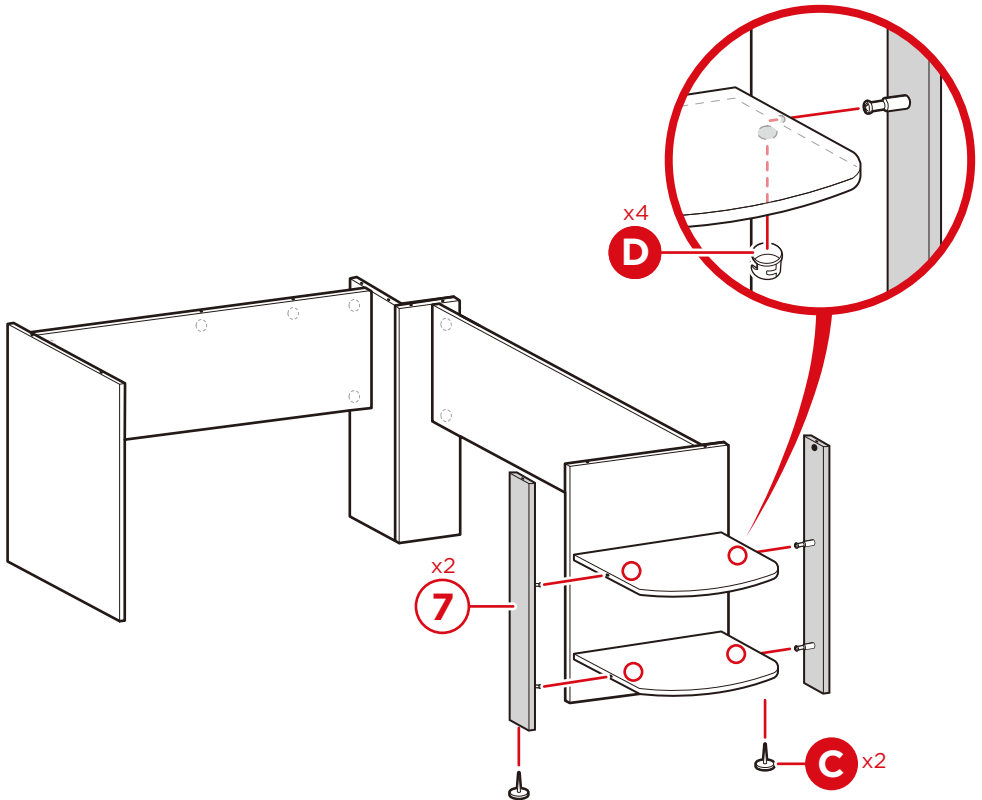
7

Screw four part A cam bolts into two part 7 shelf supports, two bolts per shelf.



8

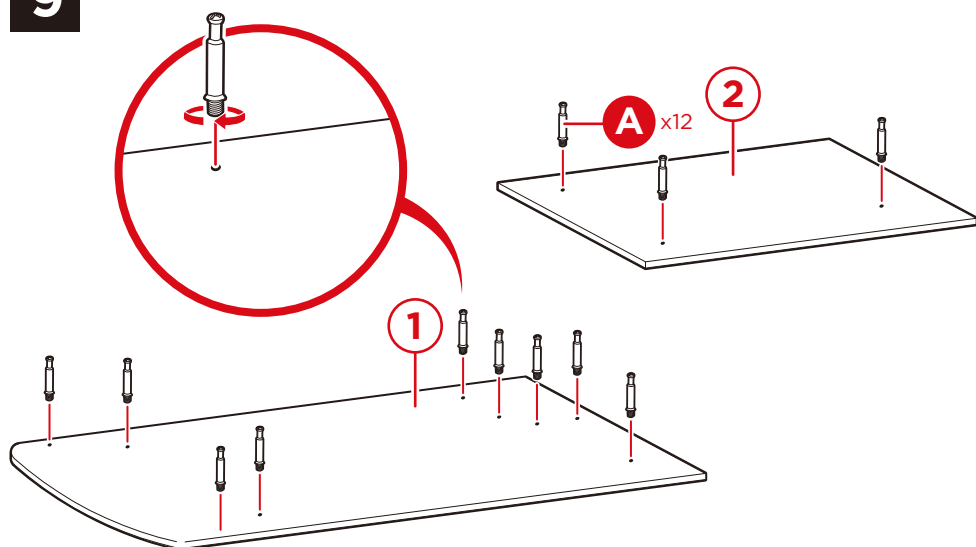
Insert the shelf supports into the sides of the short board table. Insert four part D cam locks into the shelves and shelf supports, and attach the shelf supports by locking the cam locks. Insert two part C feet onto the shelf supports.



PRODUCT ASSEMBLY

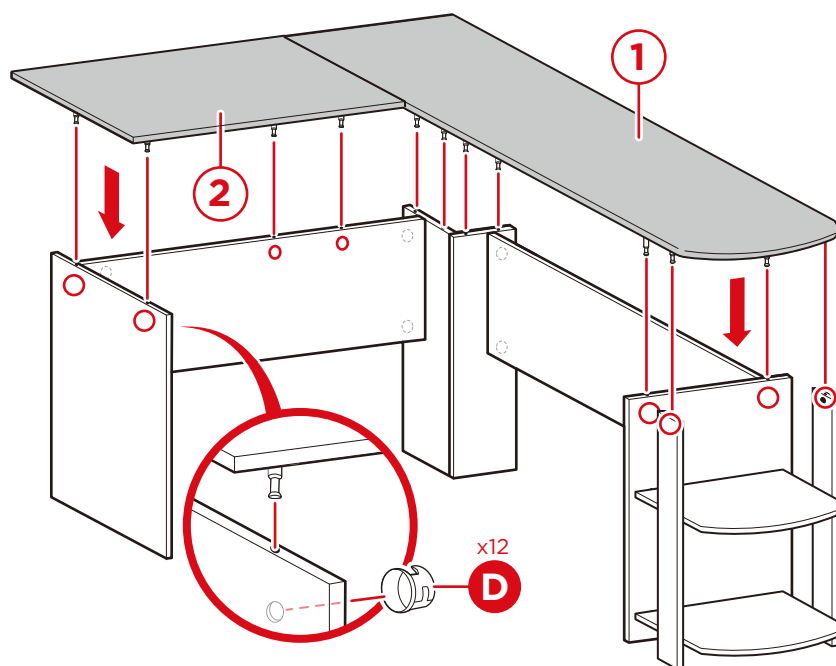
9

Screw twelve part A cam bolts into the part 1 long tabletop and part 2 short tabletop.



10

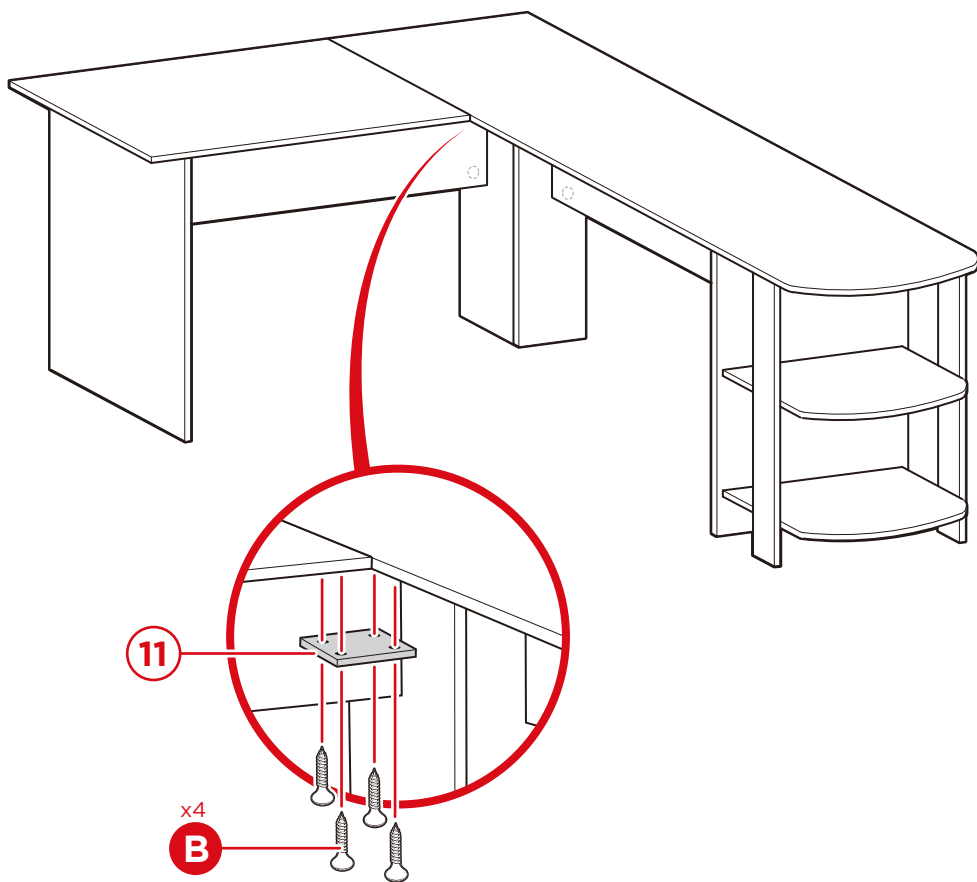
Insert the cam bolts on the long/short tabletops into the table frame. Insert twelve part D cam locks into the table frame, and attach the tabletops to the frame by locking the cam locks.



PRODUCT ASSEMBLY

11

Attach the part 11 bracket with four part B screws.





HELP CENTER



Question about your product? We're here to help. Visit us at:

help.bestchoiceproducts.com



Chat Support



Product Inquiry



Orders FAQ



Product Assembly



Returns & Refunds

PRODUCT WARRANTY INFORMATION

All items can be returned for any reason within 60 days of the receipt and will receive a full refund as long as the item is returned in its original product packaging and all accessories from its original shipment are included. All returned items will receive a full refund back to the original payment method. All returned items will not be charged a re-stocking fee.

All returned items require an RA (Return Authorization) number, which can only be provided by a Best Choice Products Customer Service Representative when the return request is submitted. Items received without an RA may not be accepted or may increase your return processing time. Once an item has been received by Best Choice Products, refunds or replacements will be processed within 5 business days.

All returns must be shipped back to the Best Choice Products Return Center at the customer's expense. If the reason for return is a result of an error by Best Choice Products then Best Choice Products will provide a pre-paid shipping label via email. Boxes for return shipping will not be provided by Best Choice Products, and is the customer's responsibility to either use the original shipping boxes or purchase new boxes.

Pictures may be required for some returns to ensure an item is not damaged prior to its return. Items returned are not considered undamaged until they are received by Best Choice Products and verified as such. All damages to items are the customer's responsibility until the item has been received by and acknowledge by Best Choice Products as undamaged.



WARNING

Manufacturer and seller expressly disclaim any and all liability for personal injury, property damage or loss, whether direct, indirect, or incidental, resulting from the incorrect attachment, improper use, inadequate maintenance, unapproved modification, or neglect of this product.