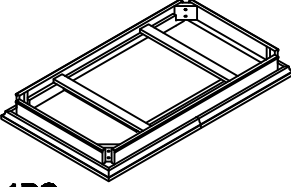
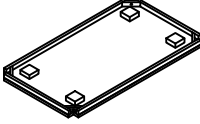
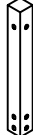



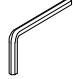


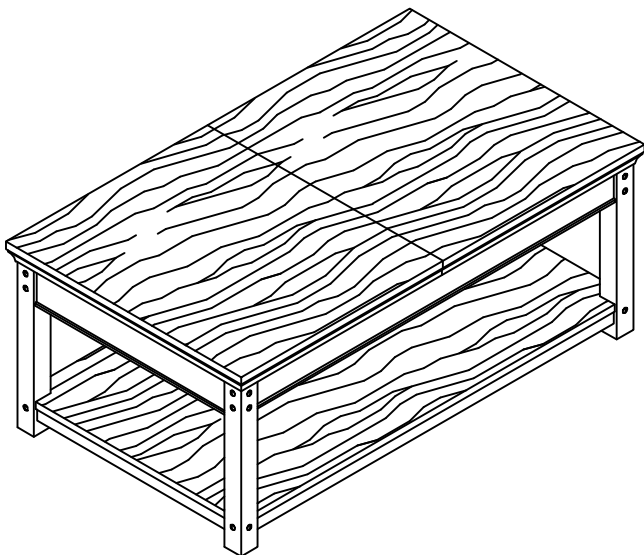


ASSEMBLY INSTRUCTION

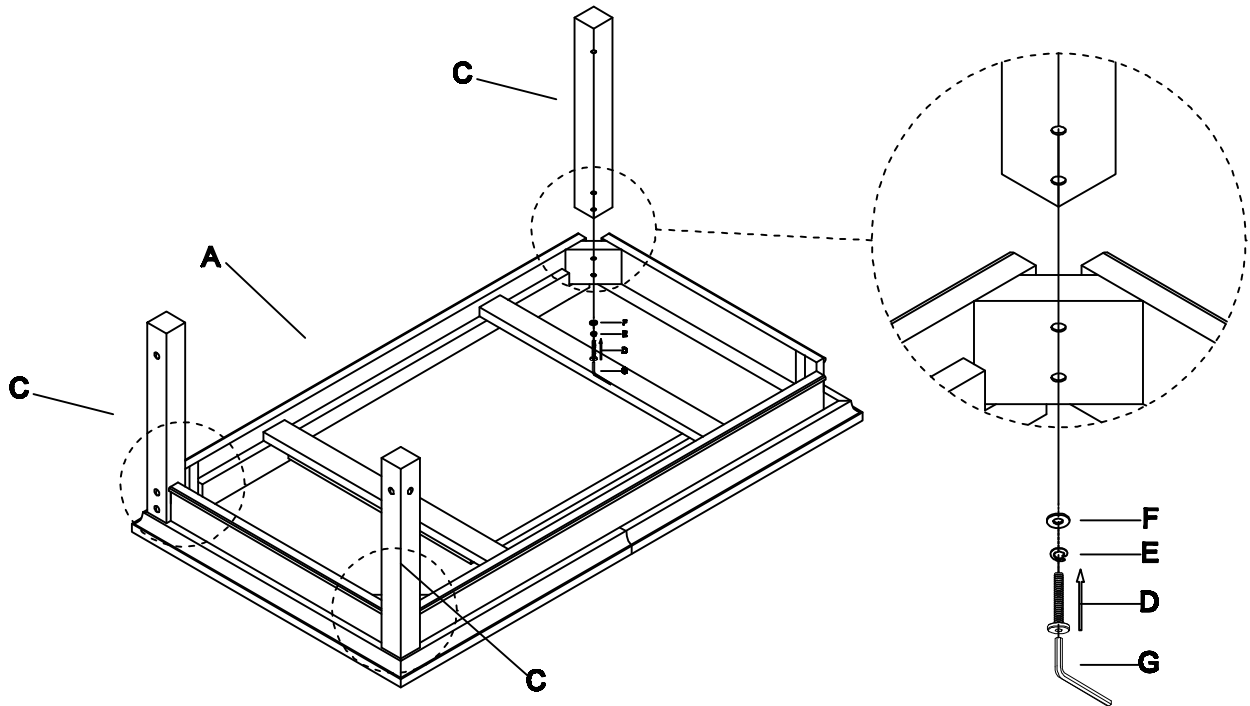
074-30 LIFT-TOP COCKTAIL TABLE

A Top Panel 	B Bottom Shelf 	C Metal Leg 	D Bolt $\phi 1/4" \times 1-3/4"$ 
E Spring Washer $1/4"$ 	F Flat Washer $1/4" \times 16\text{mm}$ 	G Wrench 4mm 	H Caster $2"$ 
I Screw $\#8 \times 3/4"$  16PCS	12PCS	12PCS	1PCS

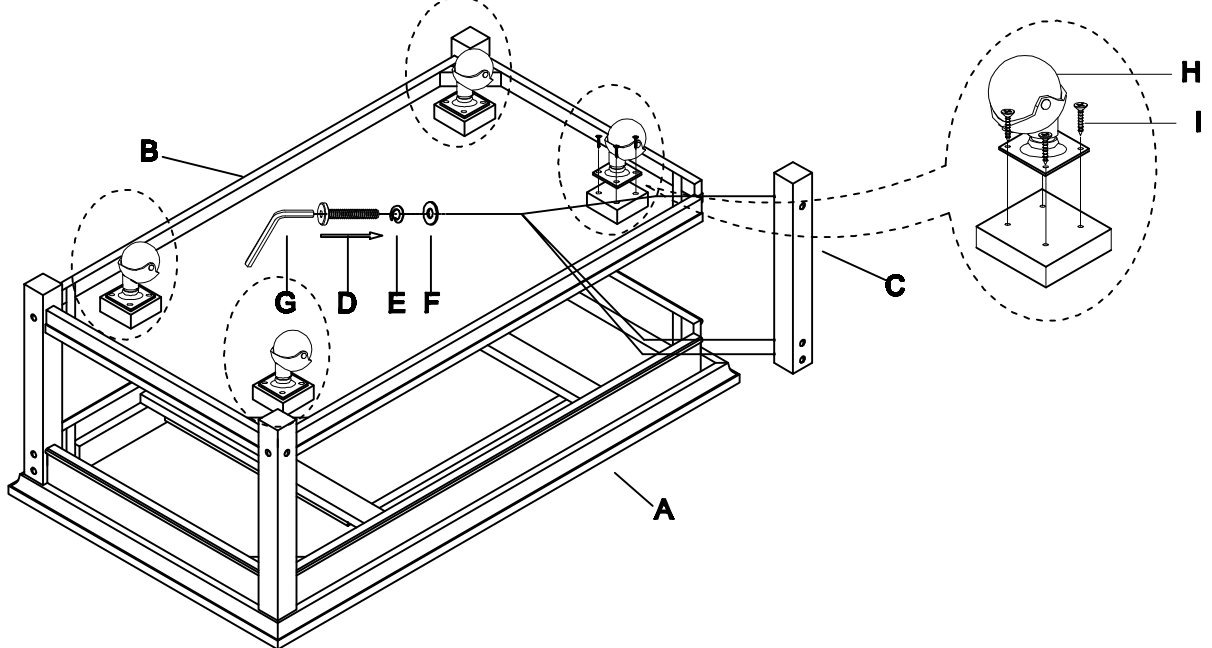


This page lists all the contents included in the box. Please take the time to identify the hardware as well as the individual components to this product. As you unpack and prepare for assembly, place the contents on a carpeted or padded area to protect them from damage.

1 Attach 3pcs Metal Leg (C) to Top Panel (A) using Bolt (D), Spring Washer (E), Flat Washer (F) by Wrench (G).



2 Attach Bottom Shelf (B) to 3pcs Metal Leg (C) using Bolt (D), Spring Washer (E), Flat Washer (F) by Wrench (G), then assemble the 4th Metal Leg (C) on Top Panel (A) and Bottom Shelf (B) by the same method. Finally attach Caster (H) on the Bottom Shelf (B) by using Screw (I).



Cleaning & Care

Treat surface with care. Surface is resistant to scratches but is not scratch resistant. Clean surfaces with a dry or damp soft cloth. Do not use abrasive cleaners. Hardware may loosen over time. Periodically check that all connections are tight.