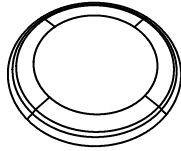


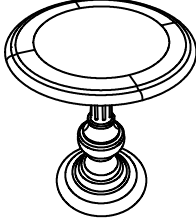


HEKMAN®

A HOWARD MILLER COMPANY

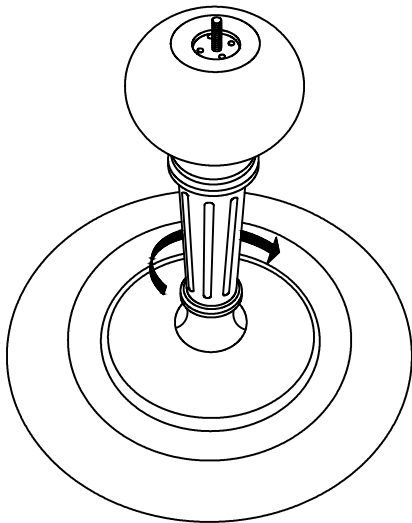
23302 CHAIRSIDE TABLE

PART INSIDE			
1	2	3	
TOP ASSEMBLY (1 Pc)	COLUMN (1 Pc)	BASE (1 Pc)	
			

Assembly Instruction

STEP 1.

ATTACH THE COLUMN (2) TO THE TOP ASSEMBLY (1).



STEP 2.

ATTACH THE BASE (3) TO THE COLUMN (1).

