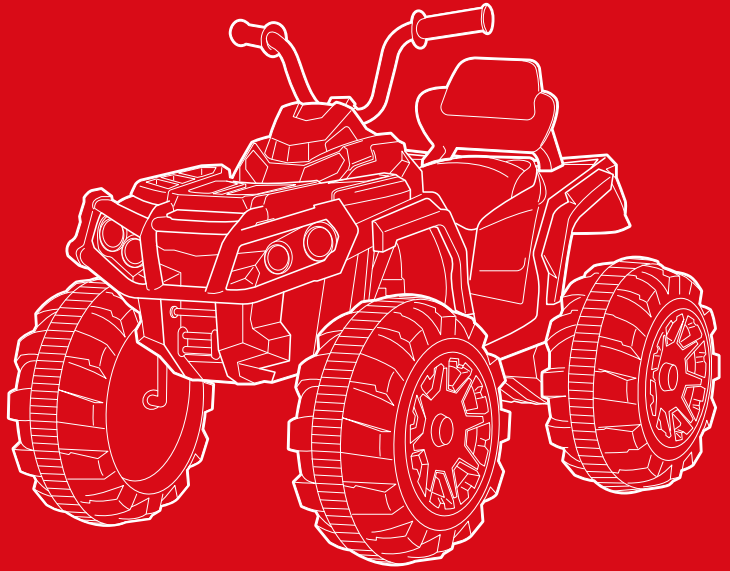




bestchoiceproducts



INSTRUCTION MANUAL

2-Speed Quad Ride-On



bestchoiceproducts

As shoppers, we're always trying to find the perfect balance between quality & value. At BCP, we believe we've achieved that. Our diverse catalog of everyday essentials is tailored especially to our customers & guaranteed to hit that sweet spot of high quality & low price.

— Always. —



Charge for **10 - 12 hrs**
before initial use.

After initial charge,
follow the normal
recommended
charging time.



SAFETY

Please retain these instructions for future reference.

This vehicle must be assembled by an adult who has read and understood the instructions in this manual. Keep the packaging and bags away from children and dispose of all packaging before use. Always use common sense and safe practices when operating this vehicle. This product contains or emits chemicals known in the state of California to cause cancer or birth defects or other reproductive harm.

NOTE: For best performance, only use this vehicle on flat and hard surfaces.

AGE RANGE: 3 to 8 years old

WEIGHT CAPACITY: 65 lbs.

The following safety hazards may result in serious injury or death:

- This product contains small parts. Keep children away during assembly. Make sure to remove all packaging material and parts from underneath the vehicle body.
- Never open the battery. Batteries contain lead and lead compounds (acids) that are toxic and corrosive, and known to the state of California to cause cancer and reproductive harm.
- Limbs, hair, and clothing can get caught in moving parts. Always wear shoes, keep limbs away from moving parts, and do not wear loose clothing while operating this vehicle.
- This vehicle does not have brakes or braking capability. Do not leave a child unattended during operation. Do not use this in a location that may require braking capability, as this could result in loss of control, which may cause serious injury or death.
- Use of this vehicle near streets, motor vehicles, steps, bodies of water, sloped surfaces, hills, wet areas, flammable vapors, in alleys, at night, or in the dark could result in an unexpected accident.
- Use of this vehicle in unsafe conditions such as snow, rain, loose dirt, mud, sand, or gravel may result in an unexpected accident such as tipping over, and could damage the electrical system or battery.
- Do not operate this vehicle in an unsafe manner. Examples include but are not limited to:
 - Pulling the vehicle with another vehicle or similar device
 - Allowing more than one rider
 - Pushing the user
 - Traveling at an unsafe speed

BATTERY WARNINGS

The following safety hazards may result in serious injury or death:

- Use of a battery or charger other than the supplied rechargeable battery and charger may cause a fire or explosion. Only use the supplied battery and charger.
- Use of the rechargeable battery and charger for any other product may result in overheating, fire, or explosion. Never use the supplied rechargeable battery and charger with another product.
- Explosive gases are created during charging. Charge the battery in a well-ventilated area. Do not charge the battery near heat or flammable materials.
- Contact between the positive and negative terminals may result in fire or explosion. Avoid direct contact between the terminals. Picking up the battery by the wires or charger can cause damage to the battery and may result in a fire. Always pick up the battery by its case or handles.
- Liquids on the battery may cause fire or electric shock. Always keep all liquids away from the battery and keep the battery dry. Contact or exposure to battery leakage (lead acid) may cause serious injury. If contact or exposure occurs immediately call your physician. If the chemical is on the skin or in the eyes, flush with cool water for 15 minutes. If the chemical was swallowed, immediately give the person water or milk. Do not give water or milk if the patient is vomiting or has a decreased level of alertness. Do not induce vomiting.
- Battery posts, terminals, and related accessories contain lead and lead compounds (acid) – chemicals known to the State of California to cause cancer, reproductive harm, and are toxic and corrosive. Never open the battery.
- Tampering or modifying the electric circuit system may cause a shock, fire or explosion and permanently damage the system. Exposed wiring and circuitry in the charger may cause electric shock. Always keep the charger housing closed.

USER WARNINGS

- Never leave a child unattended.
- Always sit in the seat when using this vehicle.
- Keep your hands, hair, and clothes away from moving parts.
- Always wear shoes when operating this vehicle.
- Only one rider is allowed on the vehicle at a time
- Children under 3 years of age cannot use the vehicle.
- Only drive on level ground.
- Do not go near swimming pools or other bodies of water, drop-offs, or up and down steep inclines.
- Do not drive the vehicle into loose dirt, mud, sand, fine gravel, or on wet surfaces.
- Do not drive the vehicle on streets or near cars.

SPECIFICATIONS

| | |
|----------------------------|-------------------------------|
| Overall Dimensions | 39.5"(L) x 26"(H) x 29.5"(H) |
| Weight | 38 lbs. |
| Weight Capacity | 65 lbs. |
| Age Range | 3 – 8 years old |
| Speed | Low: 1.9 mph., High: 3.7 mph. |
| Initial Charge Time | 10 – 12 hours |
| Charging Time | 8 – 12 hours |
| Run Time | 1 – 2 hours |
| Battery Type | 12V 7AH |
| Electric Motor | Double drive: 12V |
| Charger | Output: DC 12V |
| Material | PP Plastic, Metal |

TOOLS REQUIRED



PHILLIPS
SCREWDRIVER



PLASTIC SPANNER
(PROVIDED) (2)



65 LBS
CAPACITY



2 PERSON
ASSEMBLY



APPROXIMATELY
45 MIN.
ASSEMBLY

HARDWARE

1

M4 x 12mm
SCREW

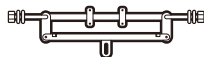


4 PCS

PARTS

A

FRONT AXLE



1 PC

B

REAR AXLE



1 PC

C

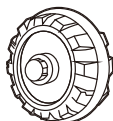
FRONT WHEEL



2 PCS

D

REAR WHEEL



2 PCS

E

HUB CAP



4 PCS

F

HANDLEBAR



1 PC

G

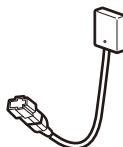
BACKREST



1 PC

H

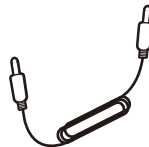
12V CHARGER



1 PC

I

AUX CABLE



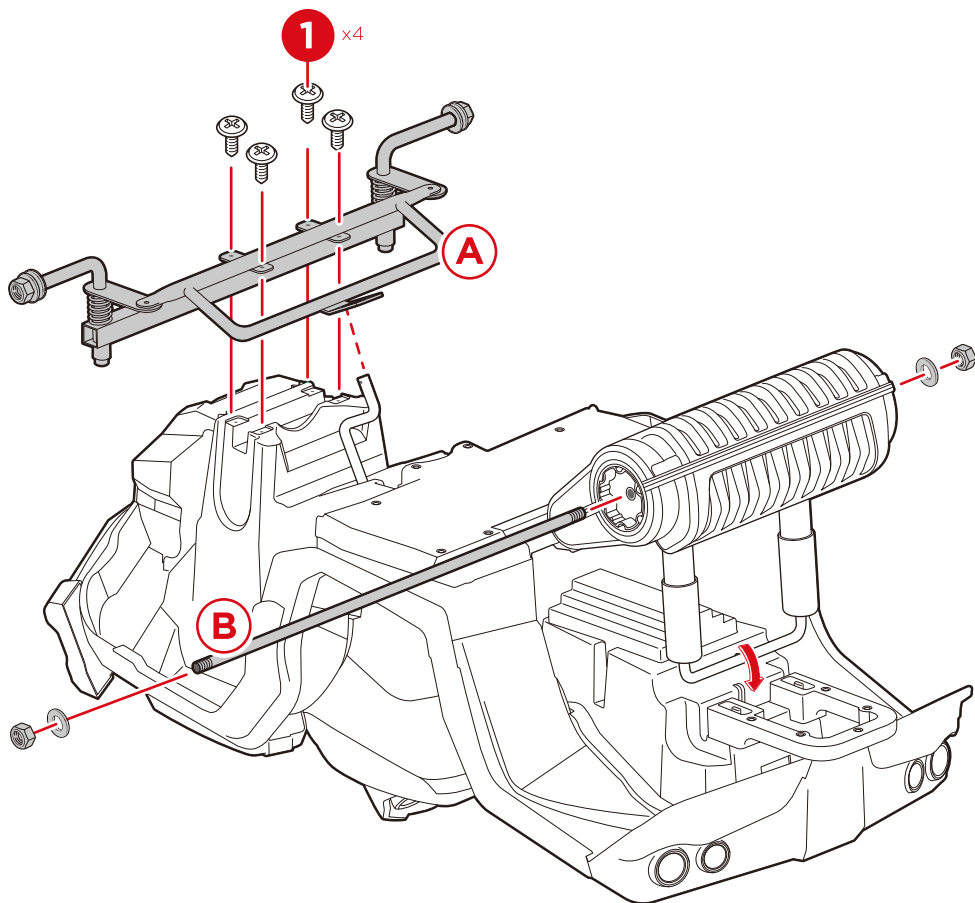
1 PC

PRODUCT ASSEMBLY

Please retain these instructions for future reference.

1

Flip the car over and lay it on a level surface. Attach the part A front axle with four part 1 screws.

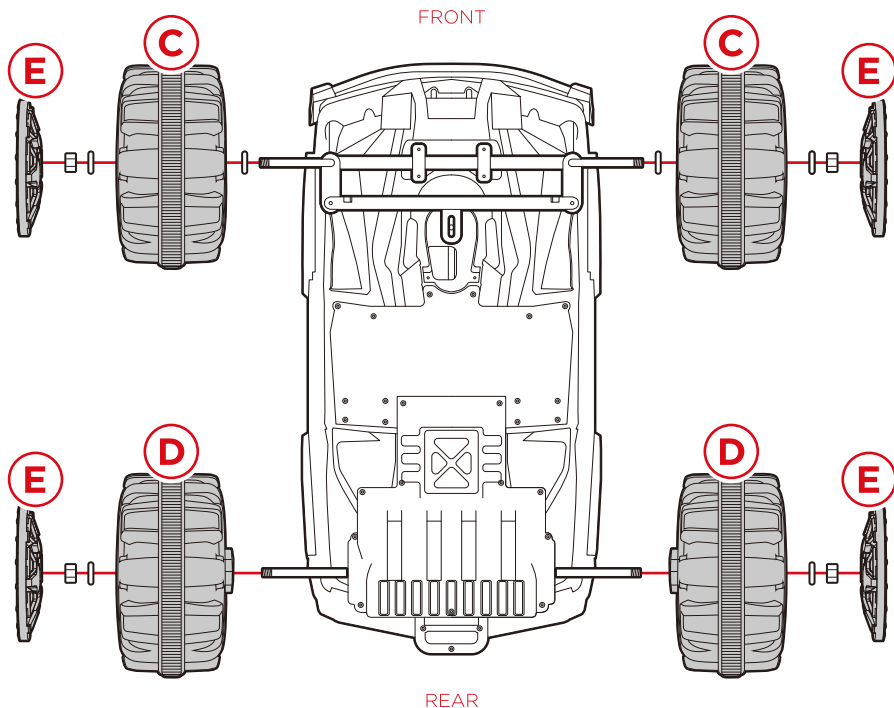


Remove the nuts/washers from the part B rear axle, then slide the rear axle through the rear gear box. Lift the rear shocks and position them into the designated slot; they will lock in place.

PRODUCT ASSEMBLY

2

Slide a part D rear wheel onto the rear axle, then replace the nut/washer to secure the wheel. Repeat on the other side.

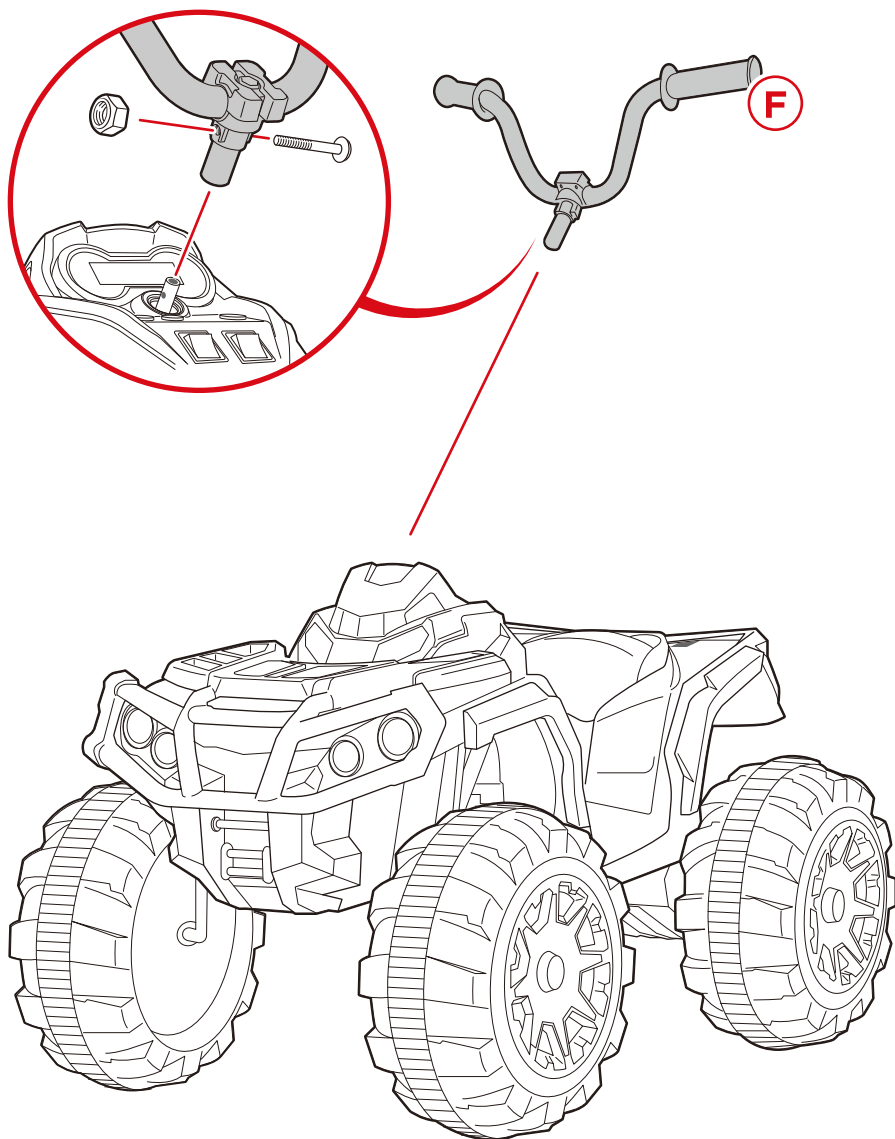


Remove the nuts/washers from the front axle. Slide a washer and part C front wheel onto the front axle, then replace a nut/washer to secure the wheel. Repeat on the other side. Snap a part E hub cap onto each wheel.

PRODUCT ASSEMBLY

3

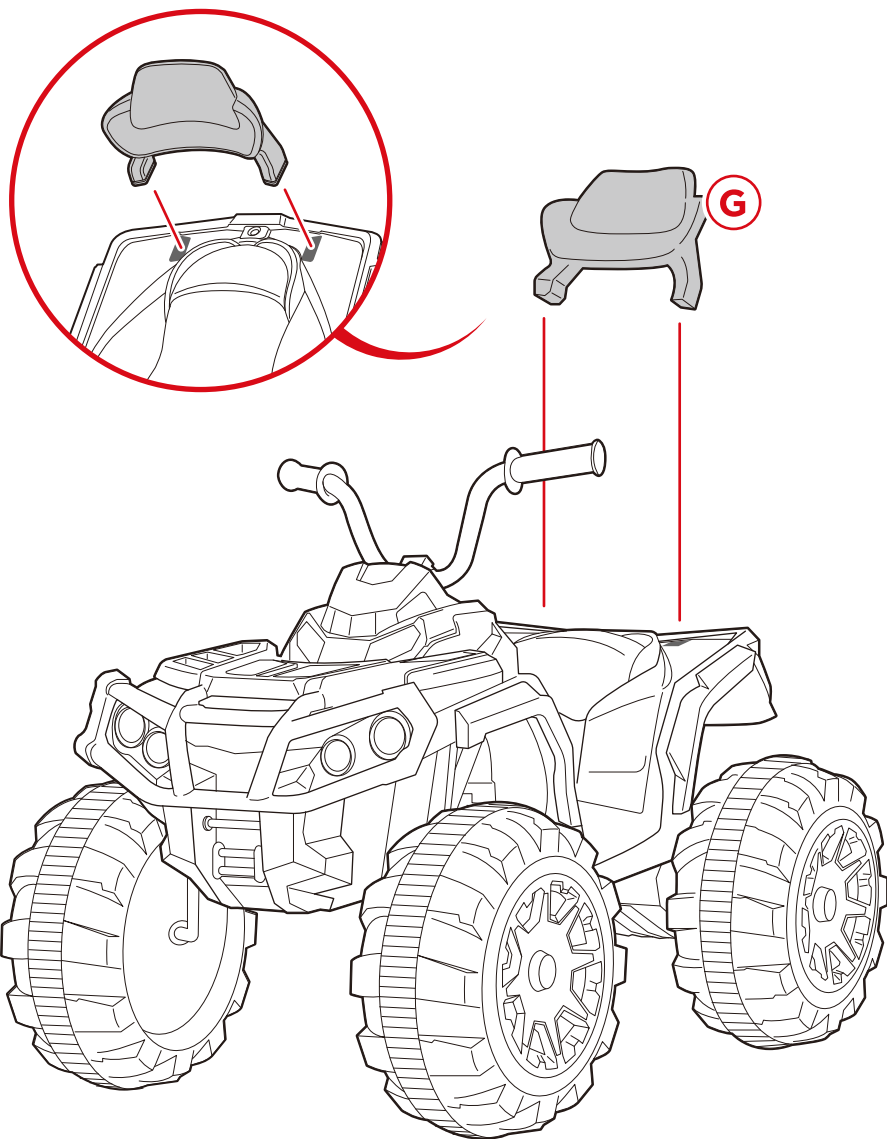
Remove the nut and bolt from the part F handlebar, slide it onto the steering mount, and then replace the nut and bolt to secure the handlebar.



PRODUCT ASSEMBLY

4

Insert the part G backrest.

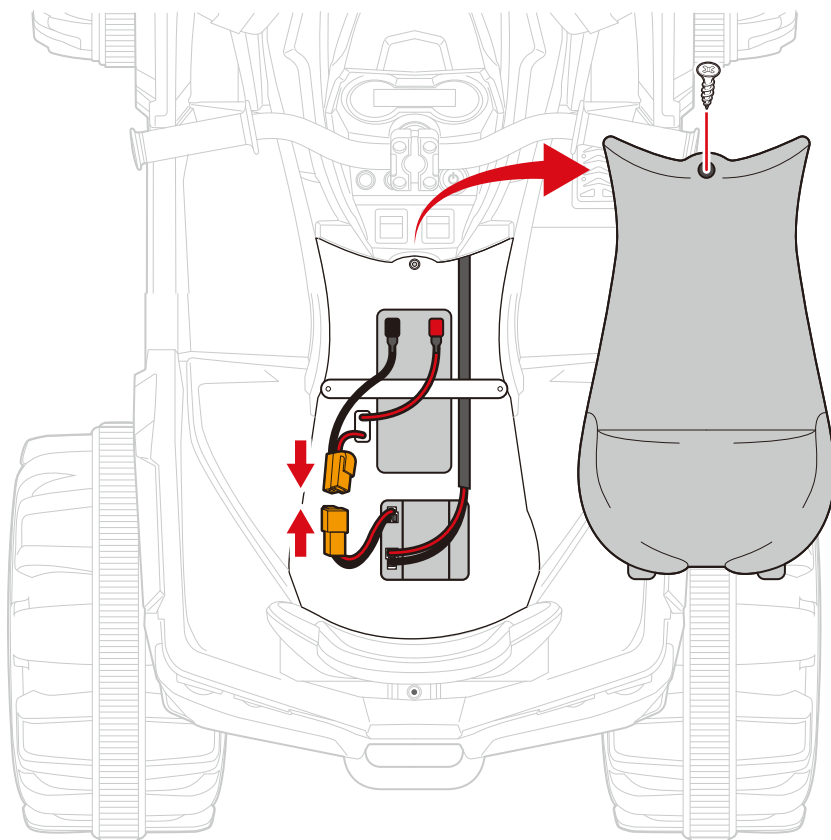


PRODUCT ASSEMBLY

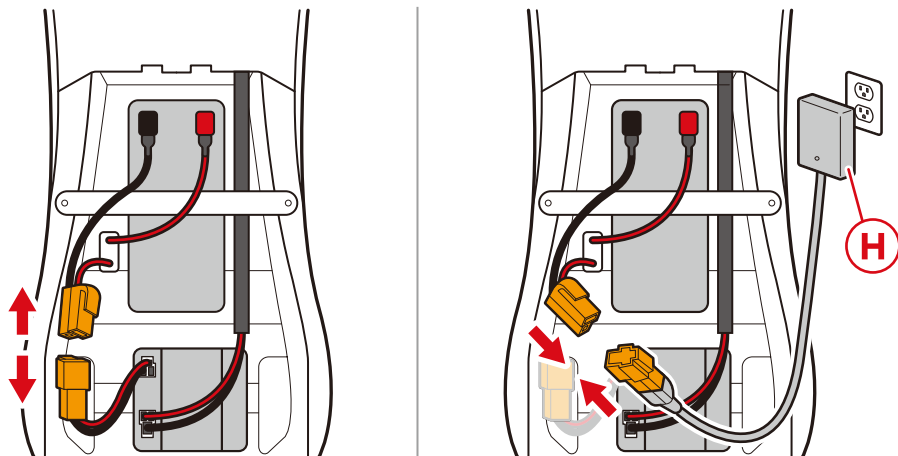
5

Loosen the screw and remove the seat. Join the orange connector from the battery to the corresponding connector from the control module.

Reattach the seat and tighten the screw.



CHARGING INSTRUCTIONS

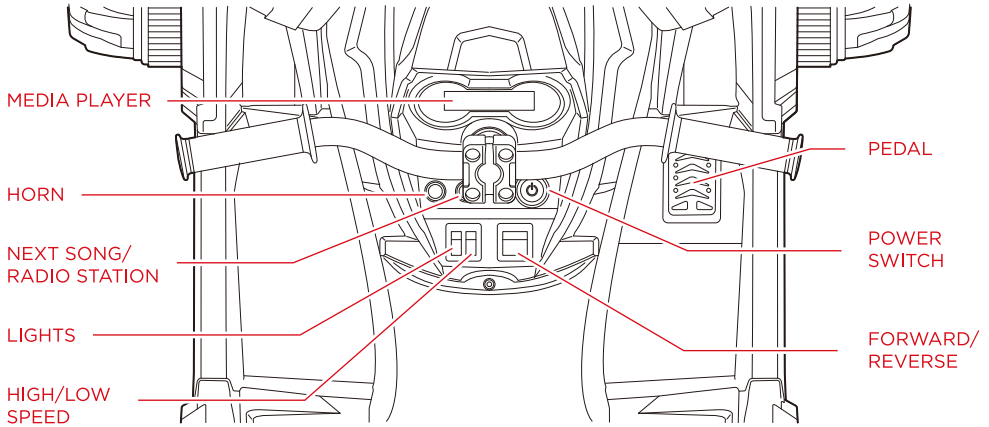


1. Remove the seat and disconnect the orange connector joining the battery to the control module.
 2. Join the part H charger to the connector leading from the battery and plug the other end into a wall outlet.
 3. Charge battery for 8 to 12 hours, then disconnect.
 4. Reconnect the battery and control module.
- Charge the battery 10 to 12 hours before initial use.
 - On average, you will need to charge the battery between 8 and 12 hours. Do not charge the battery for more than 20 hours. Failure to charge the battery as directed could cause permanent damage to the battery and void the warranty.
 - Damage to the battery may occur if it is allowed to drain completely. Do not allow the battery to drain completely.
 - Check the battery and charger (supply cord, connector) for wear and damage before charging. Do not charge the battery if damage has occurred.
 - Only an adult who has read and understood the safety warnings should handle, charge and recharge the battery.

CARING FOR YOUR RIDE-ON

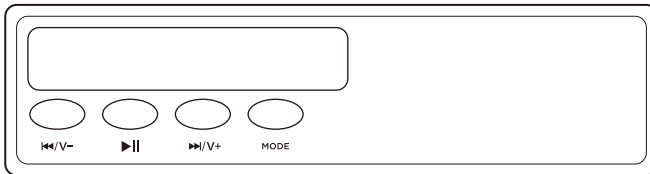
- Park the vehicle indoors or cover it with a tarp to protect it from wet weather.
- Do not leave the vehicle in the sun for long periods of time or fading may occur. Store in shade or cover with tarp.
- Do not wash the vehicle with a hose.
- Do not wash the vehicle with soap.
- Charge battery at least once a month to prolong the life of the battery.

DASHBOARD DIAGRAM



Push down on the pedal to drive forward/reverse. Release the pedal to slow down and stop.

MEDIA PLAYER



- **▶||**: play/pause music
- **▶▶/V+**: short press to play to the next song, long press to increase volume
- **H4/V-**: short press to play the previous song, long press to decrease volume
- **MODE**: press to toggle between FM radio, and
- **FM Radio**: press the **▶||** to automatically seek a radio station. Press the **▶▶/V+** to seek the next radio station. Press the **H4/V-** to return to the previous radio station
- **Bluetooth**:
 - Step 1: Place your desired audio device near the media player and power the car on.
 - Step 2: Press "Mode" on the media player and wait until you hear "Bluetooth device is ready to pair".
 - Step 3: On your desired audio device, locate the Bluetooth settings and select the device named "Best Choice Products Ride On"
 - Step 4: When the device states "Your Bluetooth device is connected successfully" select the desired song.

CALIFORNIA PROPOSITION 65

⚠ WARNING: Battery posts, terminals, and related accessories can expose you to chemicals including lead and lead compounds, which are known to the State of California to cause cancer and birth defects or other reproductive harm, and are toxic and corrosive. Wash hands after handling. For more information go to www.P65Warnings.ca.gov

TROUBLESHOOTING

| Problem | Reason | Solution |
|---|---|---|
| Vehicle does not move | Low battery | Fully charge the battery |
| | Electrical protection | Stop use for several minutes and restart |
| | Switch not in the correct position | Completely press in switches |
| | Battery connectors disconnected | Plug in battery connectors |
| Battery does not recharge | Battery connectors disconnected | Plug in battery connectors |
| | Charger not connected to socket or outlet | Completely plug in the charger |
| Battery does not last | Battery does not have a full charge | Fully charge the battery |
| Battery is warm and makes a slight noise while charging | Normal | Normal |
| Slow speed | Low battery | Fully charge the battery |
| | Overloaded vehicle | Reduce the weight on the vehicle |
| | Uneven or sloped road | Drive on flat pavement |
| Vehicles shakes while driving | Loose connection to motor | Ensure the motor is properly connected to the battery |
| Difficulty shifting between forward/reverse | Attempting to shift while vehicle in motion | Only shift when the vehicle is at a stop |

FCC COMPLIANCE STATEMENT

This device complies with part 15 of the FCC rules. Operation is subject to the following two conditions: (1) This product may not cause harmful interference, and (2) this device must accept any interference received, including interference that may cause undesired operation.

NOTE: This equipment has been tested and found to comply with the limits for a Class B digital device, pursuant to part 15 of the FCC Rules. These limits are designed to provide reasonable protection against harmful interference in a residential installation.

This equipment generates, uses, and can radiate radio frequency energy and, if not installed and used in accordance with the instructions, may cause harmful interference to radio communications. However, there is no guarantee that interference will not occur in a particular installation.

If this equipment does cause harmful interference to radio or television reception, which can be determined by turning the equipment off and on, the user is encouraged to try to correct the interference by one or more of the following measures:

- Reorient or relocate the receiving antenna.
- Increase the separation between the equipment and receiver.
- Connect the equipment to an outlet on a circuit different from that to which the receiver is connected.
- Consult the dealer or an experienced radio/TV technician for help.

WARNING: Any changes or modifications to this unit not expressly approved by the party responsible for compliance could void the user's authority to operate the equipment.

Responsible party (contact for FCC matters only):

Quality Control Dept.
15101 Red Hill Ave.
Tustin, CA 92780

Earn points while you shop. Join today!

bestchoiceproducts
rewards

Join | Earn | Redeem

Give your friends 15% off their first order! For each successful referral you'll receive 100 points.

bestchoiceproducts.com



HELP CENTER



Question about your product? We're here to help. Visit us at:

help.bestchoiceproducts.com



Chat Support



Product Inquiry



Orders FAQ



Product Assembly



Returns & Refunds

PRODUCT WARRANTY INFORMATION

All items can be returned for any reason within 60 days of the receipt and will receive a full refund as long as the item is returned in its original product packaging and all accessories from its original shipment are included. All returned items will receive a full refund back to the original payment method. All returned items will not be charged a re-stocking fee.

All returned items require an RA (Return Authorization) number, which can only be provided by a Best Choice Products Customer Service Representative when the return request is submitted. Items received without an RA may not be accepted or may increase your return processing time. Once an item has been received by Best Choice Products, refunds or replacements will be processed within 5 business days.

All returns must be shipped back to the Best Choice Products Return Center at the customer's expense. If the reason for return is a result of an error by Best Choice Products then Best Choice Products will provide a pre-paid shipping label via email. Boxes for return shipping will not be provided by Best Choice Products, and is the customer's responsibility to either use the original shipping boxes or purchase new boxes.

Pictures may be required for some returns to ensure an item is not damaged prior to its return. Items returned are not considered undamaged until they are received by Best Choice Products and verified as such. All damages to items are the customer's responsibility until the item has been received by and acknowledge by Best Choice Products as undamaged.



WARNING

Manufacturer and seller expressly disclaim any and all liability for personal injury, property damage or loss, whether direct, indirect, or incidental, resulting from the incorrect attachment, improper use, inadequate maintenance, or neglect of this product.