

# Product Specifications

## 1.2 Gallon Screw Top ST3 Pail with Cover

Note: \*UN Solids rated to Y5.5/S

### Multiple Uses

Dry Products

### Product Codes

Pail: **9900 Series**

Description: 1.2 Gallon Screw Top Pail

Cover: **8900 Series**

Description: 1.2 Gallon Screw Top Cover

### Features

Gauge: 60 mil

Nominal capacity: 1.2 USG / 4.5 L

Stack performance: 350 lbs.\*

Tare weights: Body: .62 lbs. / 280 gr.

Cover: .24 lbs. / 110 gr.

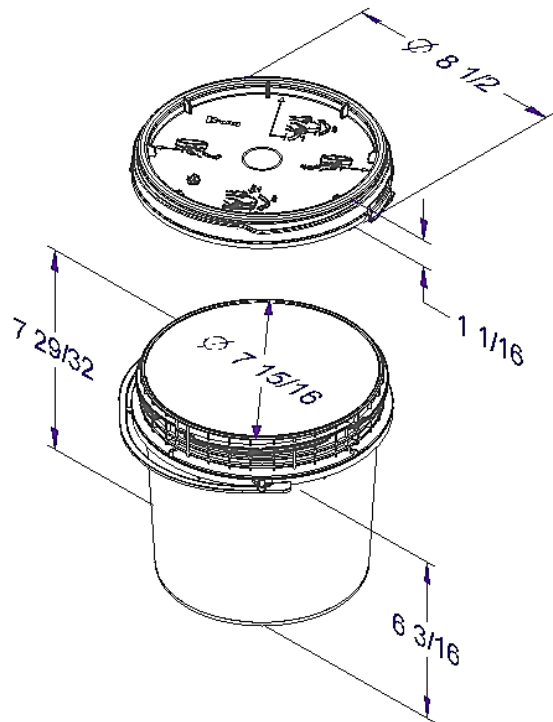
Note: \*Ratings will be reduced with uneven load distribution.

### Specifications with Cover

Dimensions: 8 5/8" D X 8 1/4" H

Maximum capacity: 1.4 USG / 5.3 L

Tare weight: .86 lbs. / .39 kgs.



### Colors

Standard: White, Black and Natural

Custom: Available at manufacturer's discretion

### Decorating Options

Four color offset printing

Print area: 20 5/8"W X 4-3/4"H

Sleeve or pressure sensitive labeling

### Shipping Data

	<b>Bodies</b>	<b>Covers</b>
Qty. per pallet/carton:	1,320*	1,320*
Gross Weight (lbs/kgs.)**:	818.4/371.2	316.8/143.7
Length (in./cm.):	55/139.7	51.25/130.2
Width (in./cm.):	46/116.8	41/104.1
Height (in./cm.):	97/246.4	95/241.3
Approximate truckload quantity of 11,880 pails and covers***		

### Filled Containers

36 (12 per layer/3 layers high)

Pallet height: 24.75"

Notes:

\*Quantity can vary based on customer request

\*\*Weight does not include pallet/packaging

\*\*\*Based on 53' trailer and full pallet quantities

### Materials

FDA approved materials

Resin: Body: High-Density Polyethylene (HDPE)

Cover: High-Density Polyethylene (HDPE)

MSDS Sheets available upon request

**Carrying Handle** – Molded-in Plastic

DISTRIBUTED BY:



REF NO.:

DWG30554

DESCRIPTION:

HDPE Screw Top Cover for 1.2 Gallon Pails

### DISCLAIMER

THIS INFORMATION IS PROVIDED AS A GENERAL GUIDE, INCLUDING DIMENSIONS. IT IS THE CUSTOMER'S RESPONSIBILITIES TO SELECT THE PROPER CONTAINER FOR PRODUCT AND APPLICATION COMPATIBILITY.