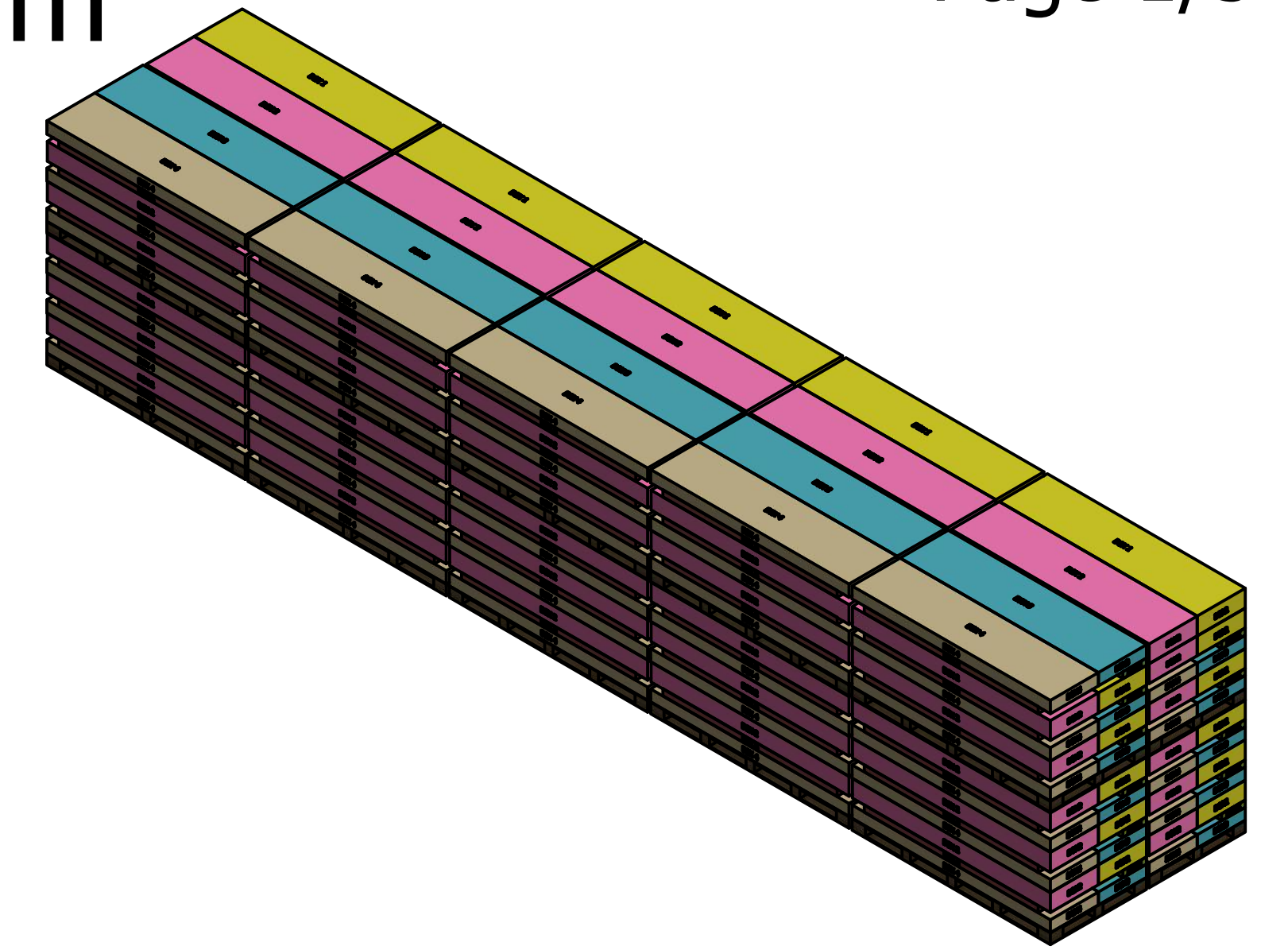
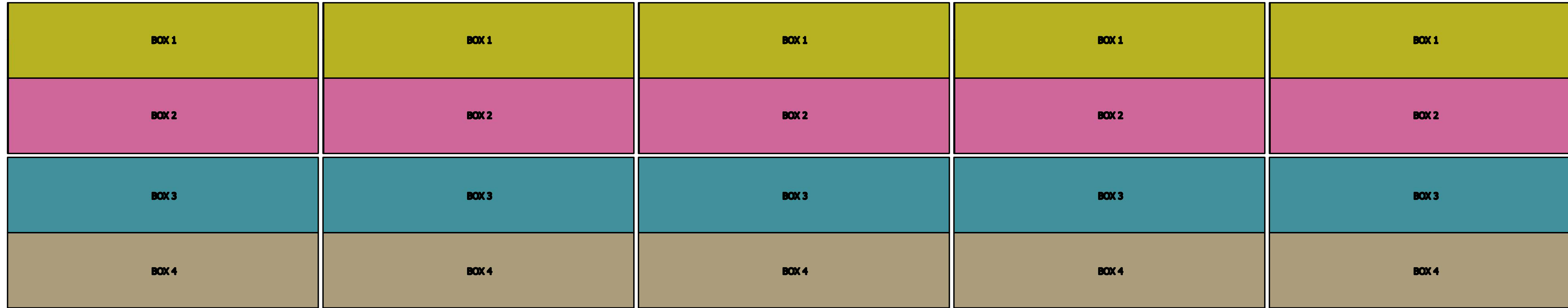


2206045B BARRINGTON 14x12 GAZEBO Container Loading Diagram

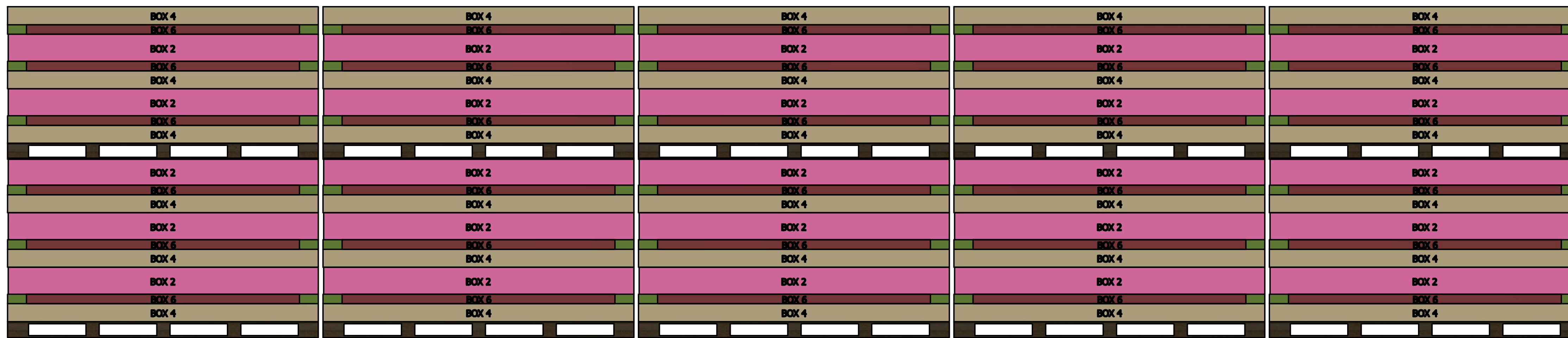
(1 set=6 boxes, 55 sets/40HQ, 20 pallets/ 40HQ, Gross Weight:21130kg)



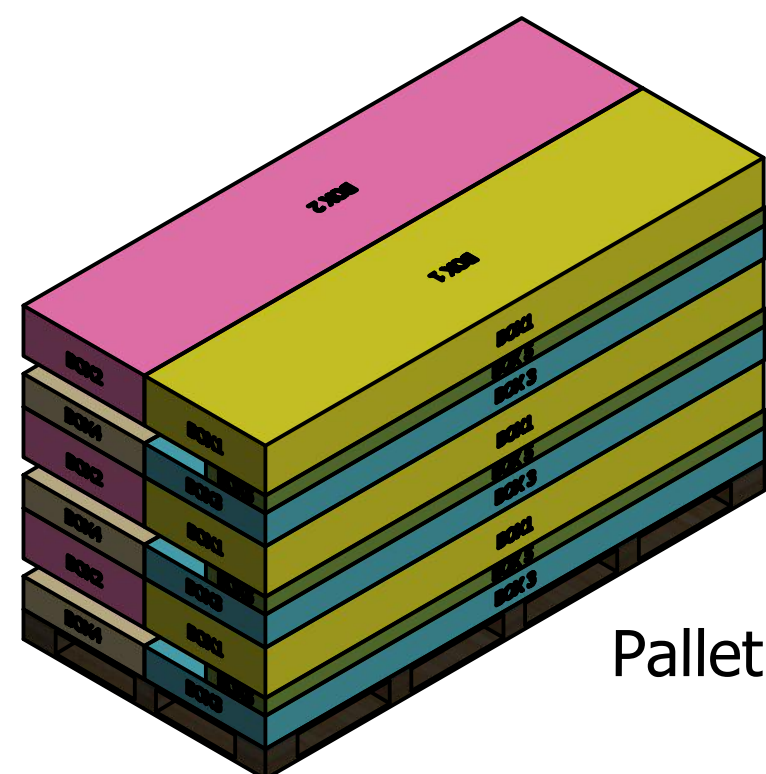
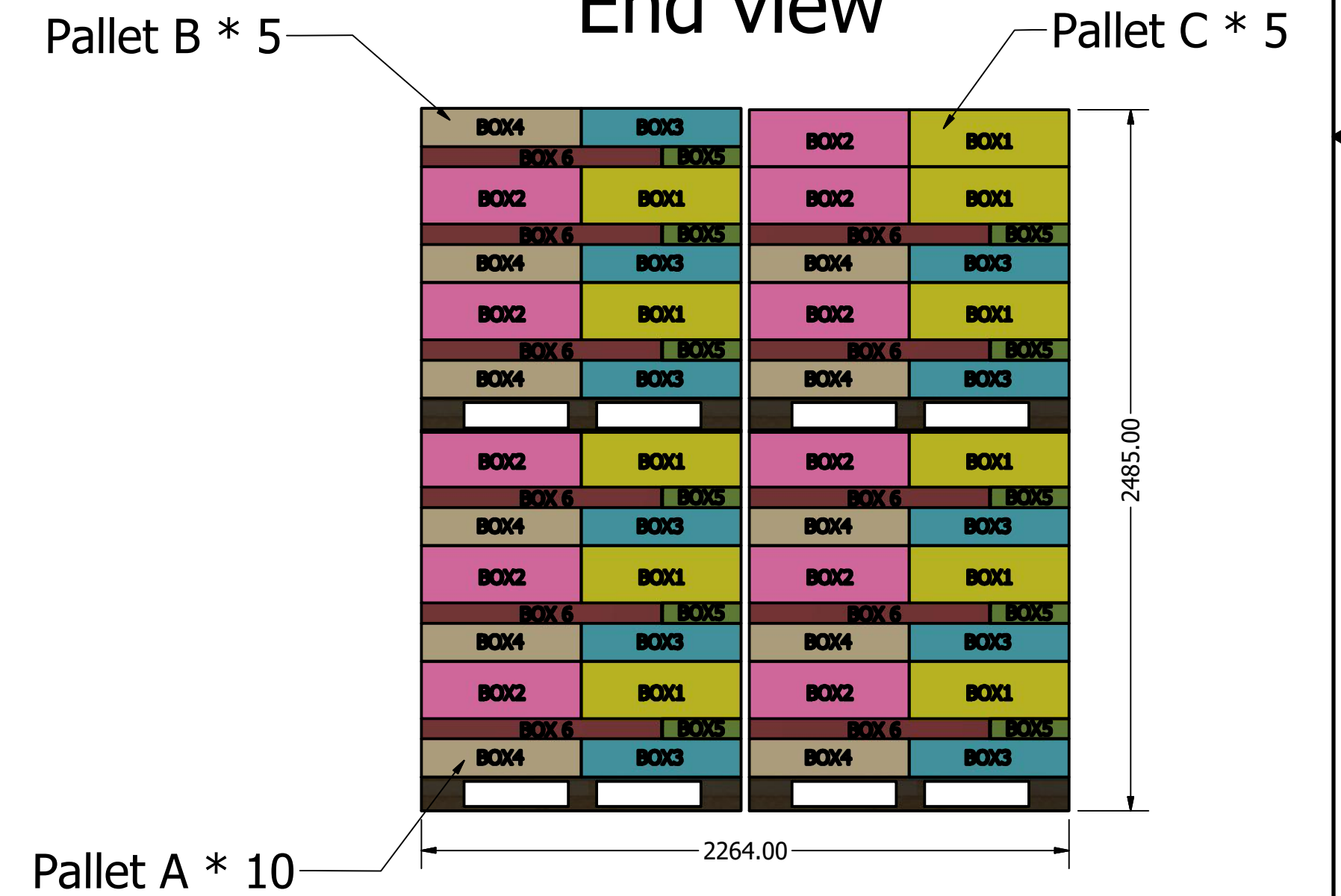
Top view



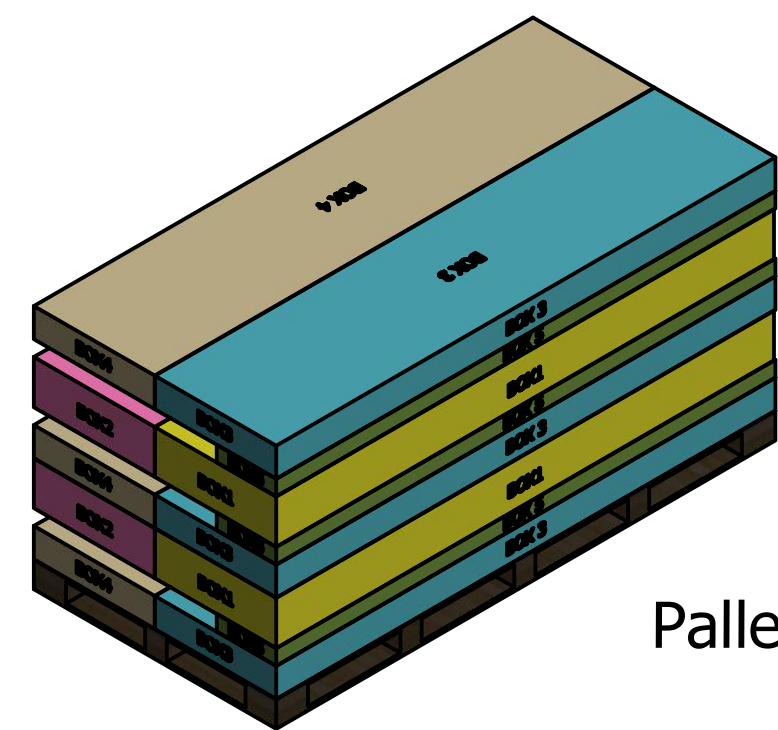
Side view



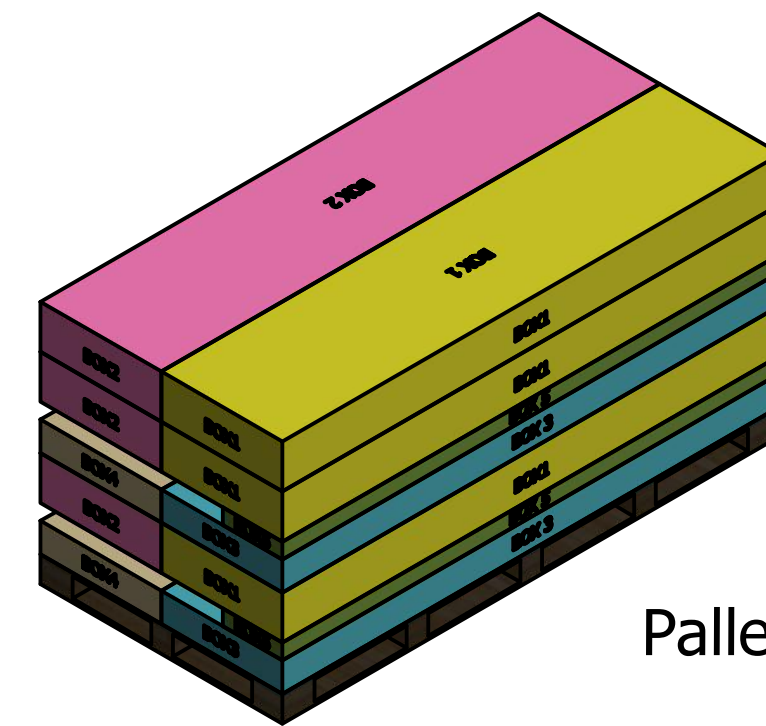
End view



Pallet A * 10



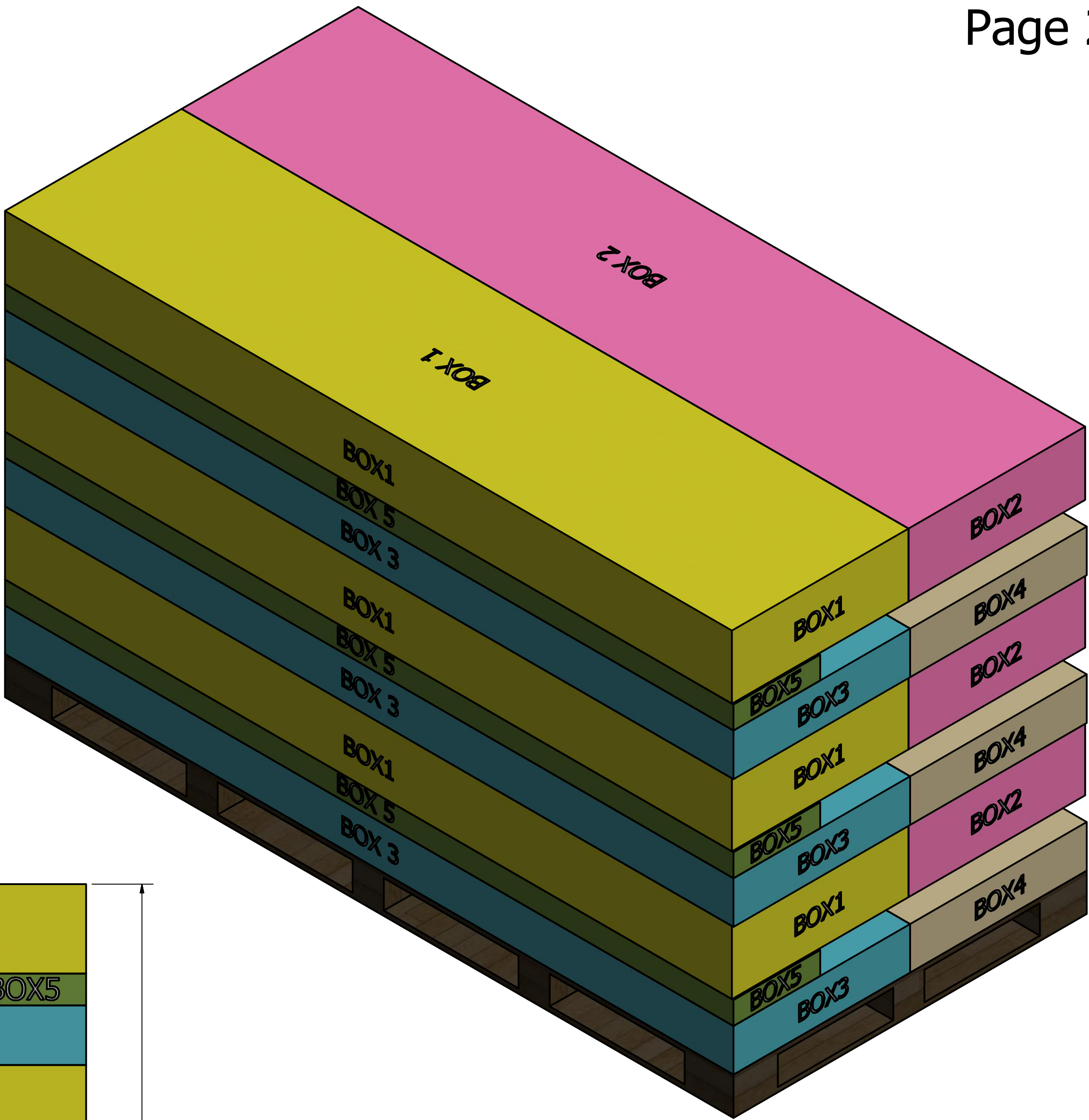
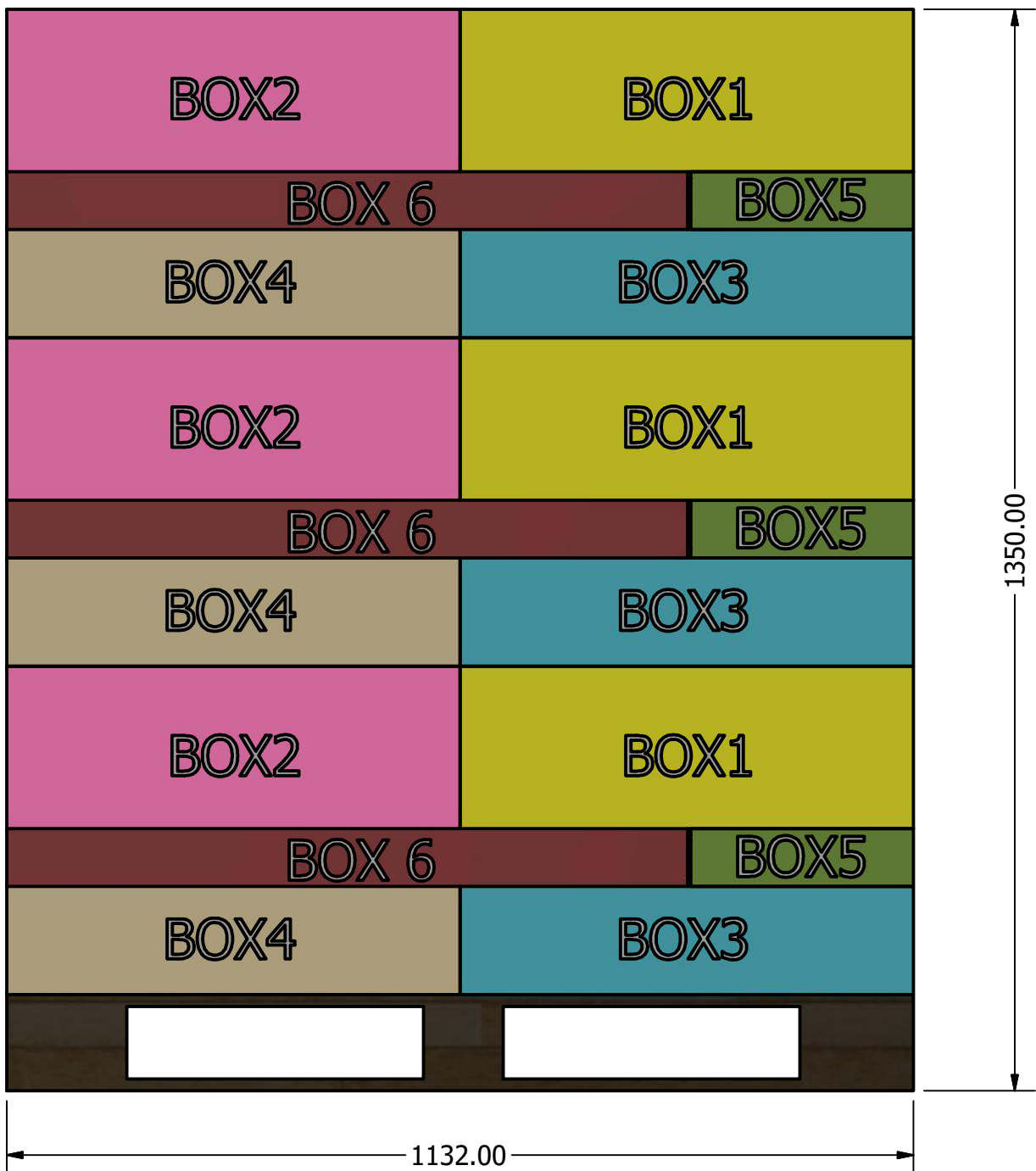
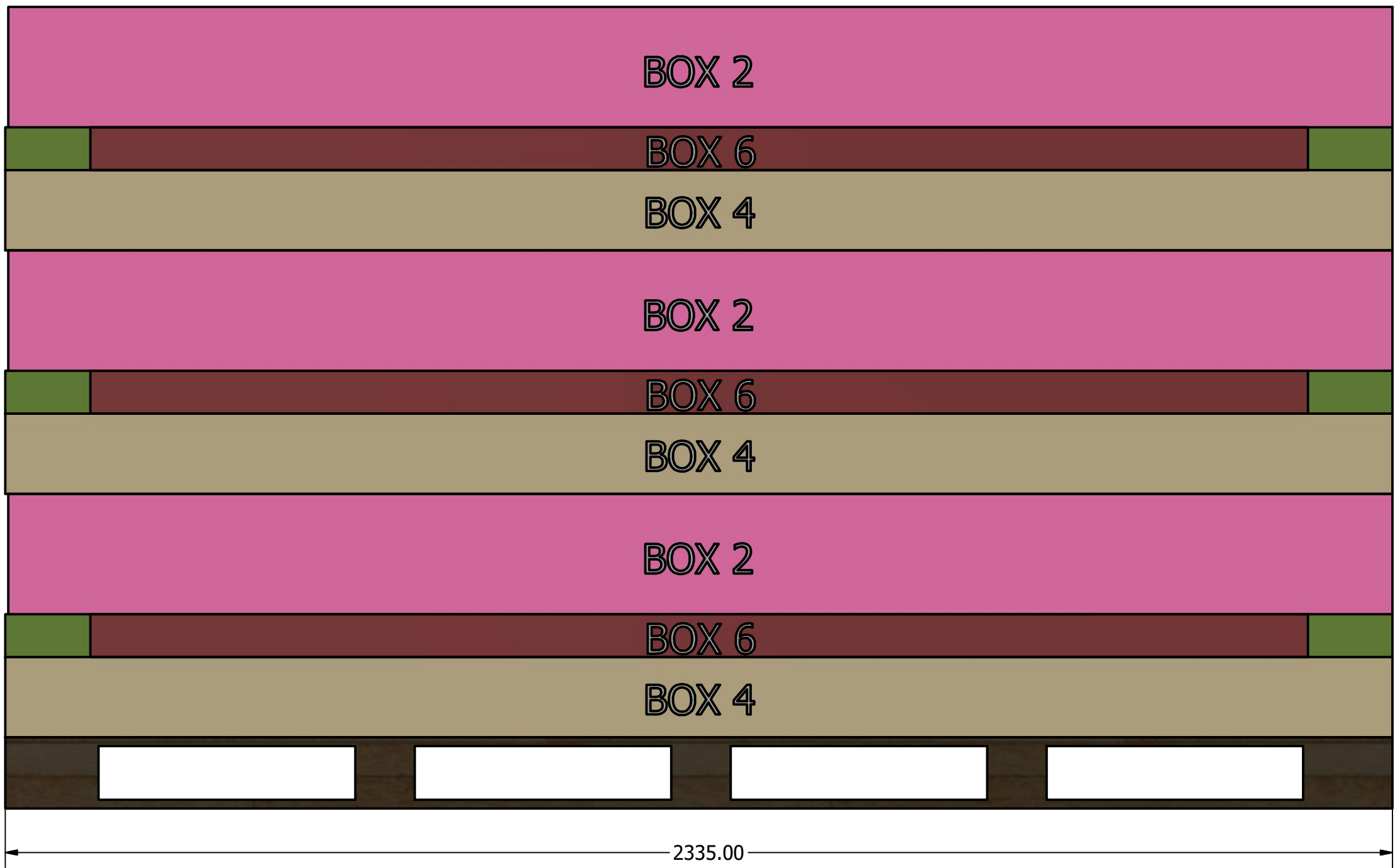
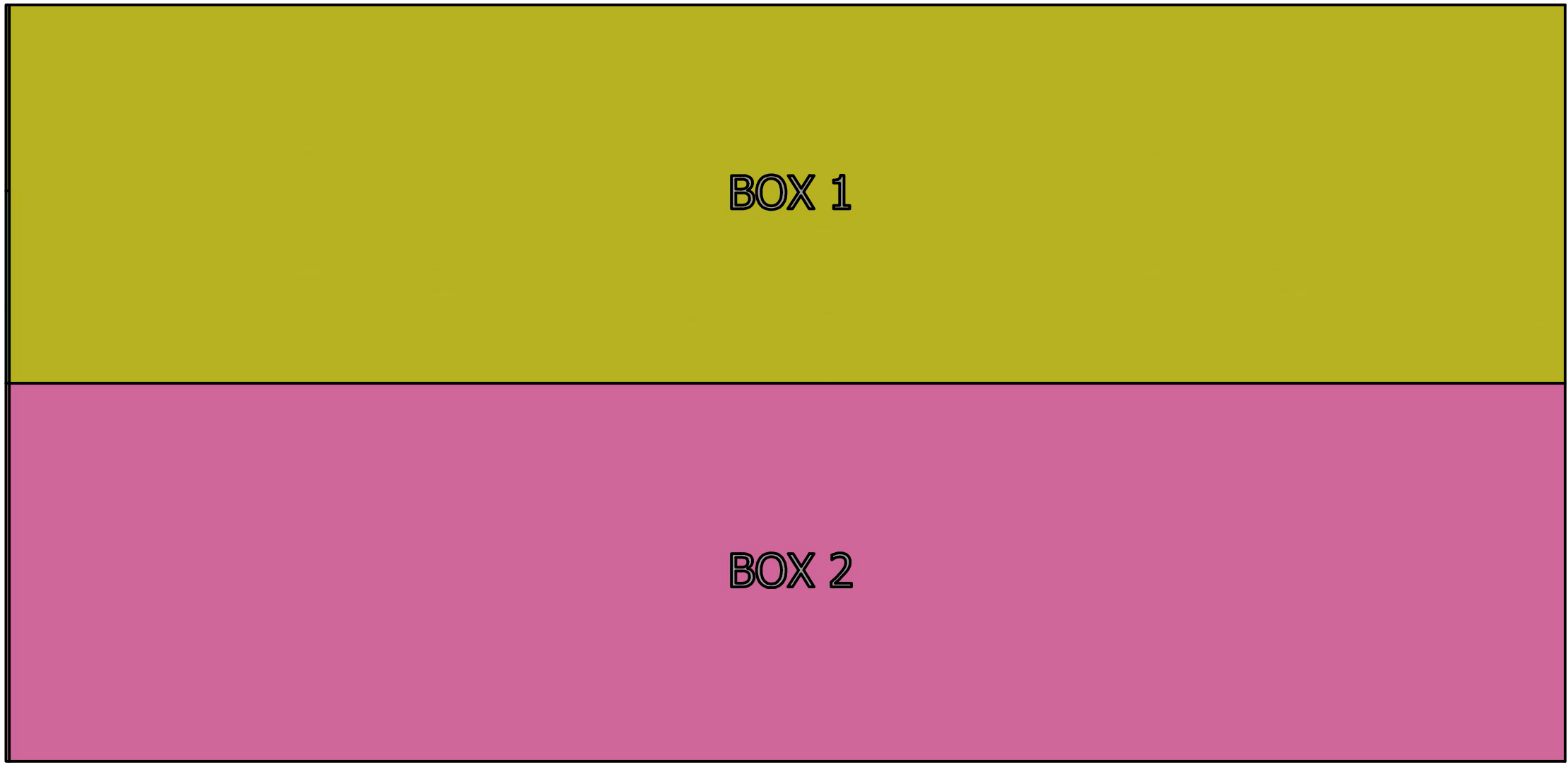
Pallet B * 5



Pallet C * 5

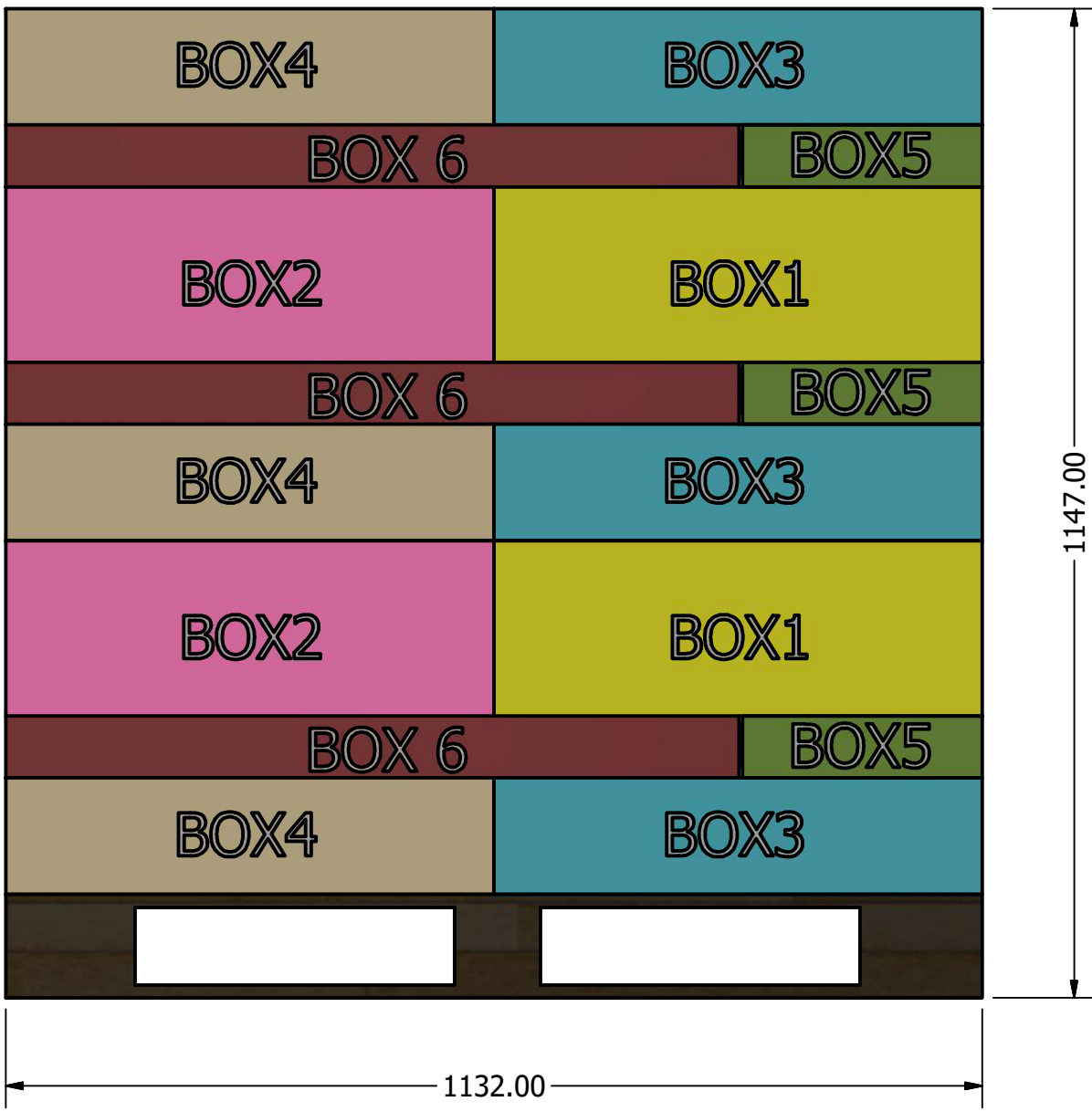
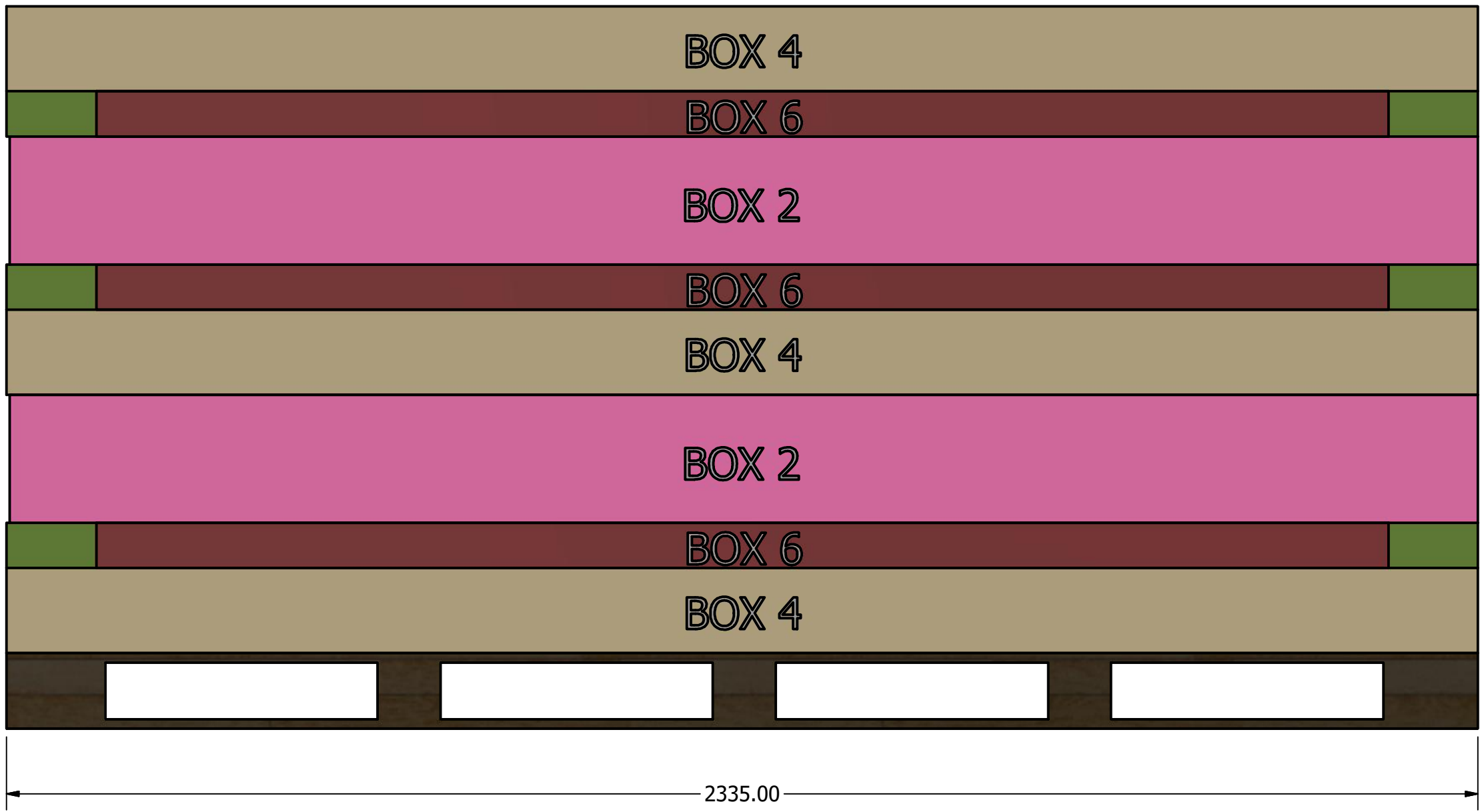
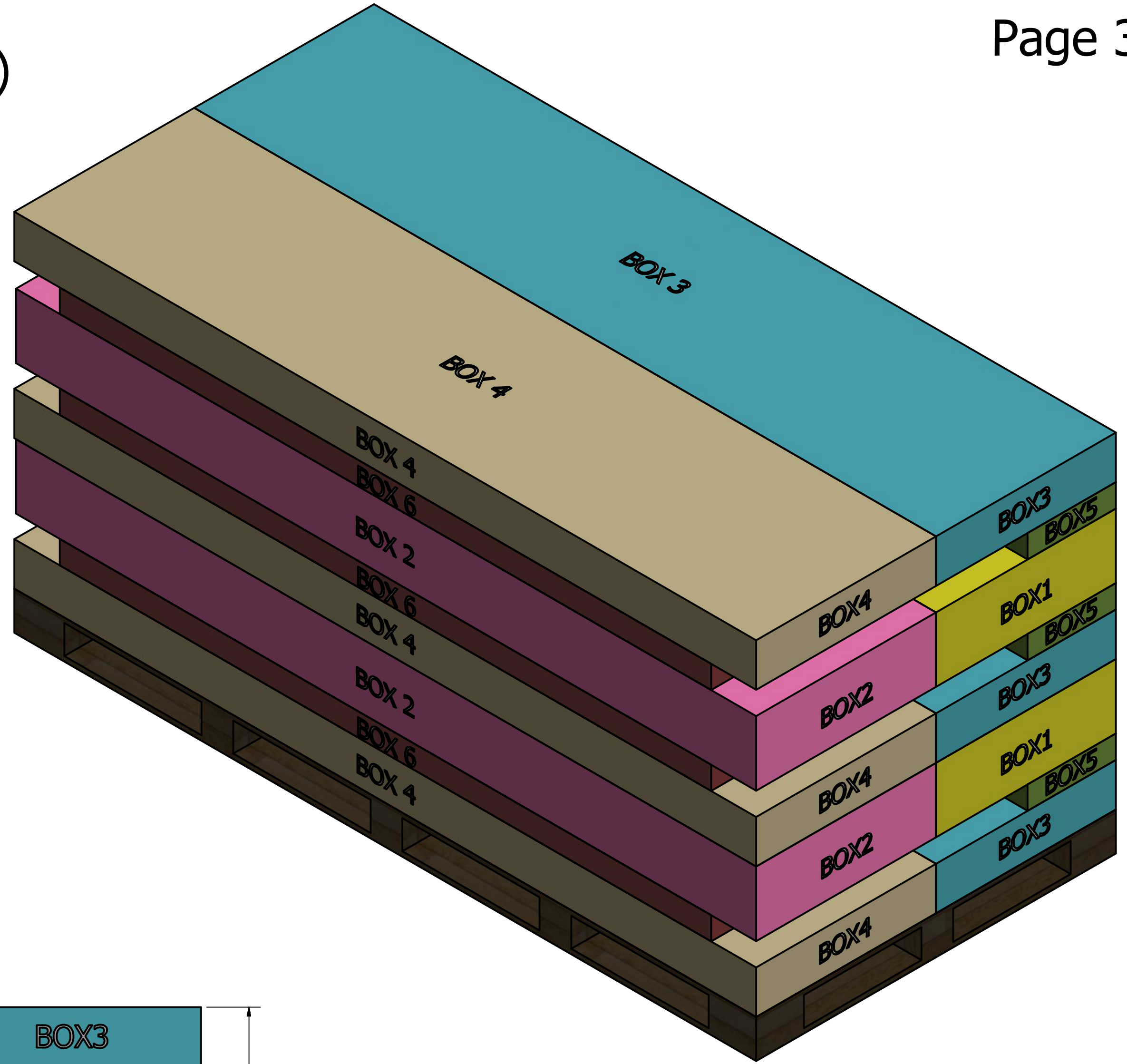
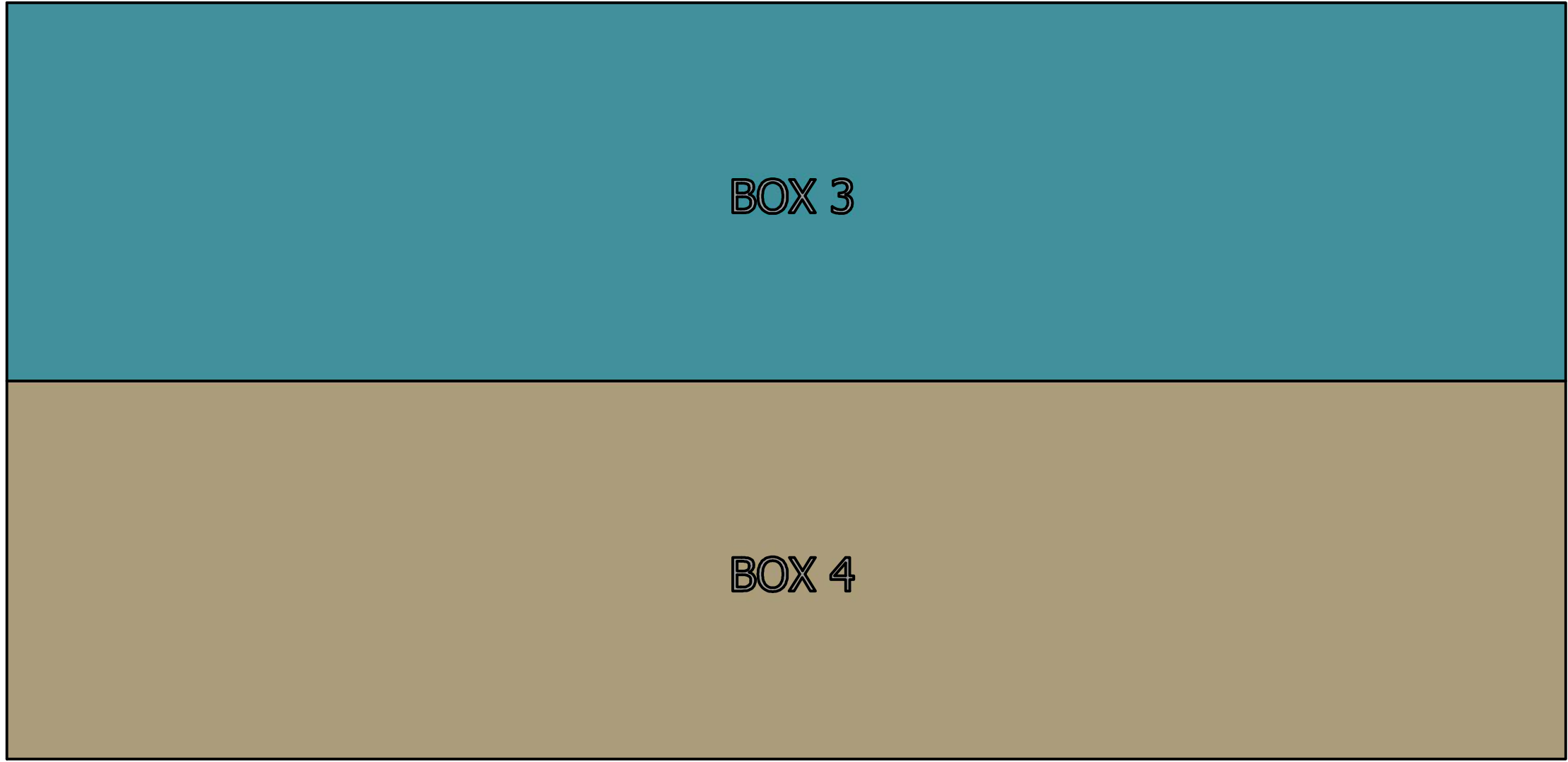
DRAWN Rudy		TITLE		
CHECKED				
QA				
MFG				
APPROVED		SIZE D	DWG NO	REV
		SCALE 0.04	SHEET 1 OF 1	

Pallet A (3 sets/pallet)



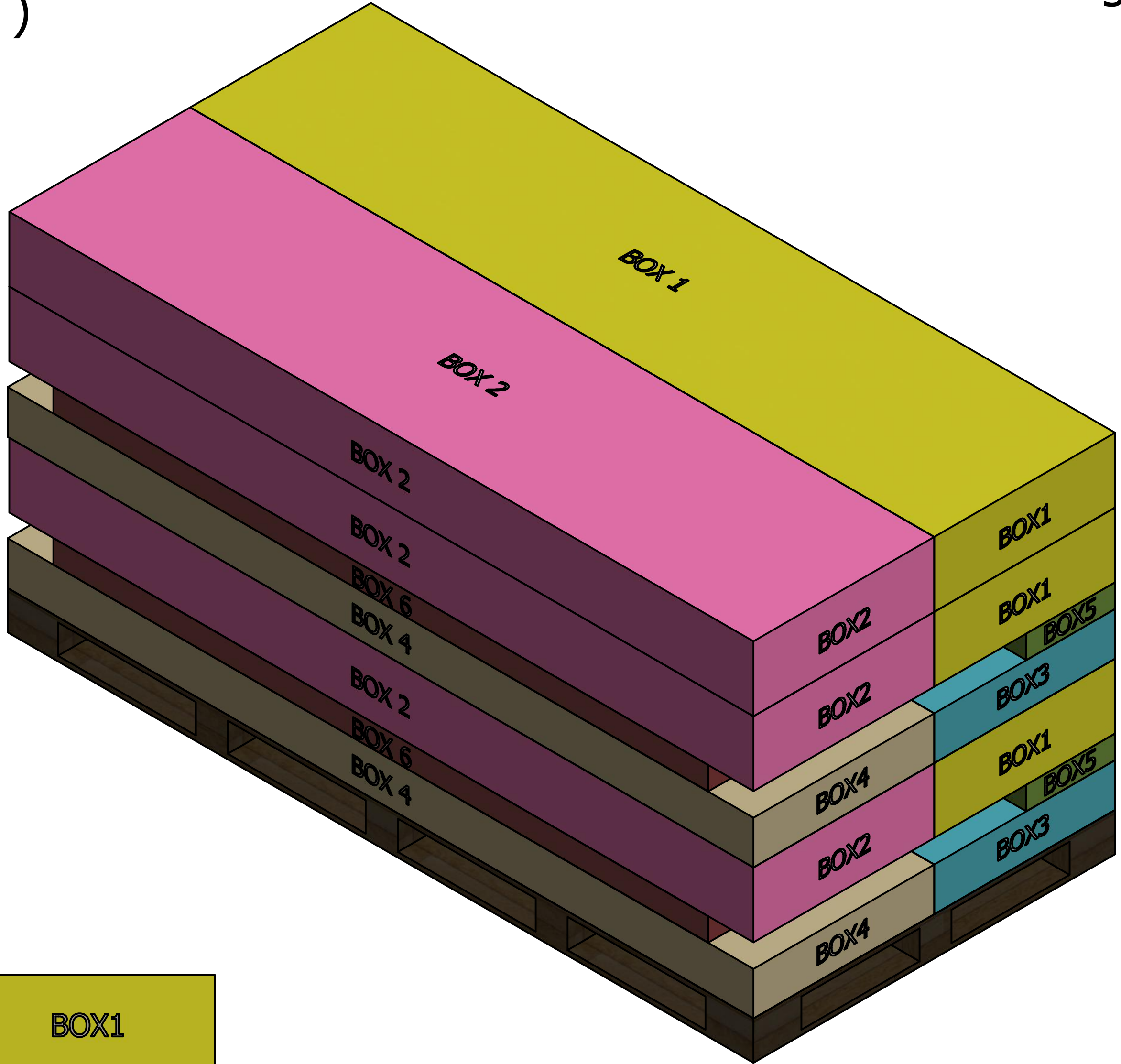
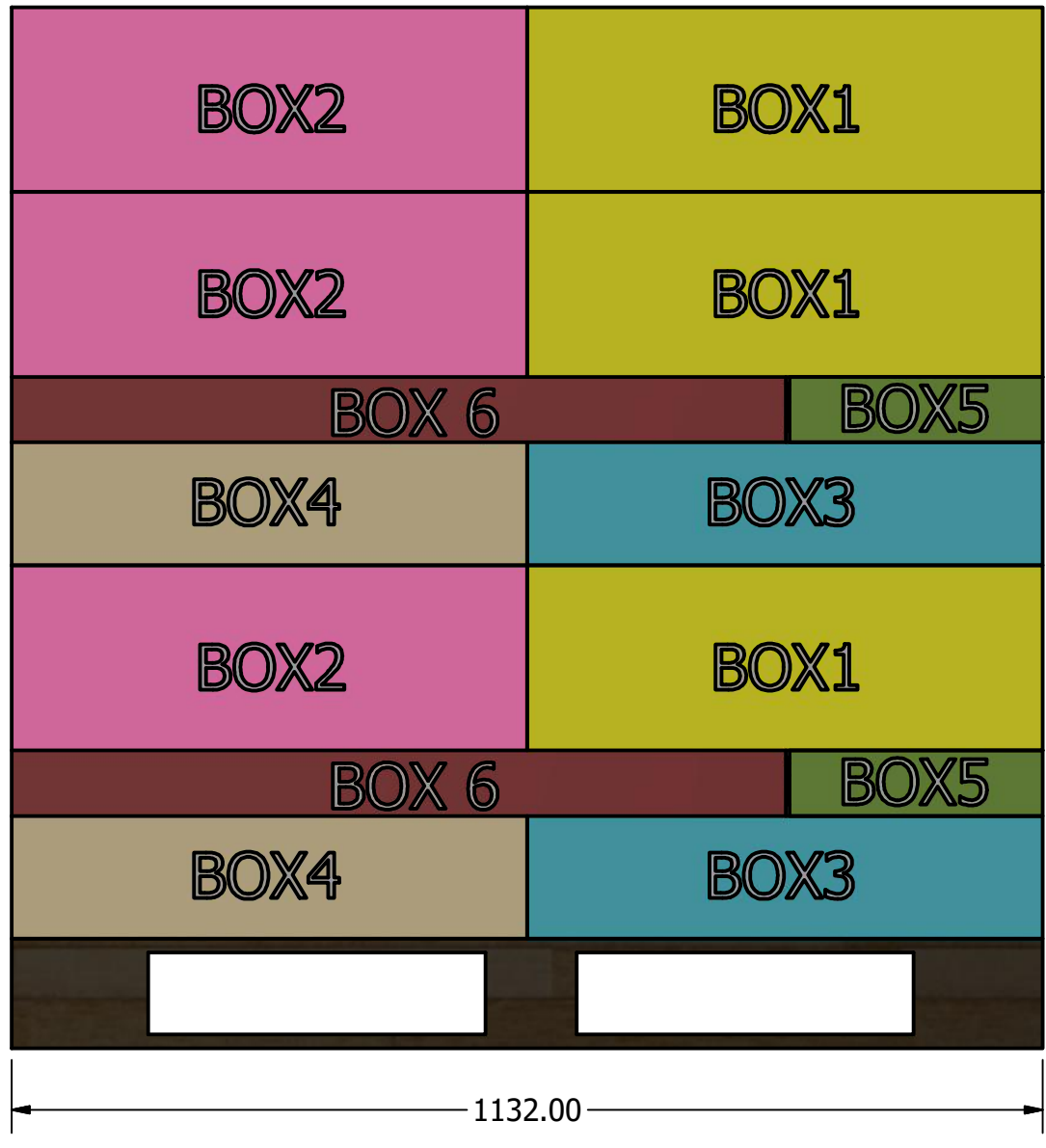
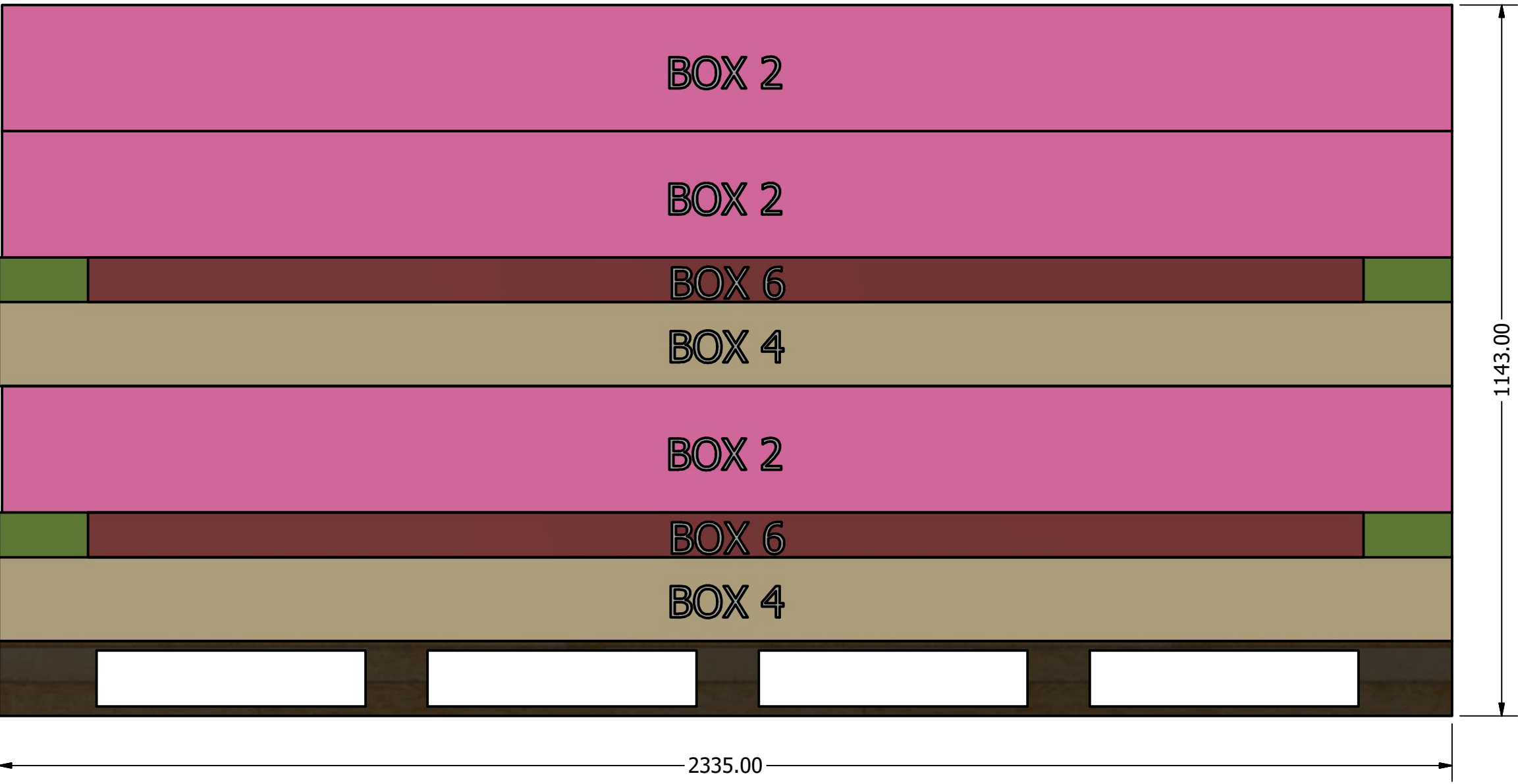
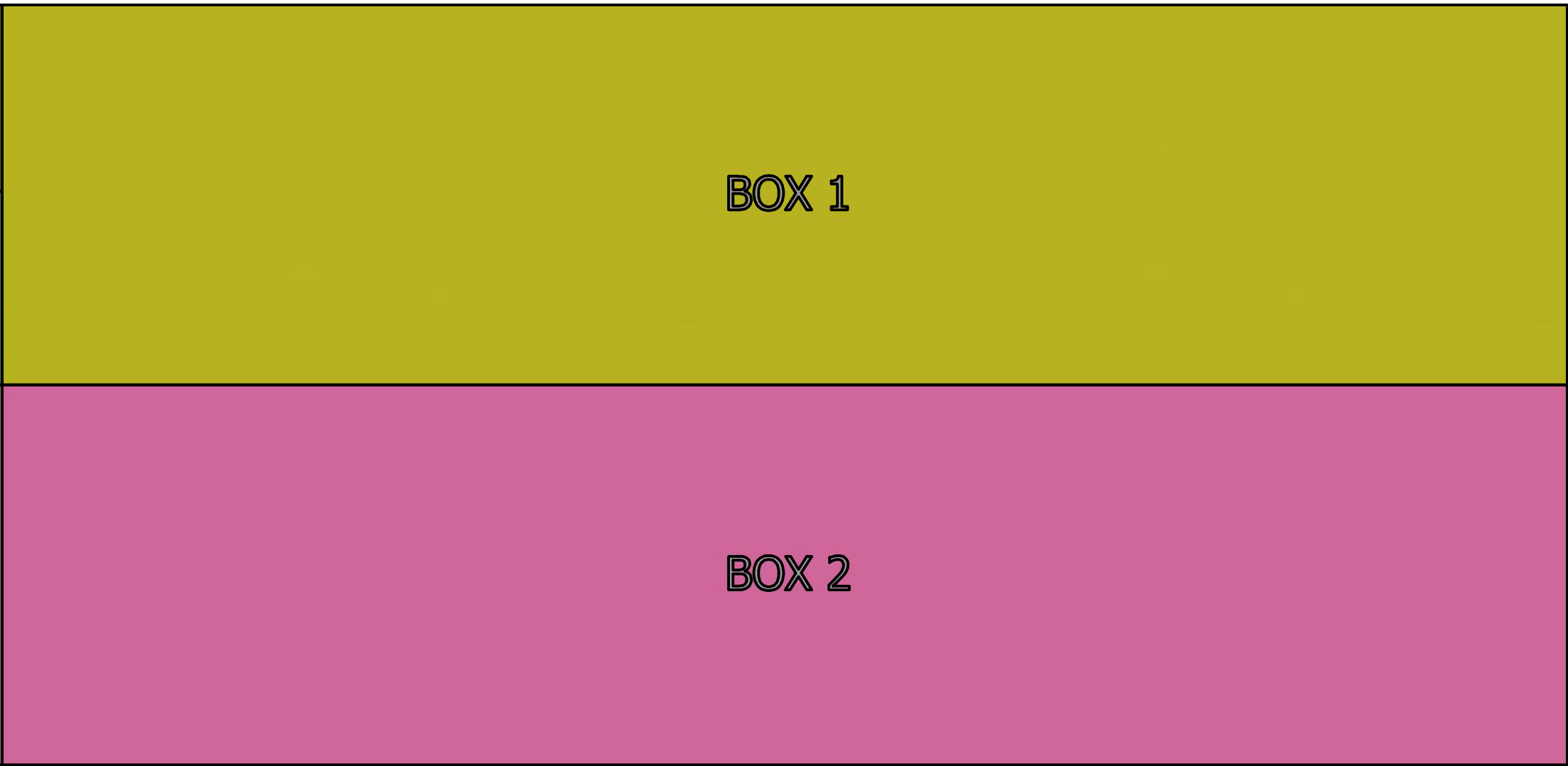
DRAWN Rudy	2019/8/19	TITLE		
CHECKED				
QA				
MFG				
APPROVED		SIZE D	DWG NO Pallet A	REV
SCALE 1 : 8		SHEET 1 OF 1		

Pallet B (2 sets + 4 boxes)

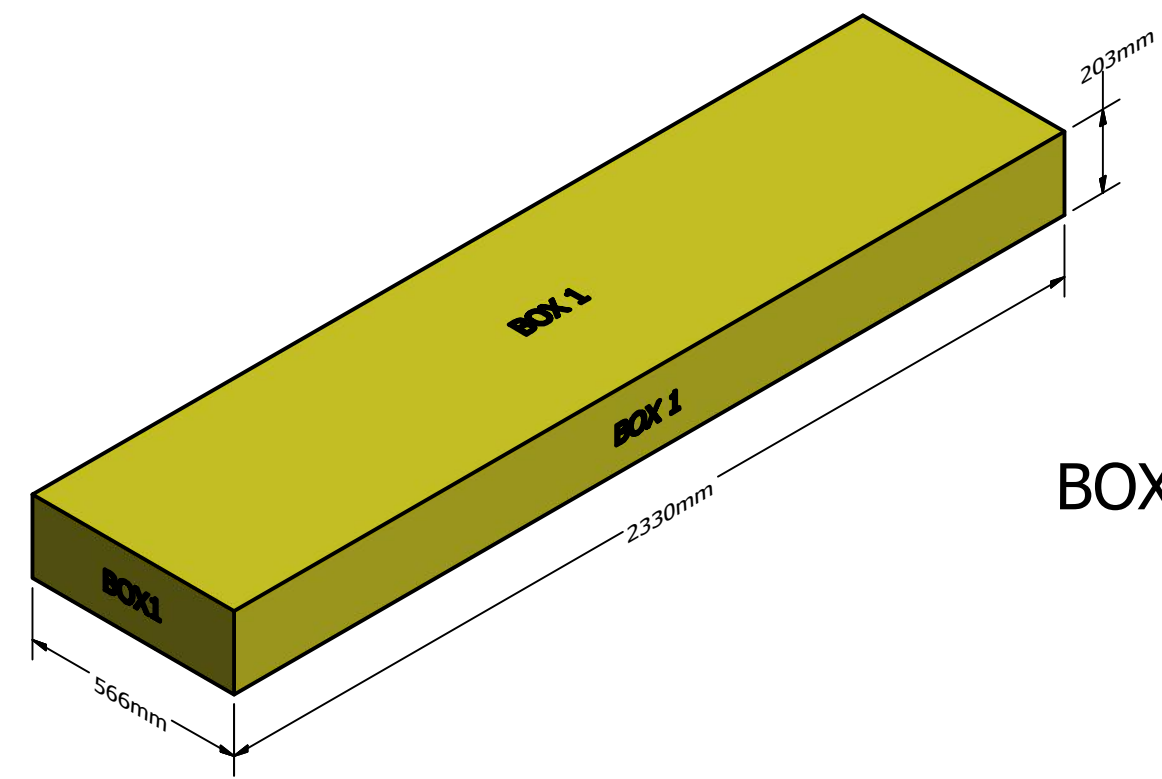


DRAWN Rudy	2019/8/19	TITLE		
CHECKED				
QA				
MFG				
APPROVED		SIZE D	DWG NO Pallet A	REV
		SCALE 1 : 8	SHEET 1 OF 1	

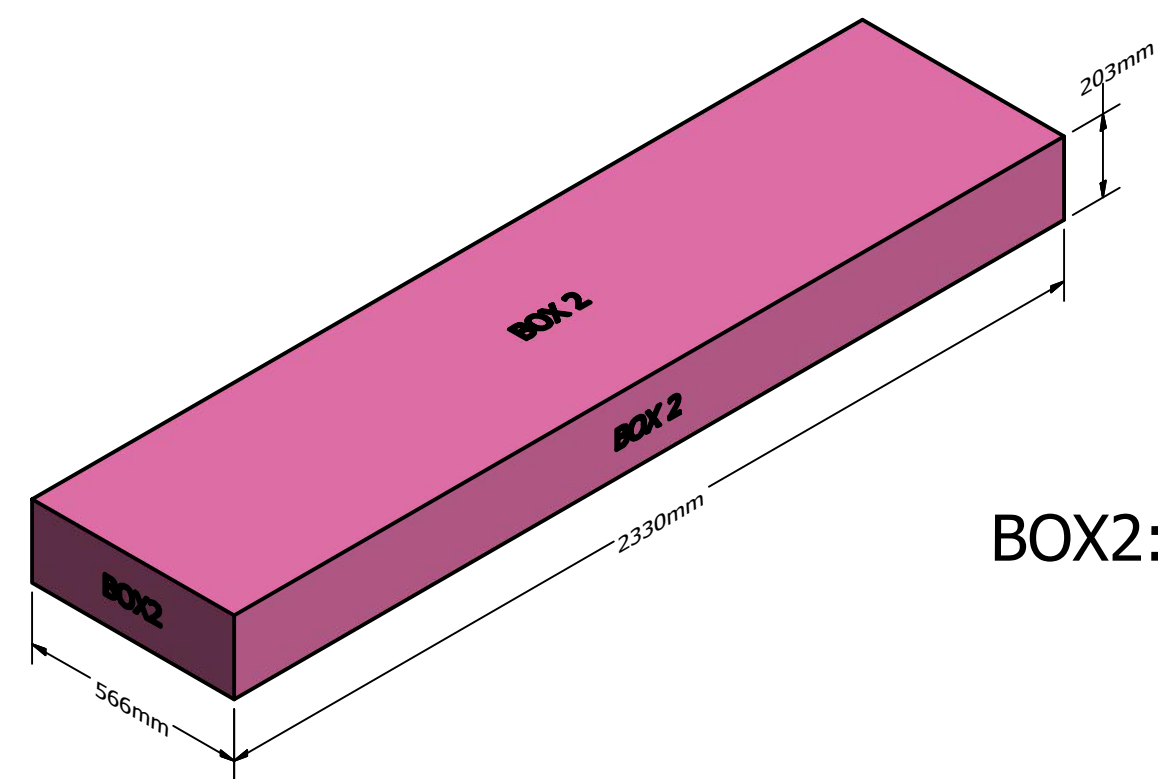
Pallet C (2 sets+2 boxes)



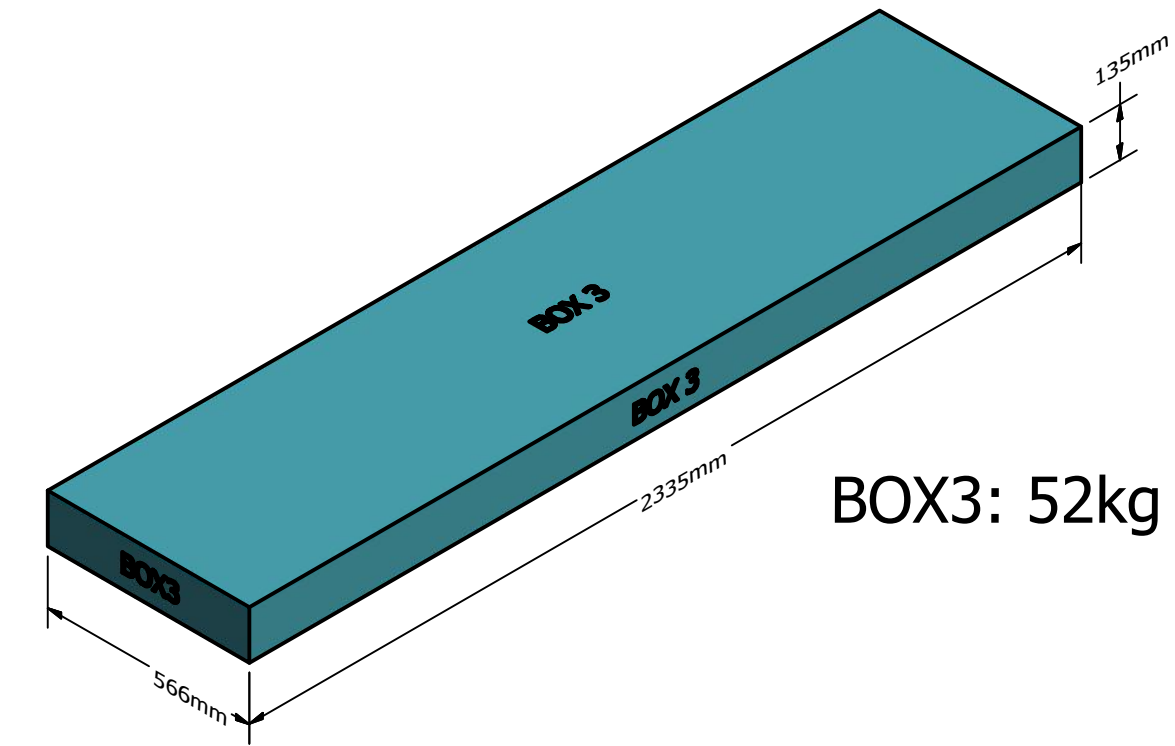
DRAWN Rudy	2019/8/19		
CHECKED		TITLE	
QA			
MFG			
APPROVED			
		SIZE D	DWG NO Pallet A
		SCALE 1 : 8	REV
		SHEET 1 OF 1	



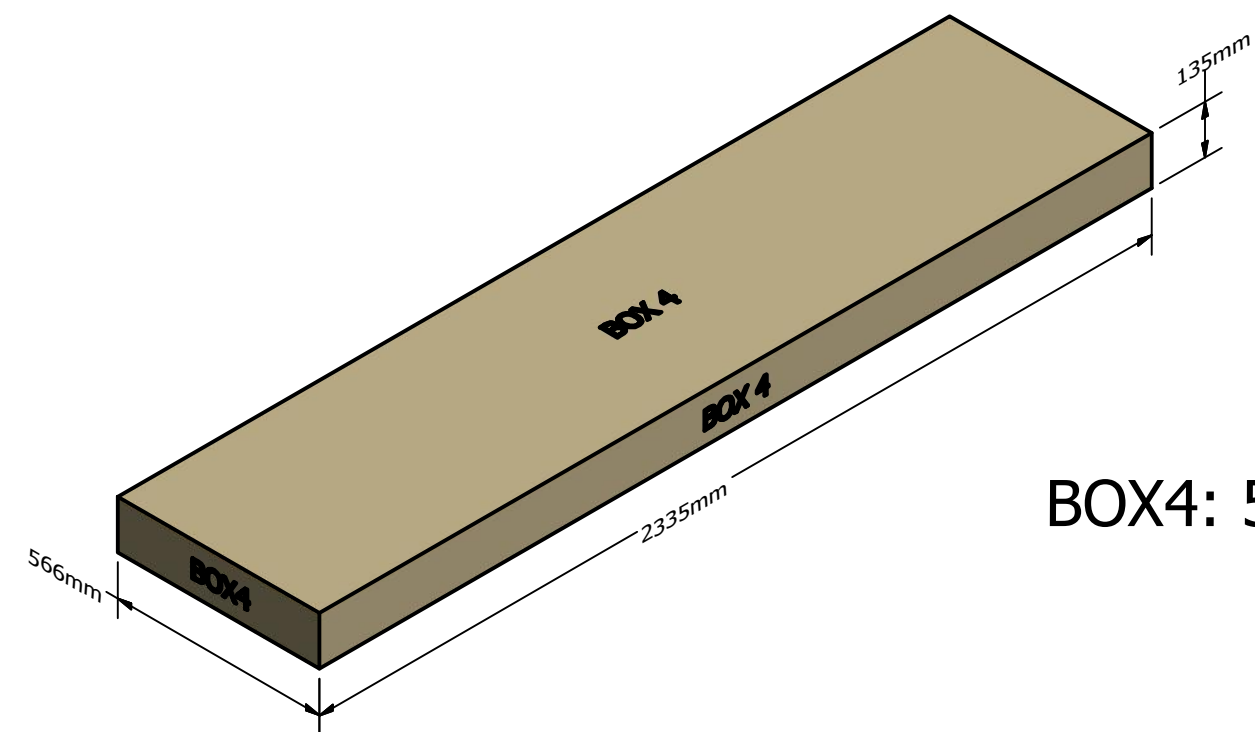
BOX1: 78kg



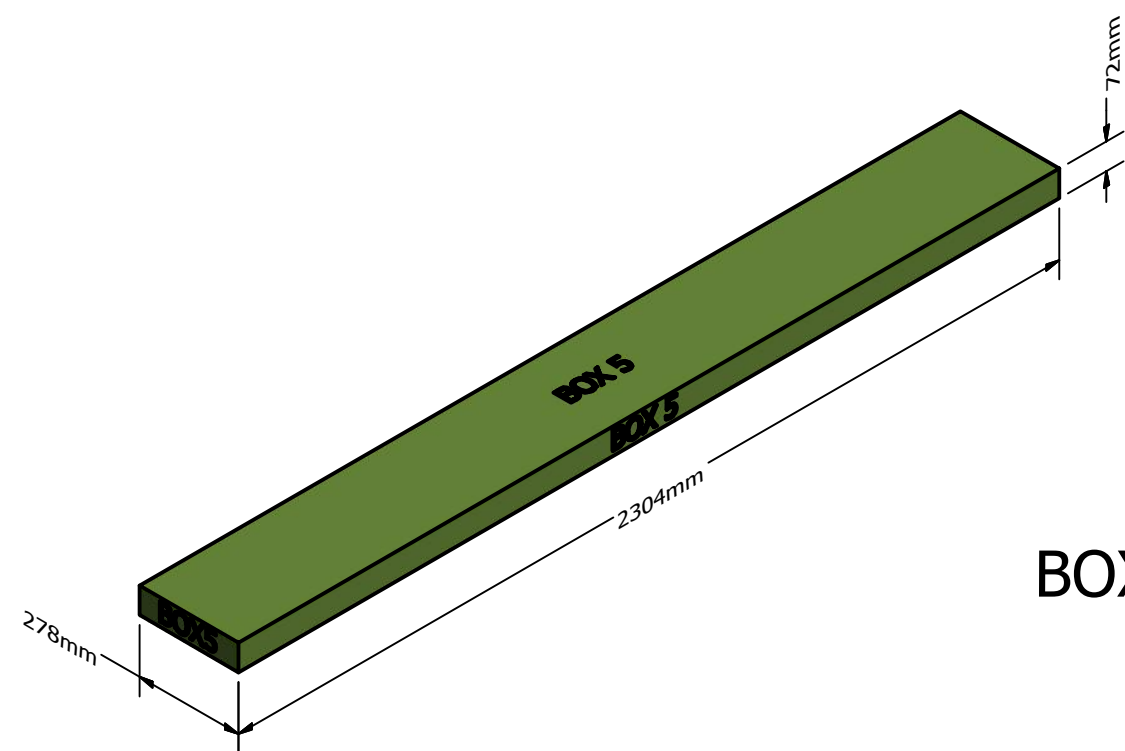
BOX2: 87kg



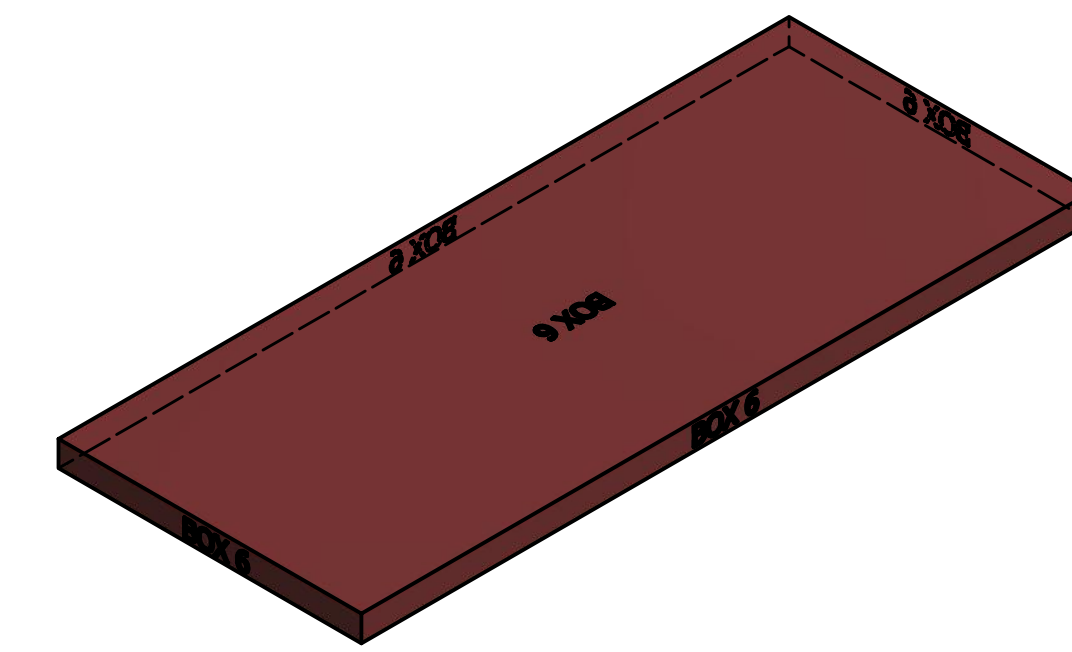
BOX3: 52kg



BOX4: 51kg



BOX5: 13kg



BOX6: 85kg

DRAWN Rudy	2019/8/19	TITLE		
CHECKED				
QA				
MFG				
APPROVED				
		SIZE D	DWG NO Pallet A (详细)	REV
		SCALE 1 / 15	SHEET 1 OF 1	