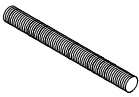

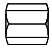
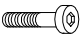



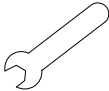
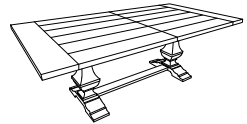


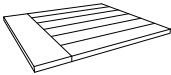
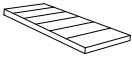


HEKMAN®

A HOWARD MILLER COMPANY

24820 SLAB TOP TRESTLE DINING TABLE

HARDWARE LIST							
A	B	C	D	E	F	G	H
BOLT M8 x 100 2 PCS.	HALFMOON WASHER M8 2 PCS.	HEXAGON NUTS M8 (2 PCS.)	ALLEN BOLT M8 X 40 (8 PCS)	FLAT W. M8 8 PCS.	SPRING W. M8 8 PCS.	ALLEN KEY L5 (FOR ALLEN BOLT) 1 PC.	WRENCH (FOR HEXA BOLT) 1 PC.
							

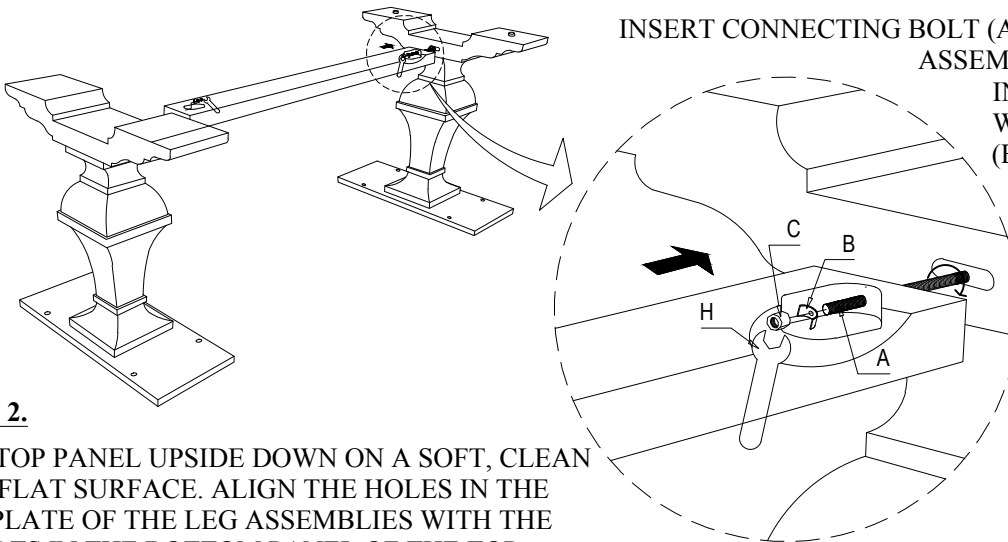


PART INSIDE			
1	2	3	4
TOP PANEL (1 Pc)	LEAF PANEL (2 Pcs)	WOOD LEGS (2 Pcs)	STRETCHER (1 Pc)
			

Assembly Instruction

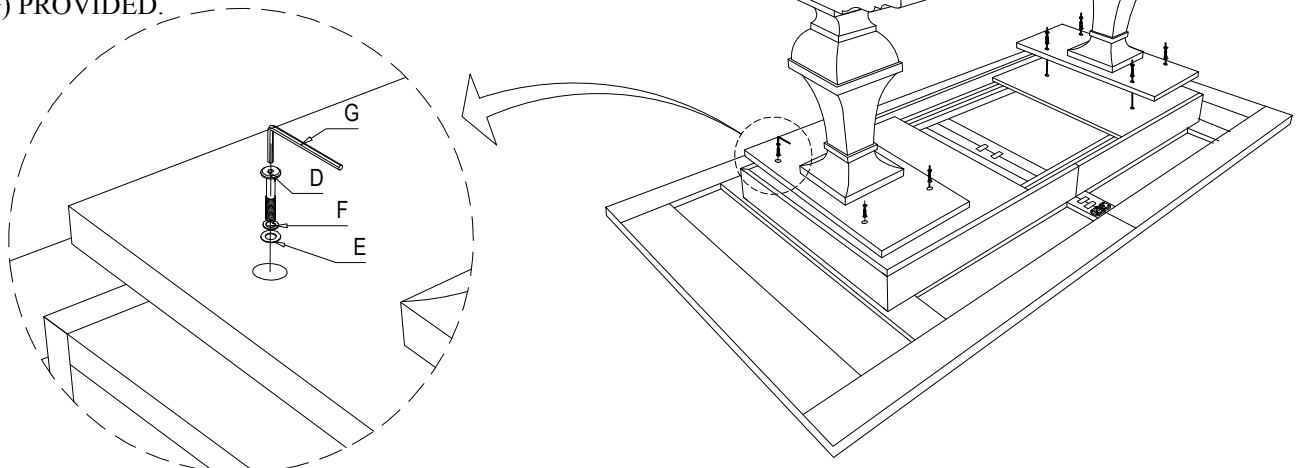
STEP 1:

INSERT CONNECTING BOLT (A) INTO INSERT IN LEG ASSEMBLIES. PLACE STRETCHER IN POSITION AND LOCK WITH HALFMOON WASHER (B), HEXAGON NUTS (C) USING WRENCH (H) PROVIDED.



STEP 2.

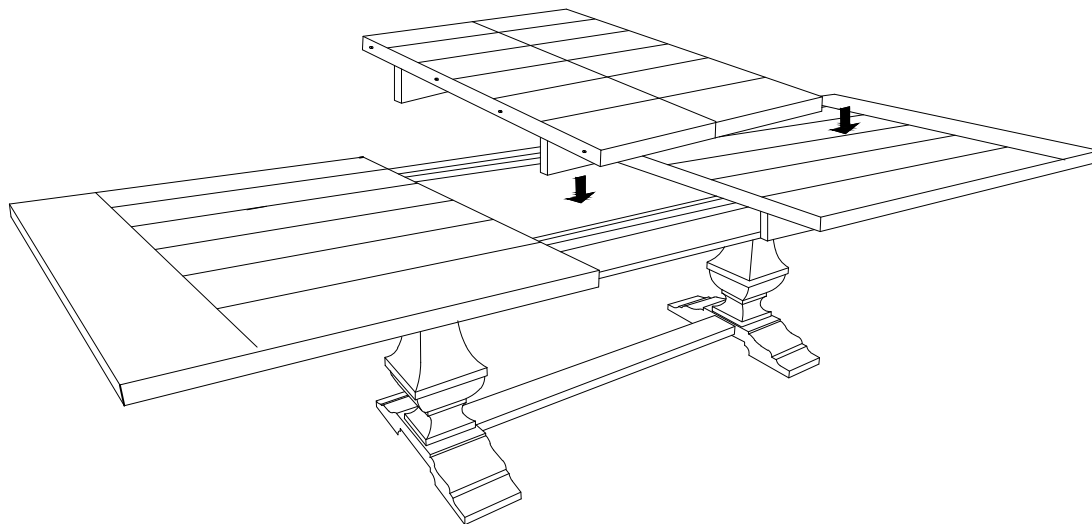
LAY TOP PANEL UPSIDE DOWN ON A SOFT, CLEAN AND FLAT SURFACE. ALIGN THE HOLES IN THE TOP PLATE OF THE LEG ASSEMBLIES WITH THE INSERTS IN THE BOTTOM PANEL OF THE TOP ASSEMBLY. CONNECT USING FLAT WASHER (E), SPRING WASHER (F), ALLEN BOLT (D) AND ALLEN KEY (G) PROVIDED.



STEP 3:

TURN ASSEMBLED TABLE UPWARD.

- * TO ATTACH EXTENSION LEAF, UNLOCK TABLE LOCKS UNDER THE TOP, SLIDE TABLE TOP HALVES APART AND PLACE EXTENSION LEAF IN THE OPENING POSITION. SLIDE TOP HALVES TO HOLD EXTENSION LEAF IN PLACE AND LOCK THE TABLE LOCKS.



- * TO REMOVE EXTENSION LEAF, UNLOCK TABLE LOCK UNDER THE TOP, SLIDE TABLE TOP HALVES APART. REMOVE EXTENSION LEAF (G) AND SLIDE TOP HALVES TOGETHER. LOCK THE TABLE LOCKS.