

Wellworth® | K-3947

Two-piece round-front toilet, 1.28 gpf

Features

- Two-piece design
- Round-front bowl offers an ideal solution for smaller bathrooms and powder rooms
- Left-hand Polished Chrome trip lever
- Combination consists of toilet bowl and tank
- Coordinates with other products in the Wellworth collection
- KOHLER's canister flush valve harnesses the natural force of gravity and optimizes flushing performance
- Eligible for consumer rebates in some municipalities
- 1.28 gpf (4.8 lpf)
- 2-1/8" (54 mm) fully glazed trapway
- Class Five® canister optimizes the flow out of the tank, harnessing gravity and the natural, powerful reducing cascade of water to increase the power and effectiveness of the flush



Sustainability



Available Colors/Finishes

Color tiles intended for reference only.

- 0 White
- 96 Biscuit
- 7 Black Black



Codes/Standards

Accessibility standards may require controls to be located on the open side of the toilet.

Plumbing codes may require elongated toilets and elongated, open-front seats in public bathrooms.



ASME A112.19.2/CSA B45.1
DOE - Energy Policy Act 1992
EPA WaterSense®
California Energy Commission (CEC)

Warranty

See website for detailed warranty information.

KOHLER® Toilets and Seats Limited Warranty

Technical Information

Rough-in:	14"
Flush Type:	Class Five
Flush Rate:	1.28 gpf (4.8 lpf)
Bowl Shape:	Round-front
Seat-Mounting Holes:	5-1/2" (140 mm)
Waste Outlet:	Floor
Trapway Size:	2-1/8" (54 mm)
Trapway Type:	Exposed
Water Surface Size:	10-1/2" x 7-3/4" (267 mm x 197 mm)
Rim to Water Surface:	5-1/4" (133 mm)

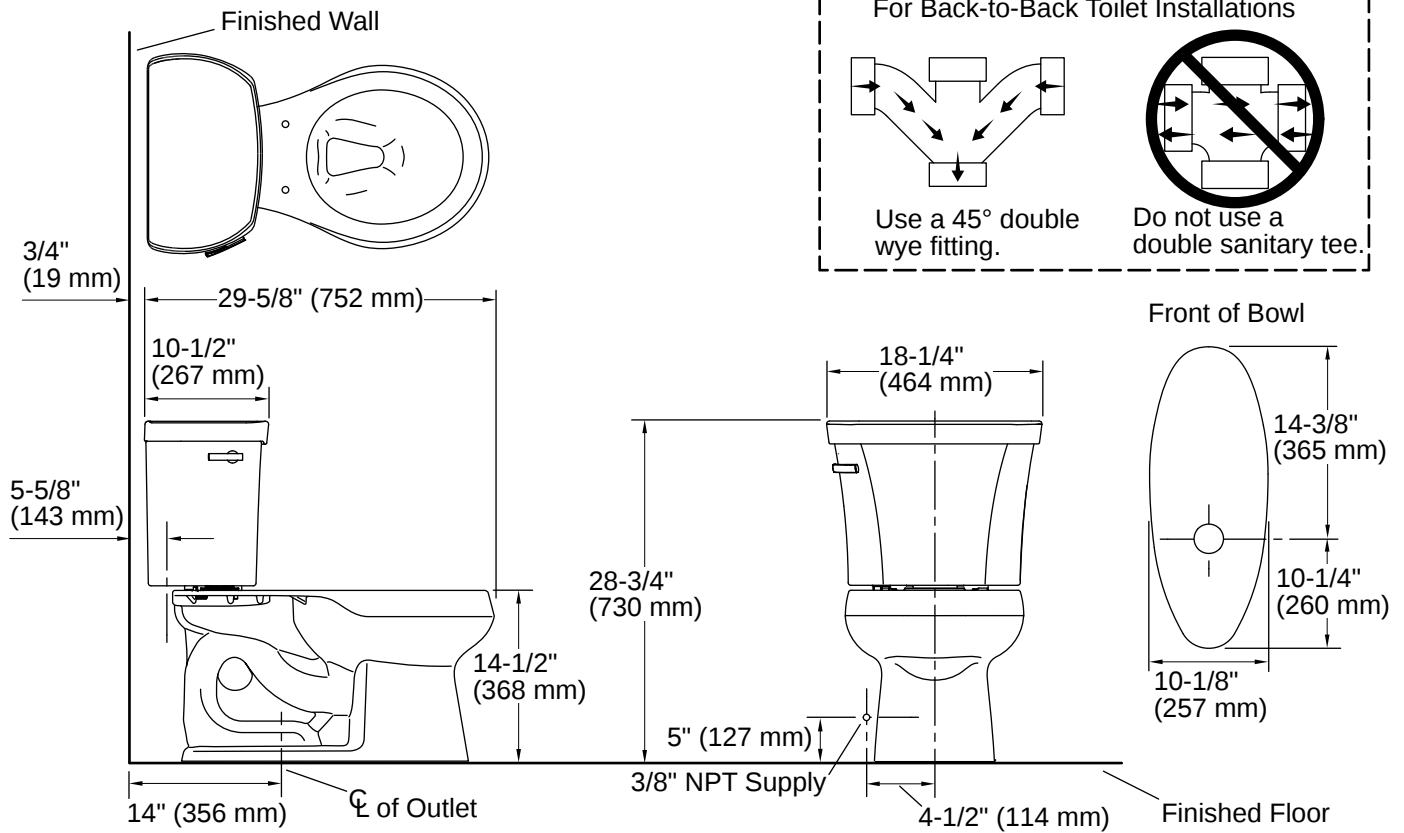
Included Combo Skus

- K-4197 Round-front toilet bowl
- K-4841 Toilet tank, 1.28 gpf

Recommended Products/Accessories

1023457 Toilet Wax Ring And Hardware Kit
1265114 12" Toilet Supply Line
K-23726 Drain treatment
K-9379 Trip lever
K-5420 Low-profile toilet bolt caps
K-4639-RL ReadyLatch® Quiet-Close™ round-front toilet seat





Installation

- Three-bolt quick-connect installation
- Seat and supply line sold separately

Installation Notes

Install this product according to the installation instructions.

Product dimensions are nominal and may vary per ASME A112.19.2 tolerances.

