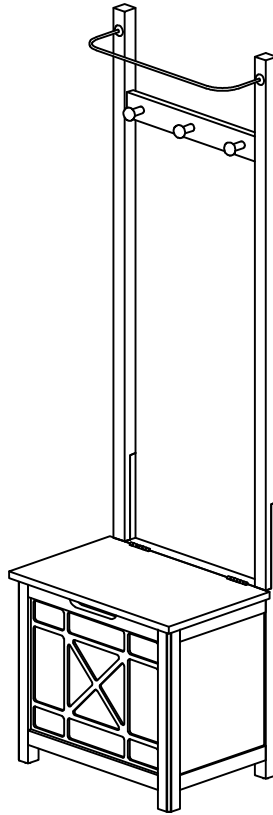


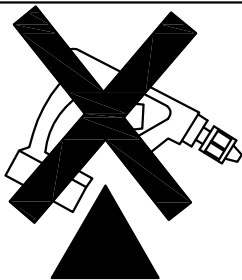
# ASSEMBLY INSTRUCTION

## BATH SINGLE STOOL

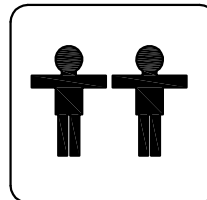


### REPLACEMENT PARTS

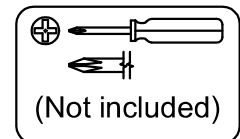
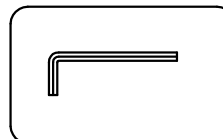
Please do not contact the company purchased from as we can help you faster.  
Order replacement parts and hardware at " [www.boltonfurniture.com](http://www.boltonfurniture.com) "



- . Use of power tool to assemble this product will invalidate any claim and damage this product making it unsafe !!!
- . Please assemble on a clean soft surface to avoid damage.

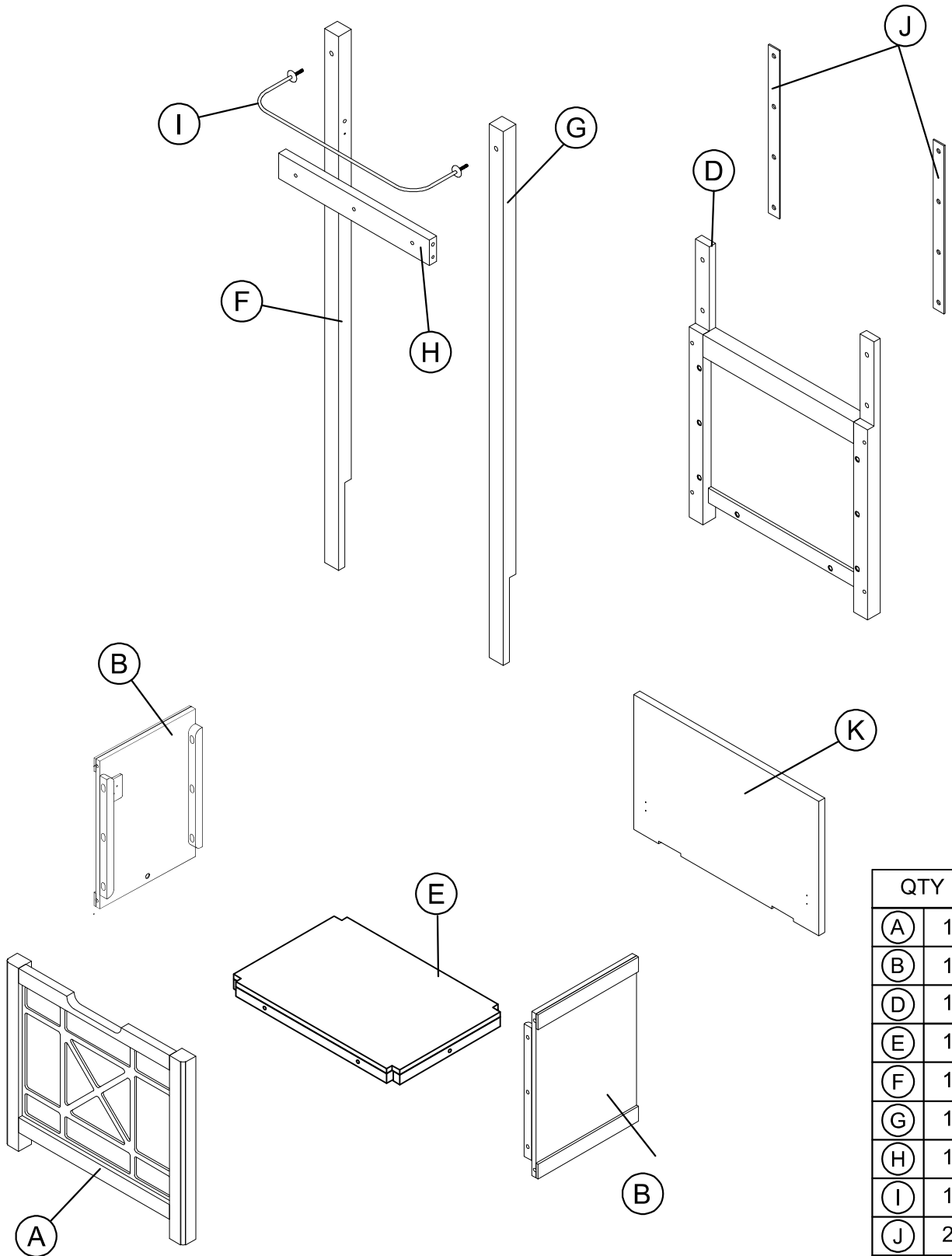


### Tools Required



[www.boltonfurniture.com](http://www.boltonfurniture.com)


# Part list - Nesting Coffee Table





QTY	
(A)	1
(B)	1
(D)	1
(E)	1
(F)	1
(G)	1
(H)	1
(I)	1
(J)	2
(K)	1
Cushion	1

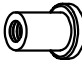
**Identifying the hardware-Identify the hardware using the illustrations below**

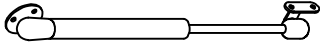
1  2  
CAM LOCK PIN + CAM LOCK

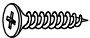
2  4  
M6 x 20MM BOLT

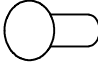
3  25  
M6 x 30MM BOLT

4  10  
Ø8 x 30MM DOWEL

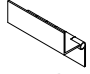
5  2  
M6 x 13MM NUT

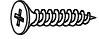
6  1  
LIFT HINGHE

7  5  
M4 x 15MM SCREW


8  3  
KNOB


9  1  
ALLEN KEY

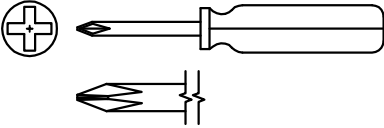
10  2  
HINGE

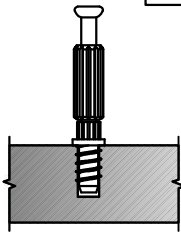
11  12  
M3 x 15MM SCREW

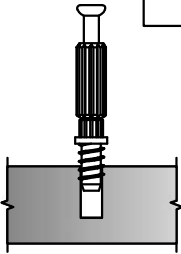
# STEP 1

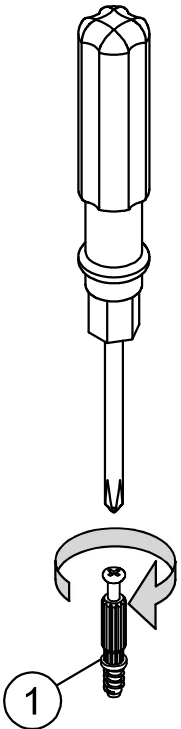
1	 CAM LOCK SET	2
---	---	---

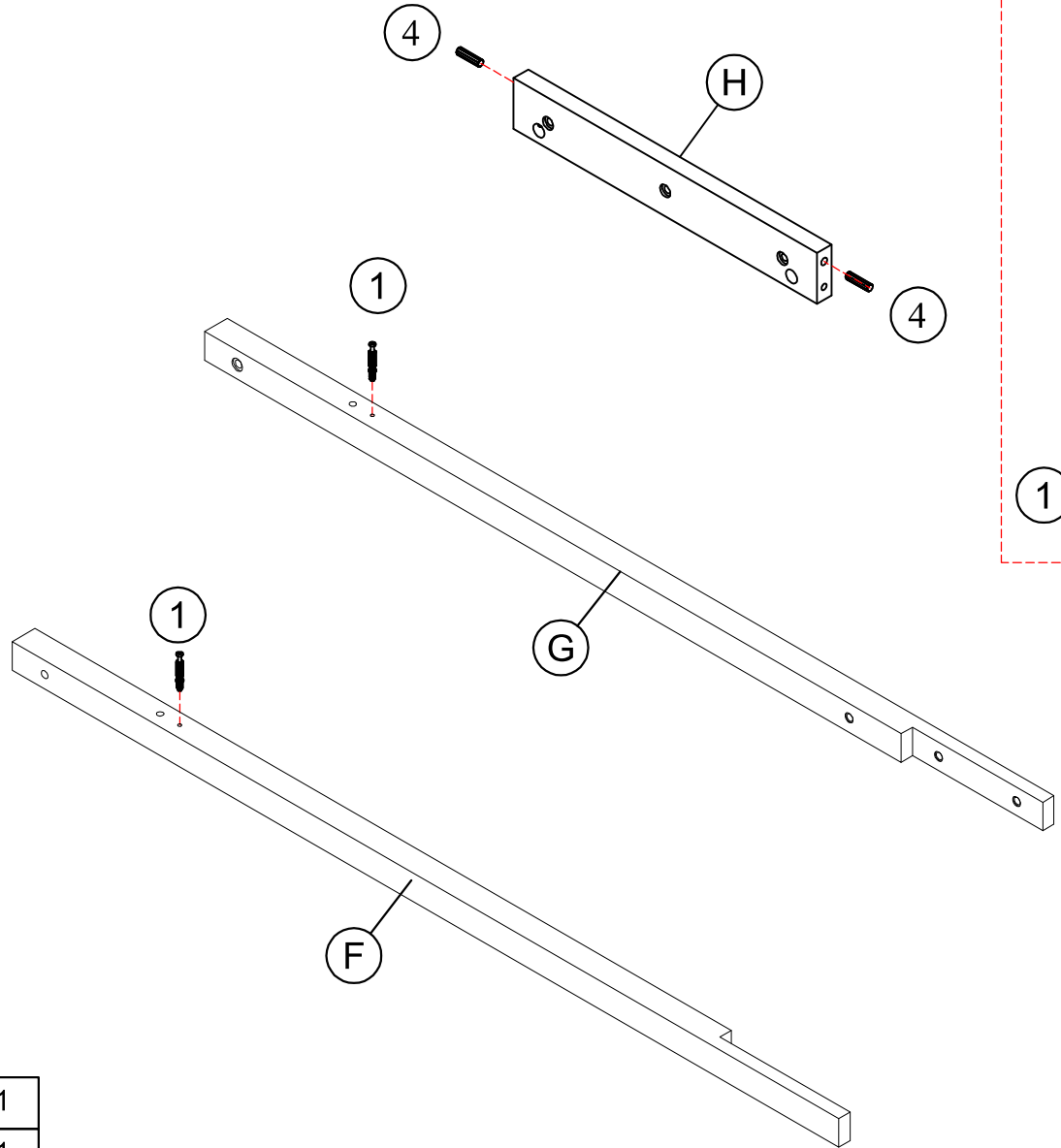
4	 Ø8 x 30MM DOWEL	2
---	--	---

  
**(Not included)**



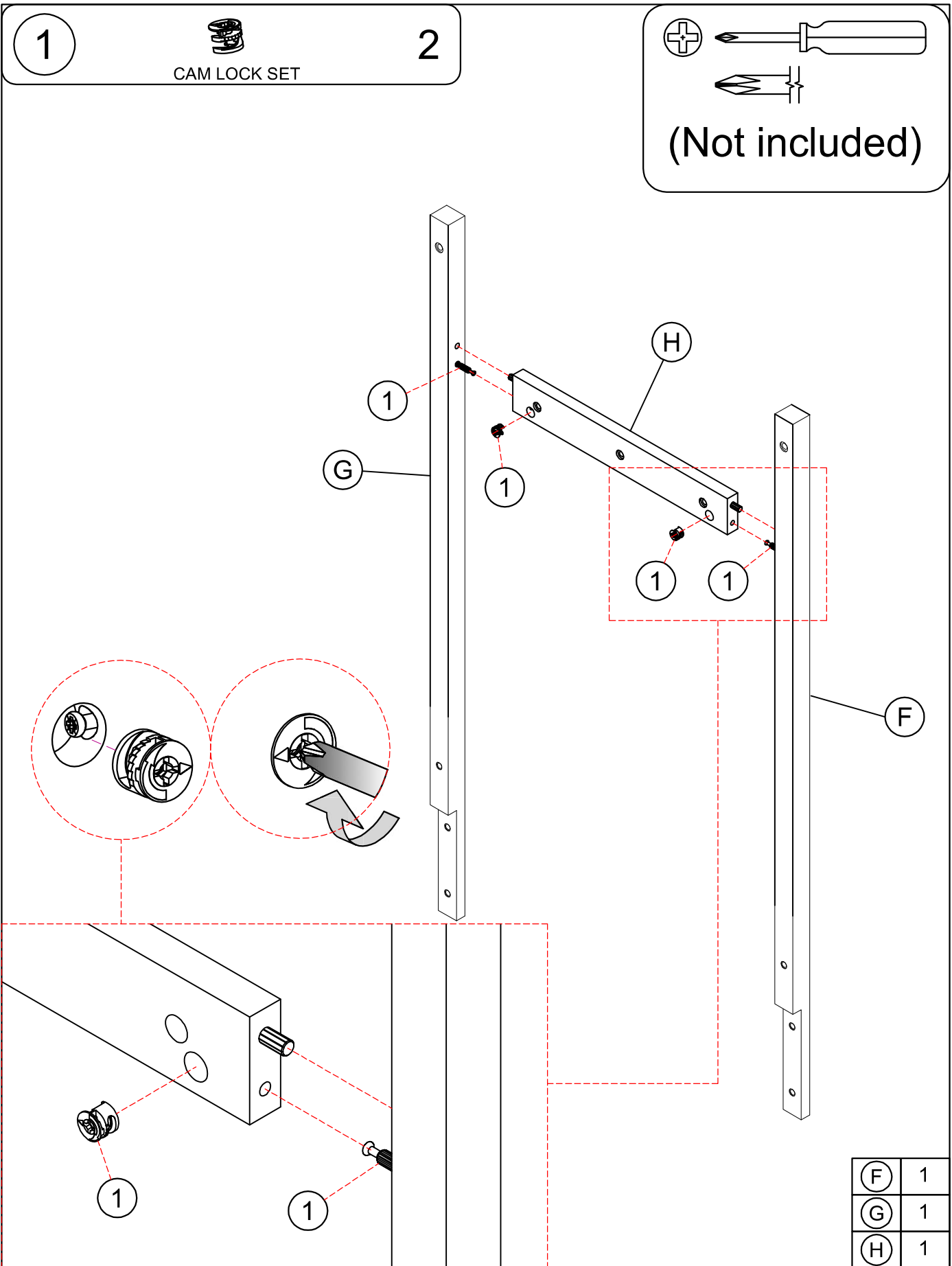






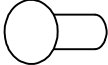

F	1
G	1
H	1

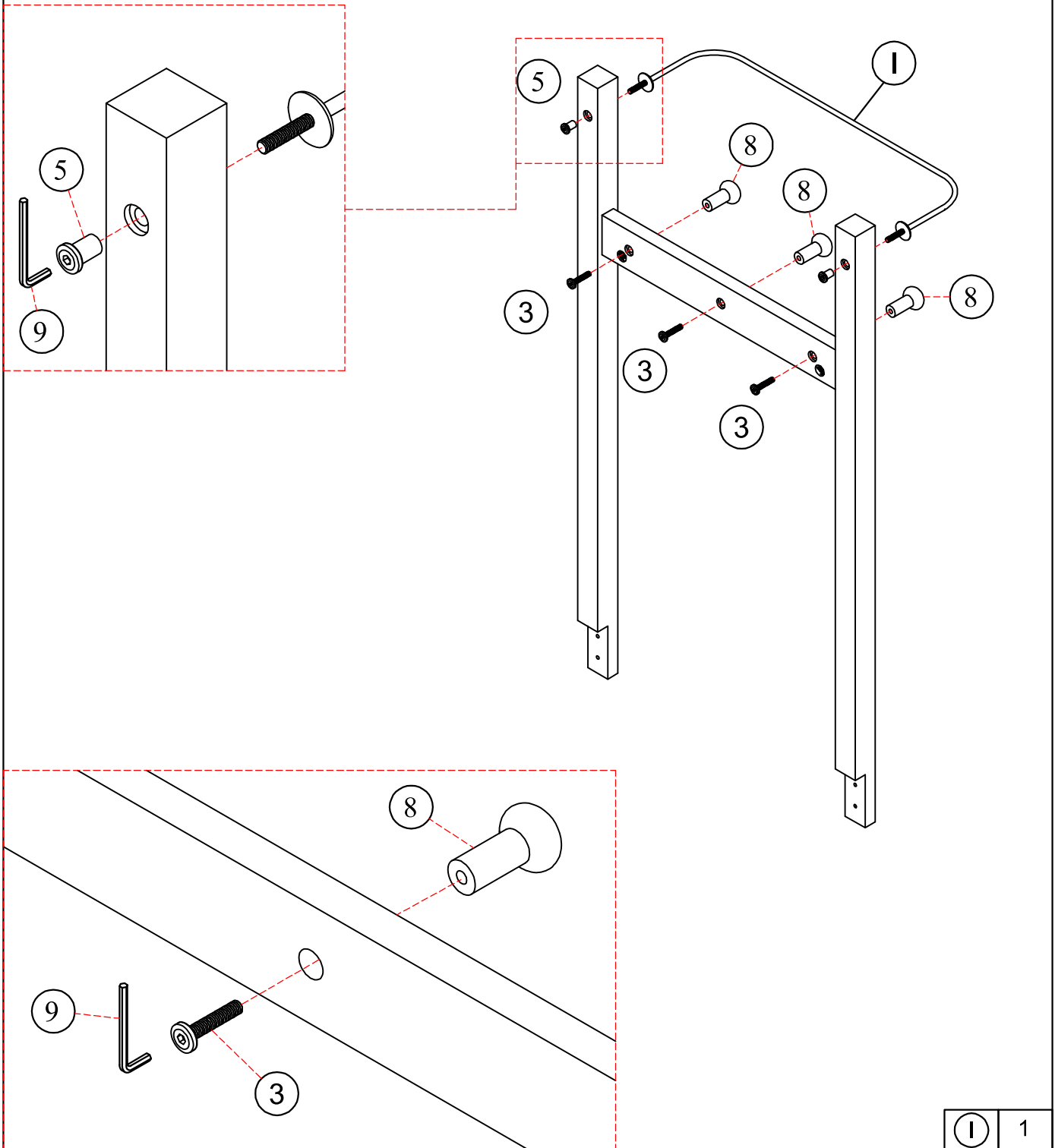
# STEP 2



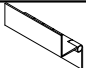
# STEP 3

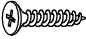
3		3	5		2
M6 x 30MM BOLT				M6 x 13MM NUT	

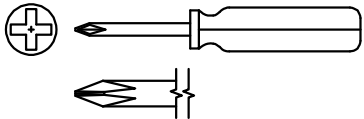
8		3	9		1
KNOB				ALLEN KEY	

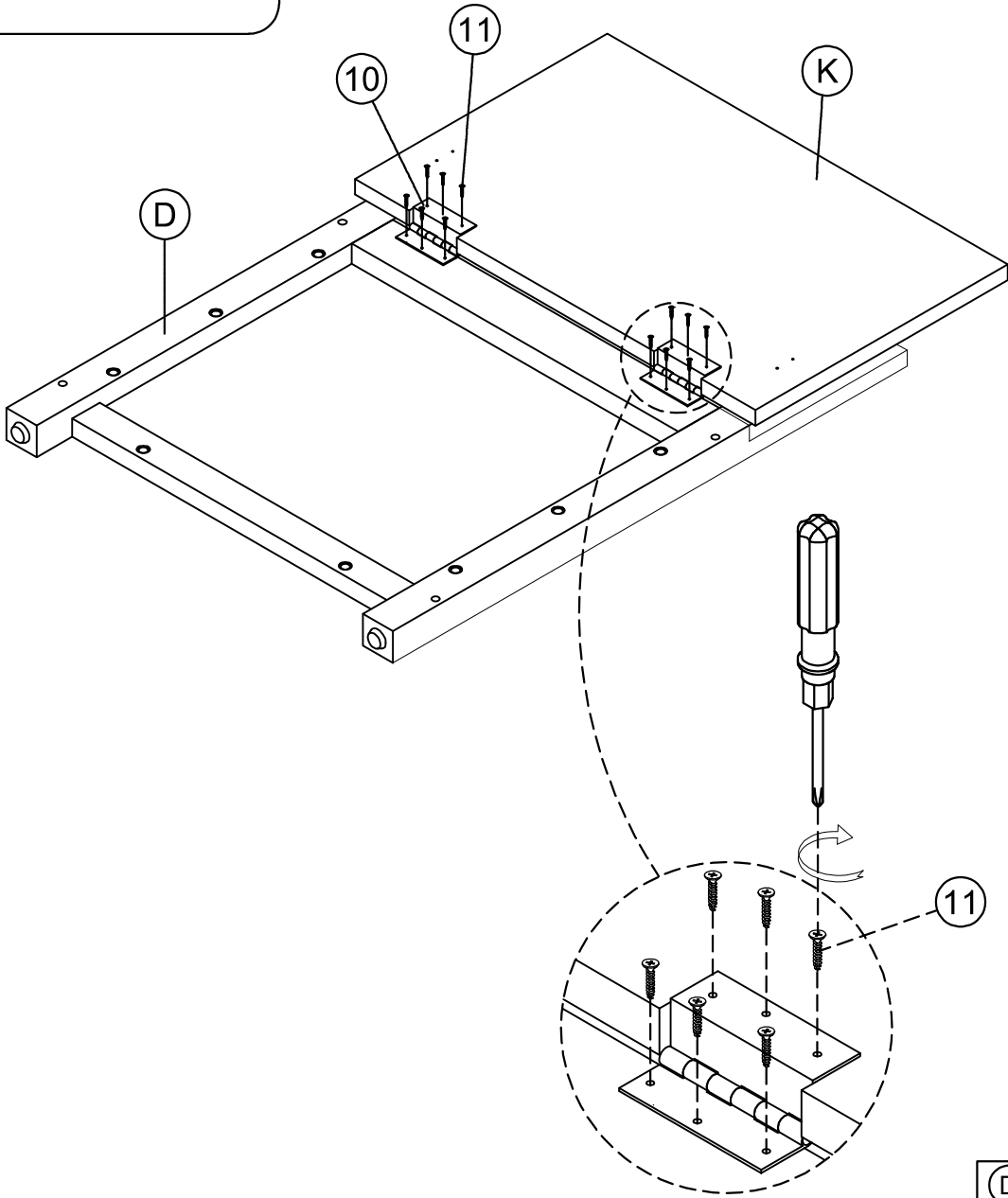


# STEP 4

10  2

11  12

  
(Not included)



D	1
K	1

# STEP 5

3

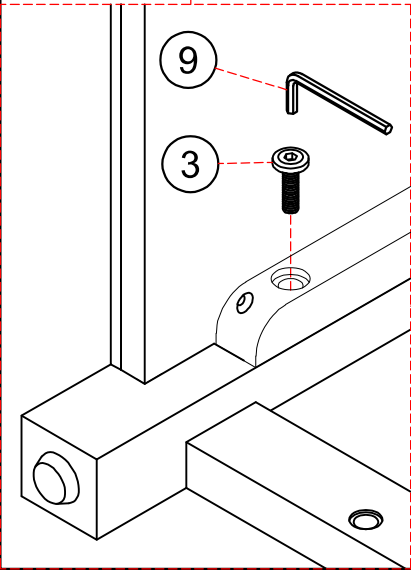
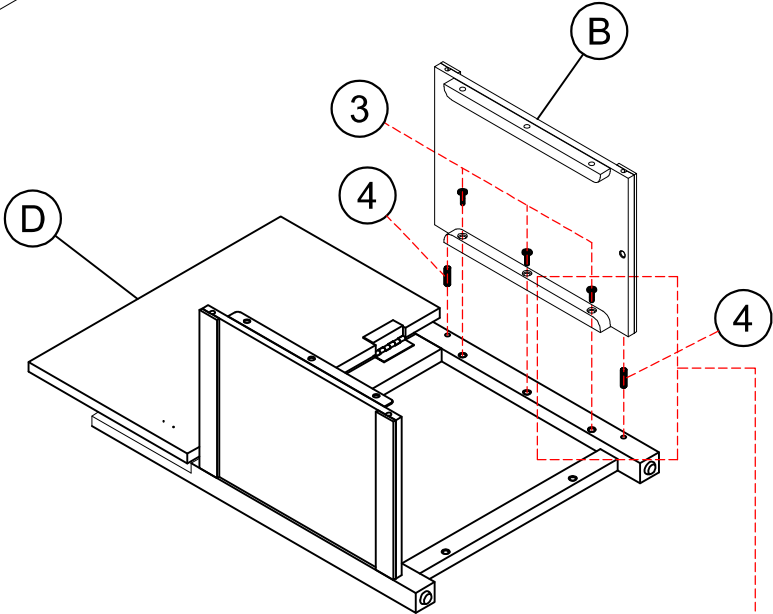
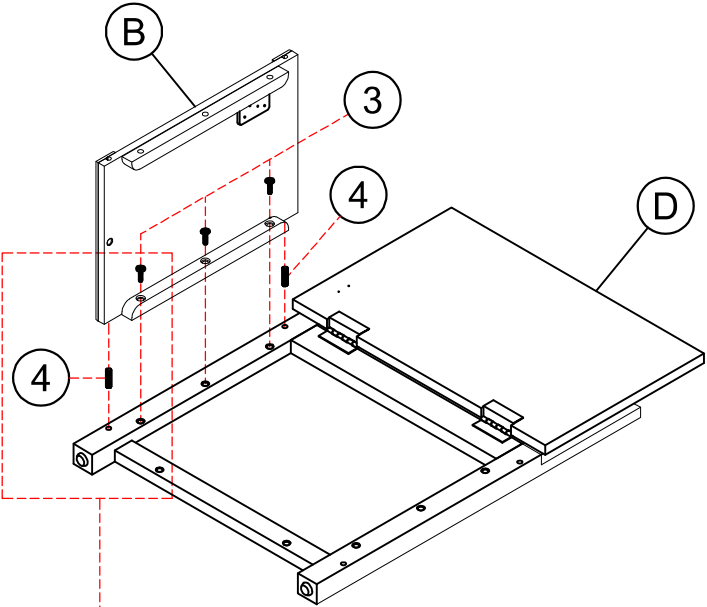
6  
 M6 x 30MM BOLT

4

4  
 Ø8 x 30MM DOWEL

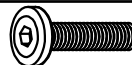

9

1  
 ALLEN KEY

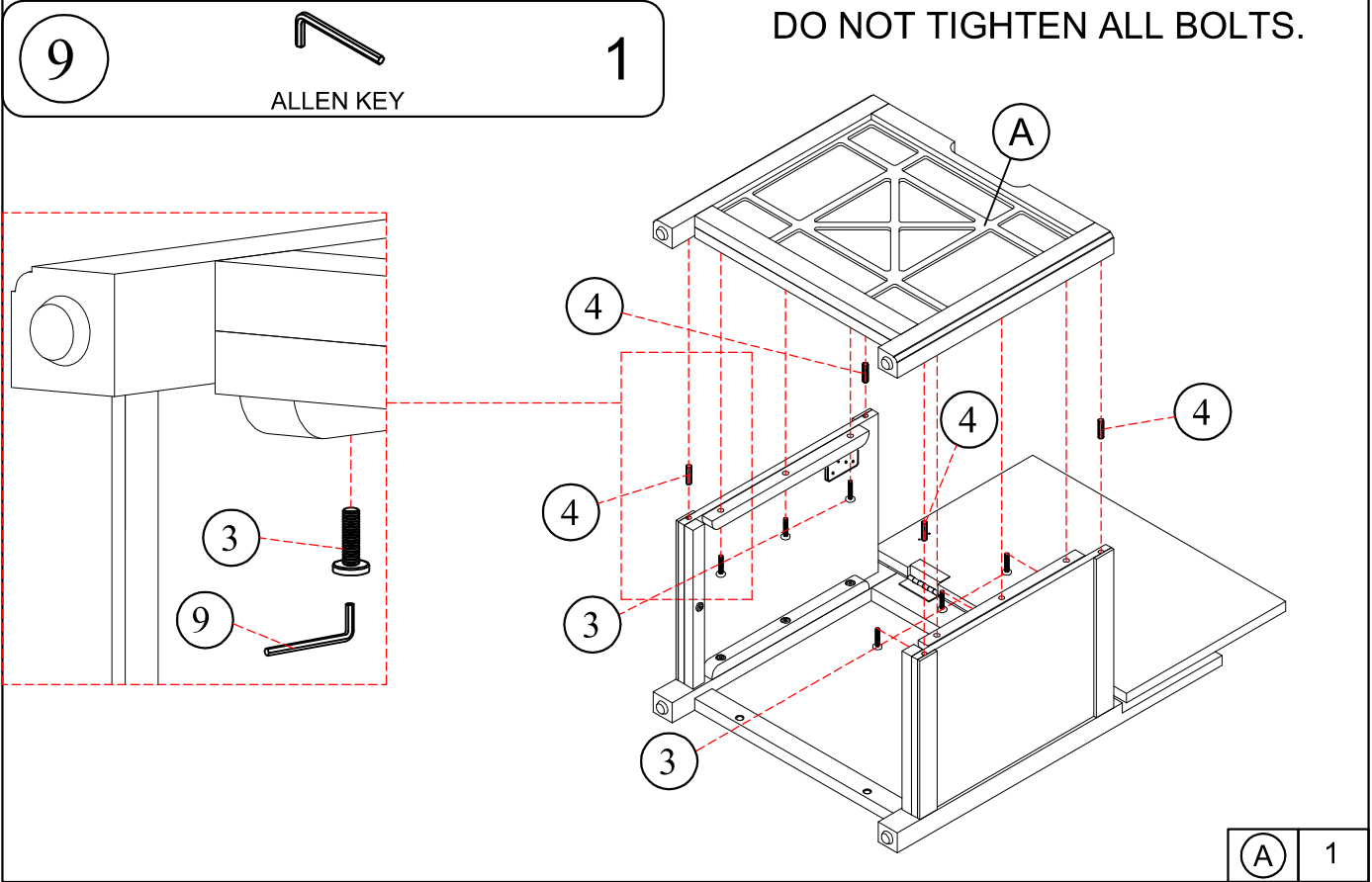


B	1
C	1
D	1


# STEP 6

3	 M6 x 30MM BOLT	6	4	 Ø8 x 30MM DOWEL
---	---	---	---	--

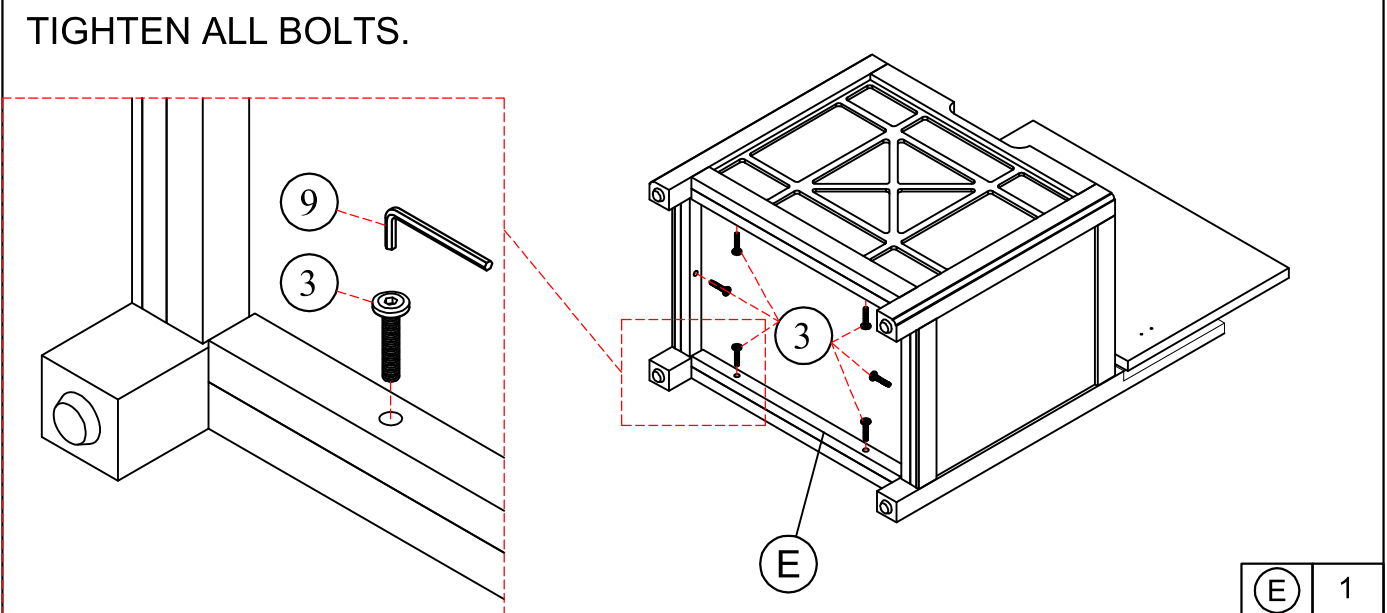
DO NOT TIGHTEN ALL BOLTS.



# STEP 7

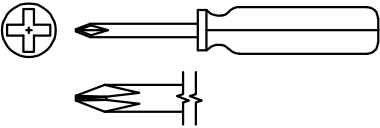
3	 M6 x 30MM BOLT	6	9	 ALLEN KEY
---	---	---	---	--

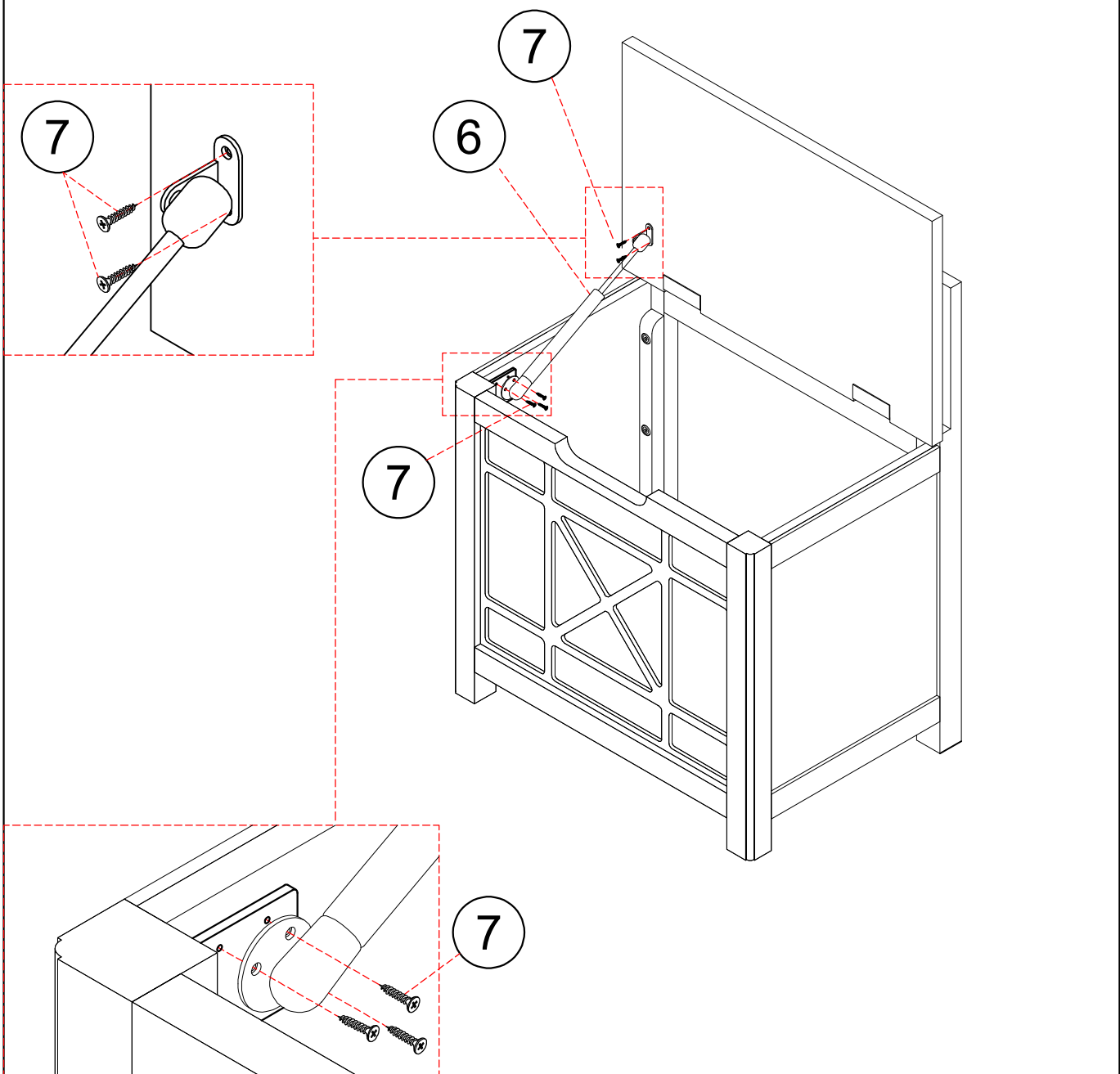
TIGHTEN ALL BOLTS.



# STEP 8

<p>6</p>  <p>LIFT HINGE</p> <p>1</p>	<p>7</p>  <p>M4 x 15MM SCREW</p> <p>5</p>
---	--

  
(Not included)



# STEP 9

