

# ROCKPORT DRESSER MIRROR

## ASSEMBLY INSTRUCTIONS

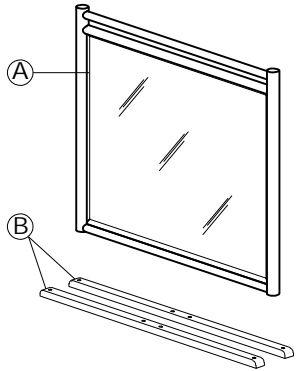


### PARTS PACKING CONFIGURATIONS

#### BOX #1:

- A. MIRROR
- B. MIRROR SUPPORT
- \*MIRROR HARDWARE PACK

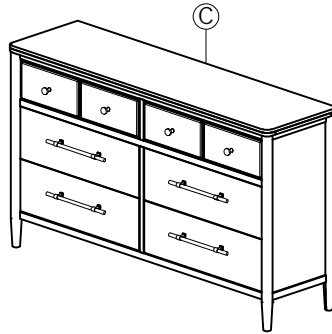
1 PC  
2 PCS



#### BOX #2:

- C. 6 DRW DRESSER  
(SOLD SEPARATELY)

1 PC



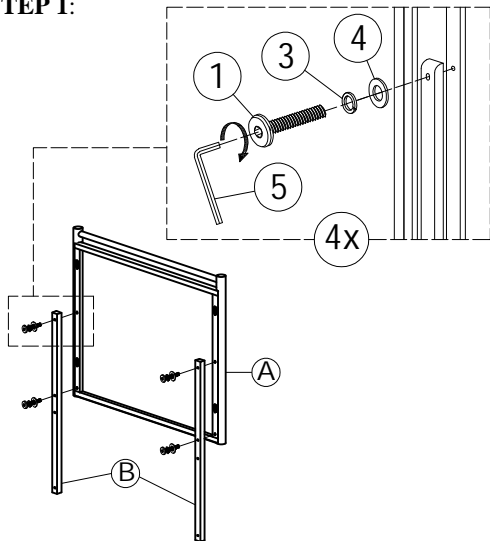
#### HARDWARE KIT PACKED IN BOX #1

No.	Description	Image	Quantity
1	ALLEN BOLT (8x40mm)		4 PCS
2	WOOD SCREW (2 1/2 in)		4 PCS
3	SPRING WASHER (M9)		4 PCS
4	FLAT WASHER (M9)		4 PCS
5	ALLEN KEY (4mm)		1 PC
6	FLAT WASHER (1/4 in)		4 PCS

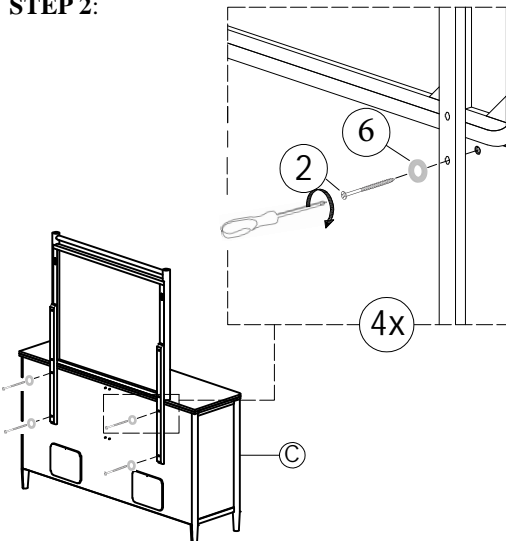


### OPTION 1: DRESSER MOUNTING

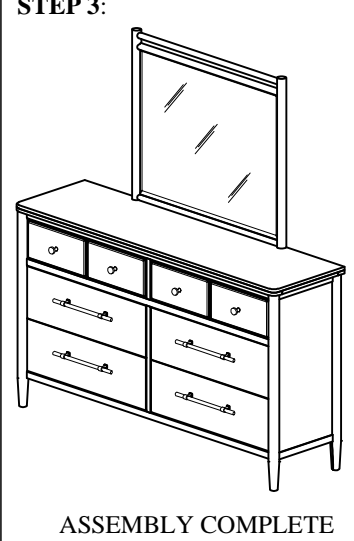
#### STEP 1:



#### STEP 2:

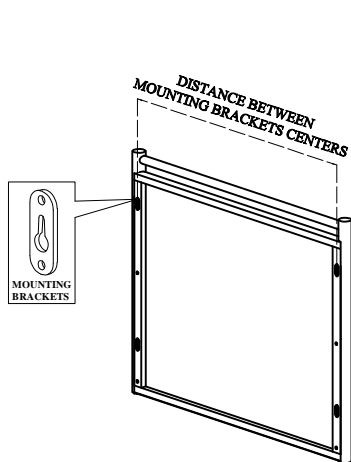


#### STEP 3:



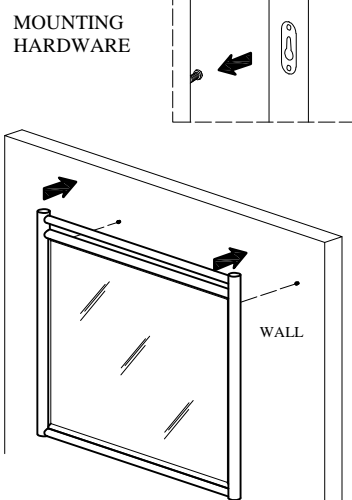
### OPTION 2: WALL MOUNTING

#### STEP 1:



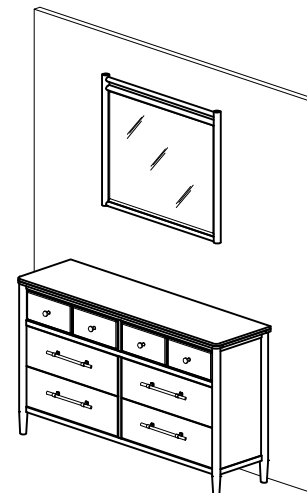
MIRROR BACK

#### STEP 2:



\* WALL MOUNTING HARDWARE NOT INCLUDED.

#### STEP 3:



ASSEMBLY COMPLETE