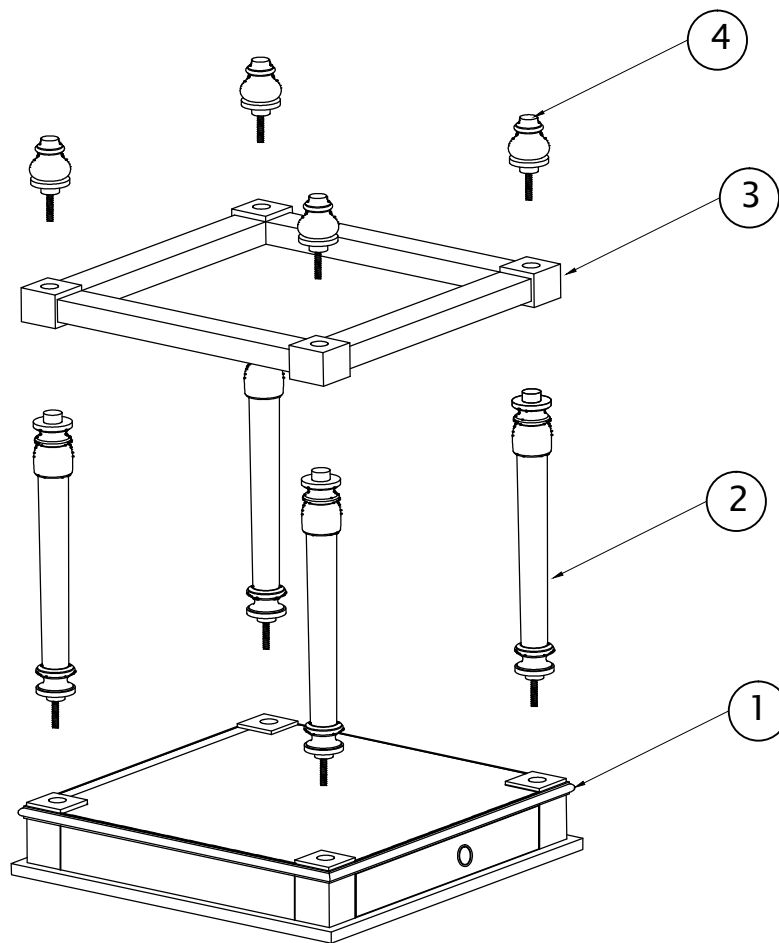


HEKMAN

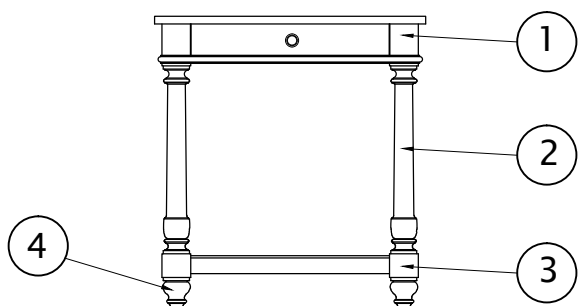
ASSEMBLY INSTRUCTION

27218-LAMP TABLE



Turn the Table Top (1) upside down on a soft, clean surface.

Please tighten Posts (2) first and assemble Shelf (3) then tighten Table Legs(4).



Part	Description	Qty
1.	Table Top	1 pc
2.	Post	4 pcs
3.	Shelf	1 pc
4.	Table Leg	4 pcs