



## Iron Plains®

30" rectangular drop-in/undermount/vessel bathroom sink with Iron Black painted underside  
**K-20212-P5**

### Features

- Large rectangular basin
- No faucet holes; requires wall- or counter-mount faucet
- Overflow drain

### Material

- KOHLER® enameled cast iron
- Painted underside in Iron Black

### Installation

- Vessel, drop-in, or undermount

### Recommended Products/Accessories

K-23726 Drain treatment  
K-23725 Cast iron cleaner

### Included Components

1193643 Basin clamps



ADA

CSA B651

### Codes/Standards

ASME A112.19.1/CSA B45.2  
ADA  
ICC/ANSI A117.1  
CSA B651


### KOHLER® Enameled Cast Iron Kitchen and Bathroom Sink Lifetime Limited Warranty

See website for detailed warranty information.

### Available Colors/Finishes

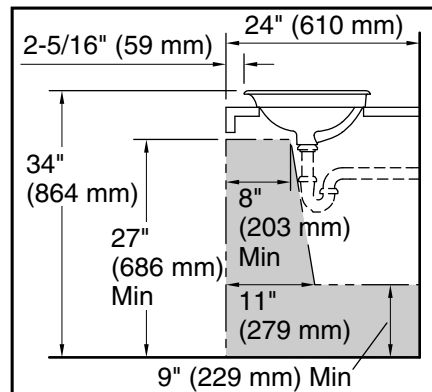
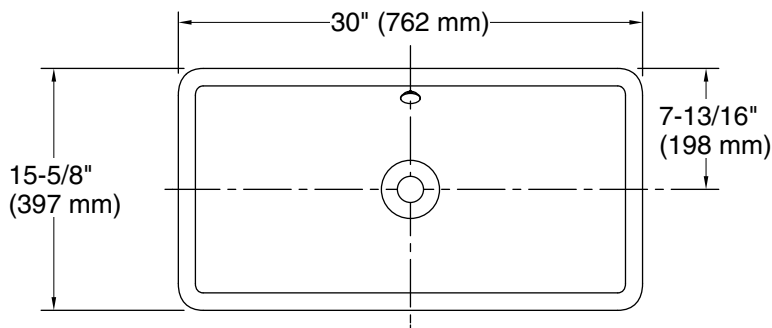
*Color tiles intended for reference only.*

Color	Code	Description
-------	------	-------------

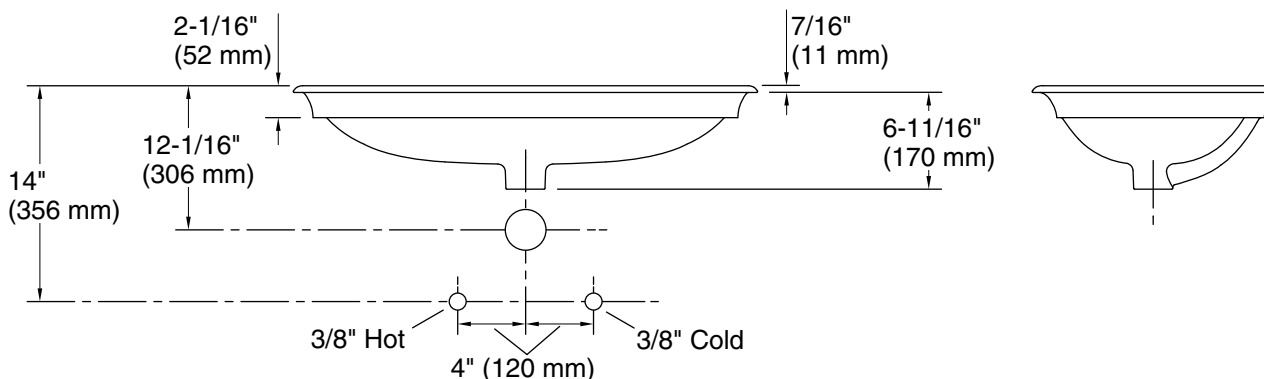
	0	White
---	---	-------



**Iron Plains®**  
 30" rectangular drop-in/undermount/vessel bathroom  
 sink with Iron Black painted underside  
**K-20212-P5**



Recommended ADA Installation



**Technical Information**

All product dimensions are nominal.

- Basin configuration: Single Bowl
- Bowl area (Only): Length: 28-13/16" (732 mm)  
 Width: 14-7/16" (367 mm)  
 Bowl depth: 4-3/4" (121 mm)
- With overflow: Yes
- Drain hole: 1-3/4" (44 mm)
- Template: 1319048-7, required, included

**Notes**

Install this product according to the installation instructions.

NOTICE: Countertop manufacturer or cutter must use the cut-out template provided with the product, or a current one provided by Kohler Co. (call 1-800-4-KOHLER). Kohler Co. is not responsible for cutout errors when the incorrect cut-out template is used.

ADA, CSA B651 compliant when installed to the specific requirements of these regulations.