



Play The Best®

TABLE TENNIS TABLE

MODEL NOS.

T8723

OWNER'S MANUAL

1. **Read this manual carefully before starting assembly.** Read each step completely before beginning each step.
2. **Some smaller parts may be shipped inside larger parts. Check inside all parts and cartons before assembling or ordering parts.**
3. **To make assembly easier, use the Hardware Identifier on page 16 to identify and sort all fasteners. Check all cartons for kits. All hardware may not be located in one kit.**
4. **Do not tighten hardware until instructed to do so.** If hardware is tightened too soon, mounting holes may not align and parts may not easily fit together. Leave locknuts slightly loose until you are instructed to tighten them.
5. **Tools required for assembly:** Phillips Screwdriver, 3/8 Wrench, and Two 7/16 Wrenches (adjustable wrenches may be substituted for the wrenches).
6. **An electric screwdriver is helpful in assembly.** However, please set at **low torque** and use caution because you could overtighten the hardware and strip the screws.
7. **Save these instructions and your proof of purchase (receipt) in the event that the manufacturer has to be contacted for replacement parts.**

Please Do Not Return This Product To The Store!

Contact Escalade® Sports customer service department at:

Phone: 1-866-873-3528 Toll – Free !

Fax: 1-866-873-3533 Toll – Free !

E-mail: tabletennis@escaladesports.com

Mailing Address (correspondence only):

Escalade Sports

PO Box 889

Evansville, IN 47706

Please visit our Website at: www.escaladesports.com

ON-LINE TROUBLE SHOOTING

TECHNICAL ASSISTANCE

ON-LINE PARTS REQUESTS

FREQUENTLY ASKED QUESTIONS

ADDITIONAL ESCALADE® SPORTS PRODUCT INFORMATION



2L-7587-00

Escalade® Sports products may be manufactured and/or licensed under the following patents.
6120397, 5816957, 5769744, 5119741, 4911085, 4717157, D460140, D420563

Additional patents may be pending. One or more of the listed patents and/or pending patents may cover specific product.

©2014 Escalade® Sports

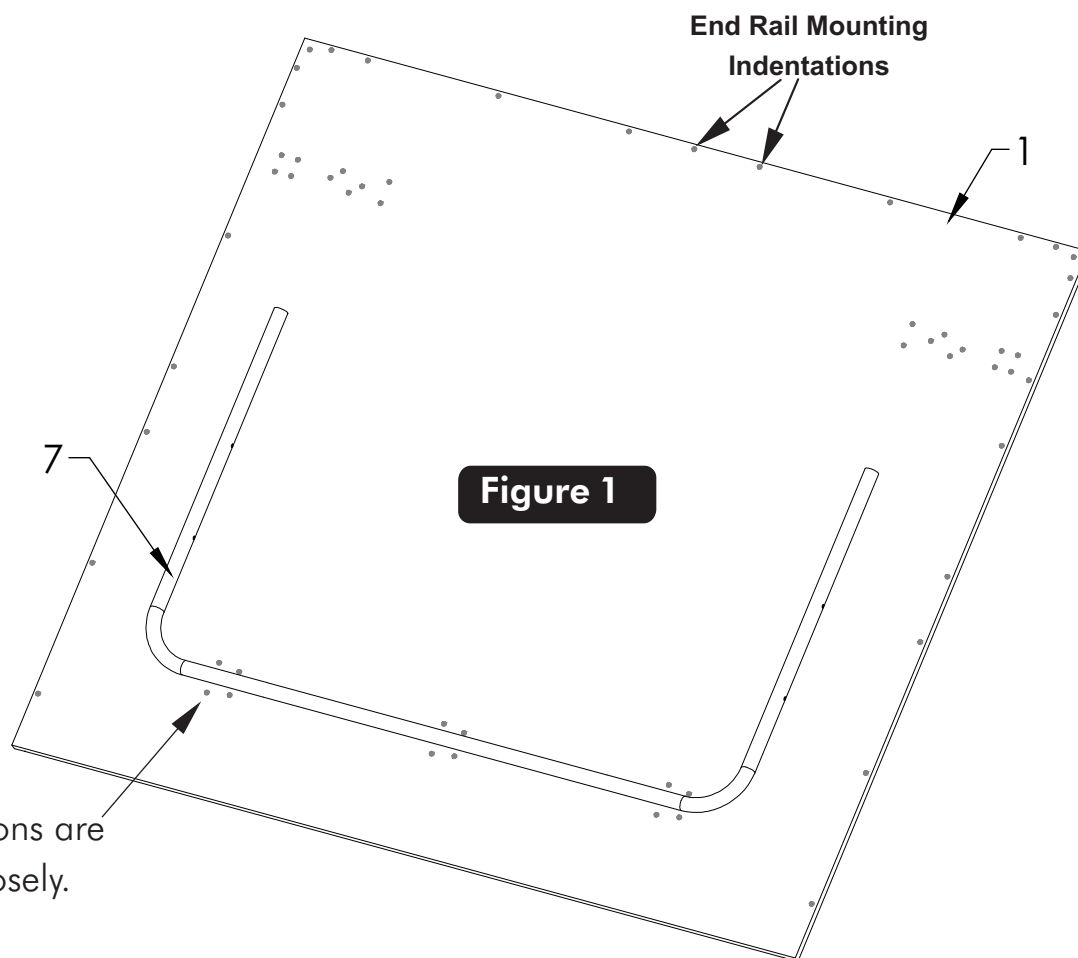


- A. **An electric screwdriver is helpful in assembly.** However, please set at low torque and use caution because you could overtighten the hardware and strip the screws.
- B. **Indentation mounting guides are small so look closely when attaching hardware.**
- C. **Table top can be set on top of two saw horses.** Although this will make assembly easier it is not necessary to complete assembly. Always use shipping container to protect the painted surface of the table top.

CAUTION: Make sure that the table top is secure on sawhorses and **NEVER** leave the table top unattended.

For aid in identifying hardware, see hardware identifier on pg 16.

1. Lay Table Top #1 painted side down, on a smooth, flat surface. Use the shipping container to protect the painted surface of the table top.
2. Align U-Support (#7) on Table Top as shown in **Figure 1.**



Note: Indentations are small so look closely.

CAUTION:

WHEN ASSEMBLING TABLE, IT IS EXTREMELY IMPORTANT THAT THE U-CLIPS (#3) BE TURNED AS SHOWN HERE. IF U-CLIPS ARE TURNED INCORRECTLY, YOU WILL DO IRREPARABLE DAMAGE TO YOUR TABLE WHEN YOU ATTEMPT TO OPEN IT TO THE PLAYING POSITION.

3. Align the holes in the U-clips #3 with Indentations in table top assembly and secure with twelve screws #20 as shown. All four holes in each U-Clip **must align** with four Indentations in top. See **Figure 2** and **Detail A**.

If you want to see a video on how to position the U-Clips go to:
<http://www.escaladesports.com/customer-service/videos.html>

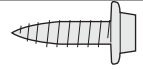
Or scan with your smartphone:



End Rail Mounting Indentations

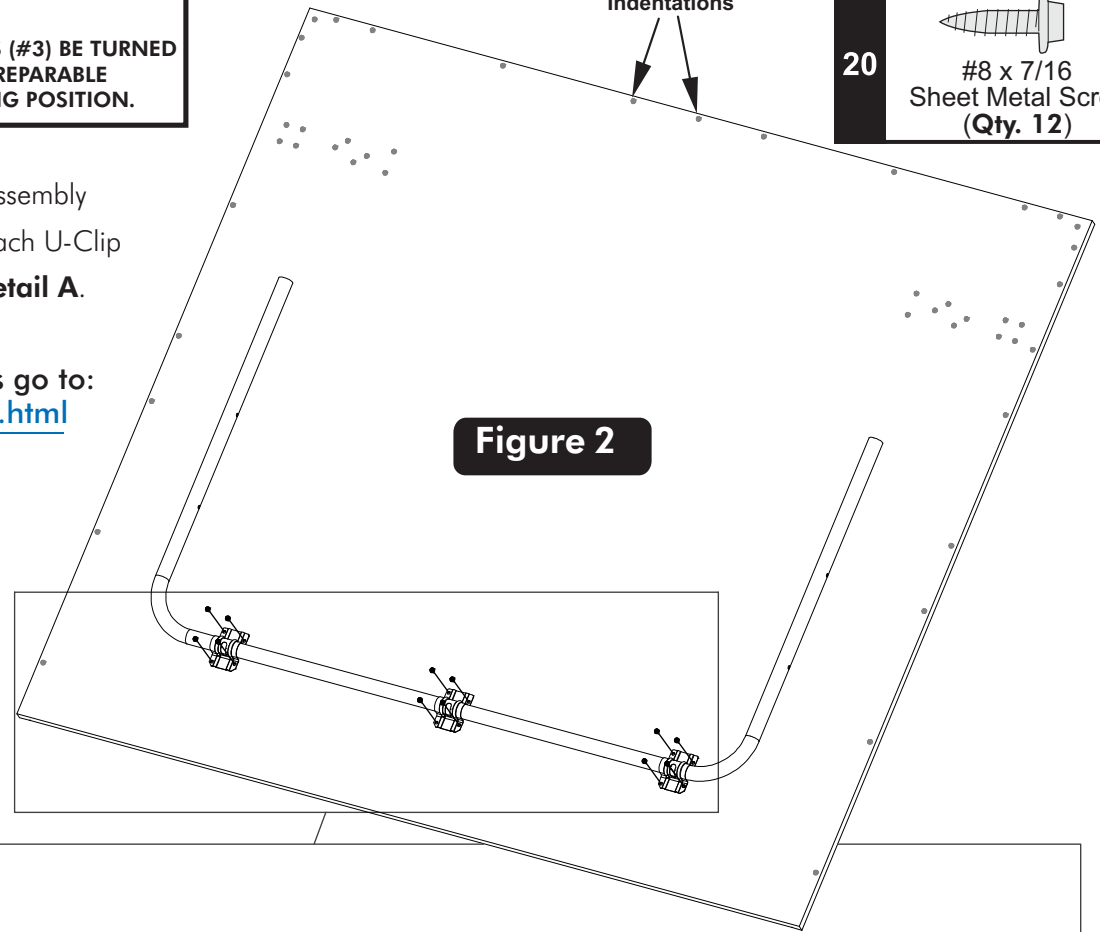
Hardware Needed

20

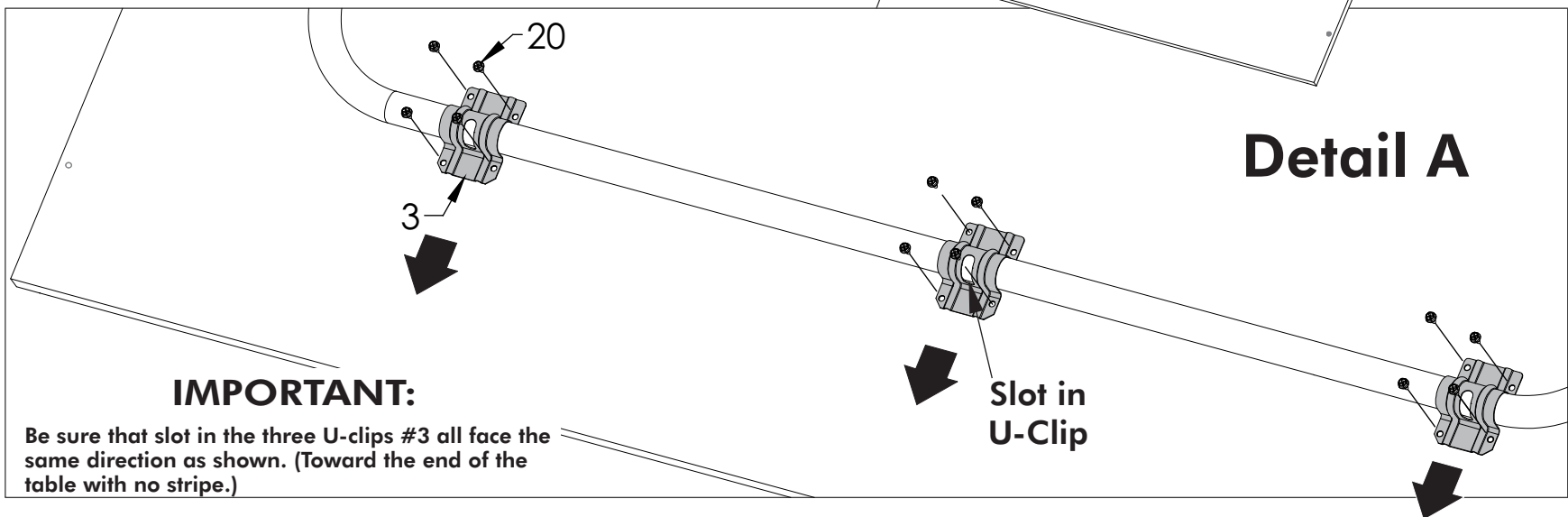


#8 x 7/16
Sheet Metal Screw
(Qty. 12)

Figure 2



Detail A



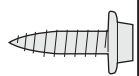
IMPORTANT:

Be sure that slot in the three U-clips #3 all face the same direction as shown. (Toward the end of the table with no stripe.)

Hardware Needed

20

#8 x 7/16
Sheet Metal Screw
(Qty. 20)



4. Align the holes in the Mounting Brackets #33 & #34 with Indentations in table top assembly and secure with screws #20 as shown. All holes in each Mounting Bracket **must align** with Indentations in the top. See **Figure 3** and **Detail B**.

Note: Indentations in table top are small so look closely.

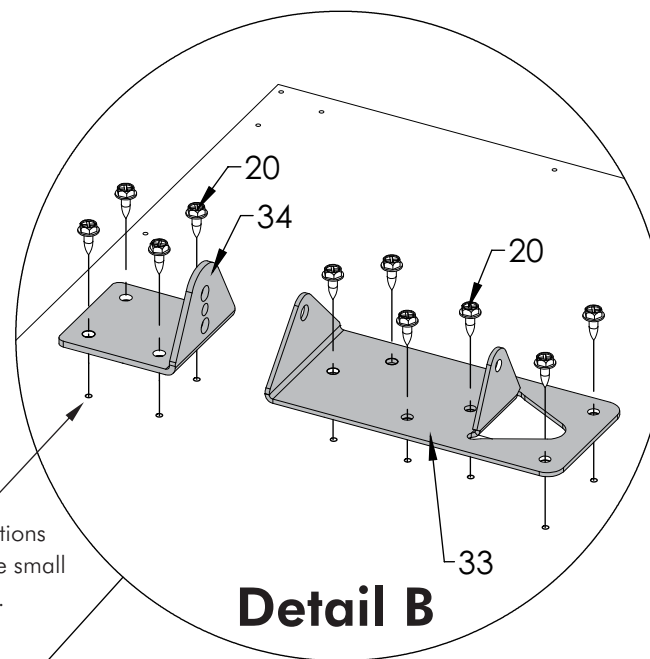
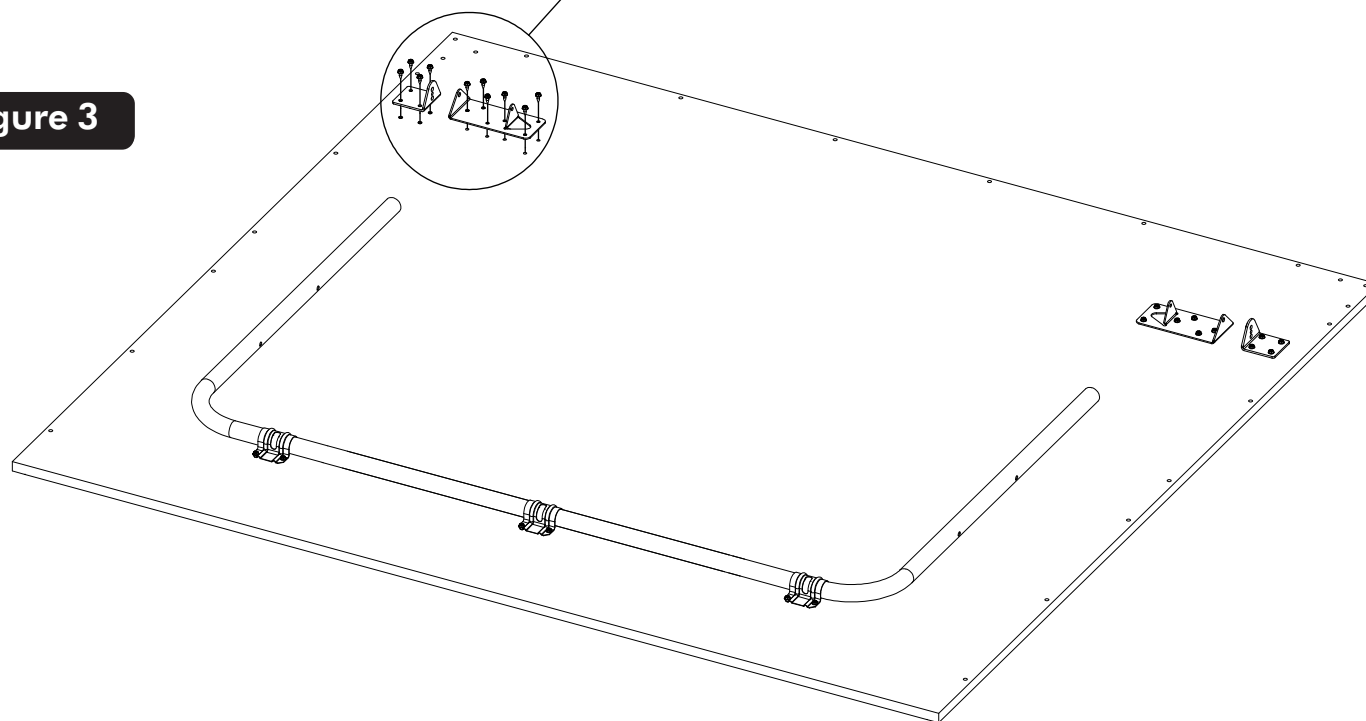
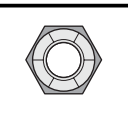
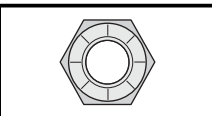
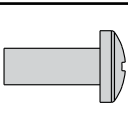
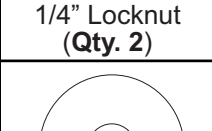
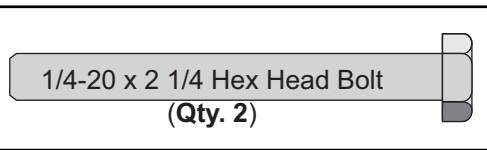


Figure 3



Hardware Needed

16	#10-24 X 1/2 Phillips Locknut (Qty. 2)		15	 1/4" Locknut (Qty. 2)
37	#10-24 X 1/2 Phillips Pan Head Screw (Qty. 2)		24	 Plastic Washer (Qty. 4)
38	 1/4-20 x 2 1/4 Hex Head Bolt (Qty. 2)			

5. Attach Legs (#2) to Mounting Bracket (#34) with Hex Bolt (#38), two Plastic Washers (#24) and Locknut (#15). Attach leg brace to Leg Mounting Bracket (#33) with Phillips Head Screw (#37) and Locknut (#16) as shown in **Detail C**.

6. Attach Leg Plugs (#13) to bottom of the Legs (#2) as shown in **Figure 4**.

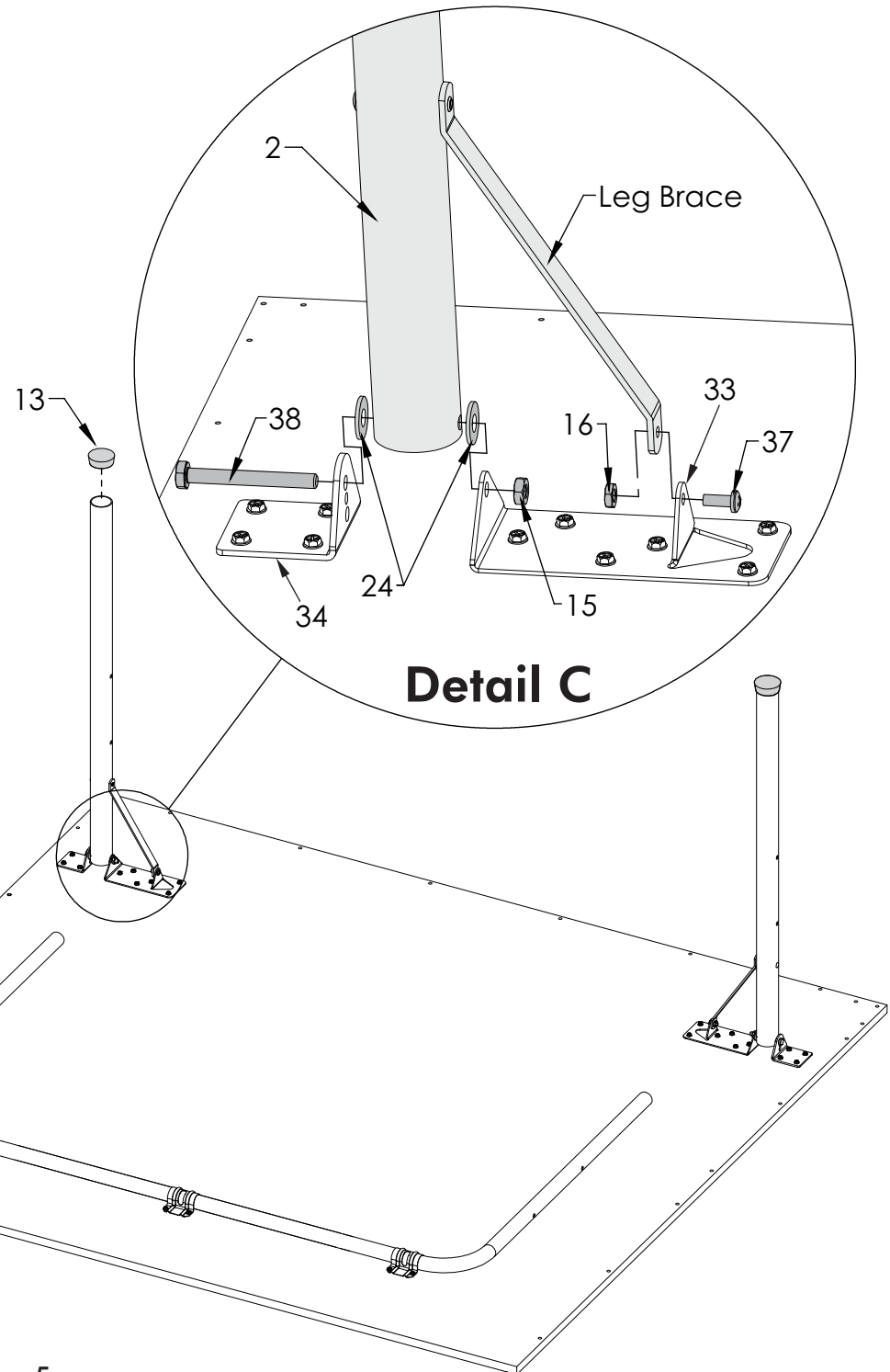


Figure 4

Note: To aid in assembly use a cordless drill and Phillips bit, but be careful to not strip the screws. **Wear safety glasses for Step 7.**

Note: Rotate U-Support #7 until you see the screw hole in the slot of U-clip #3. Slide U-support #7 side to side and front to back if necessary.


7. Insert Screw #19 through slot in U-Clip #3 and into U-Support #7. Thread it all the way into U-Support #7 until it touches the back of the tube. There should be about 3/8 inch of screw #19 left sticking out. **Do not** insert screw #19 in middle #3 U-Clip. See **Figure 5 & Detail D.**

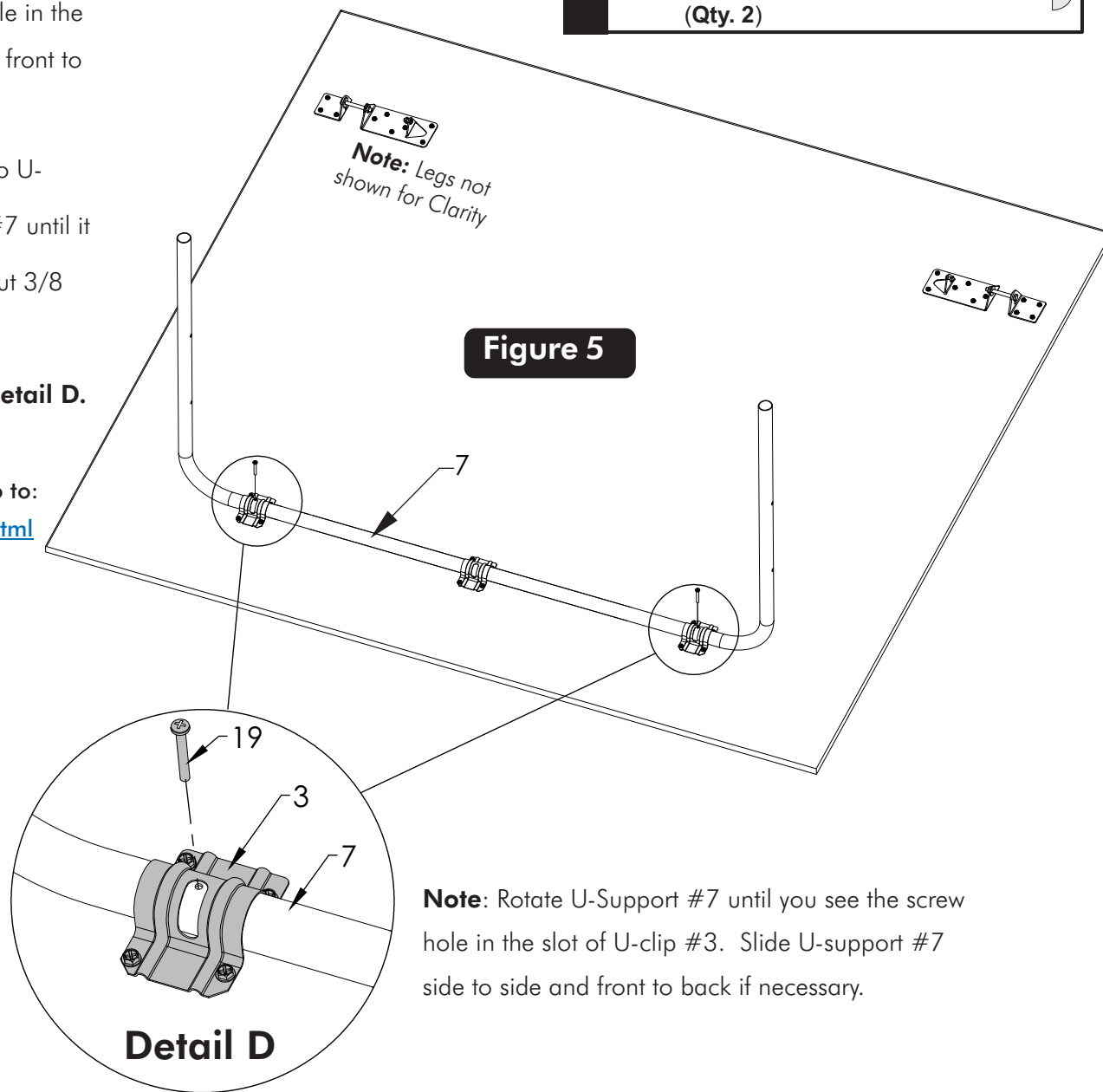
If you want to see a video on how to insert Screw (#19) go to:
<http://www.escaladesports.com/customer-service/videos.html>

Or
Scan with your smartphone:

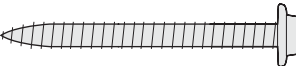
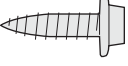


Hardware Needed

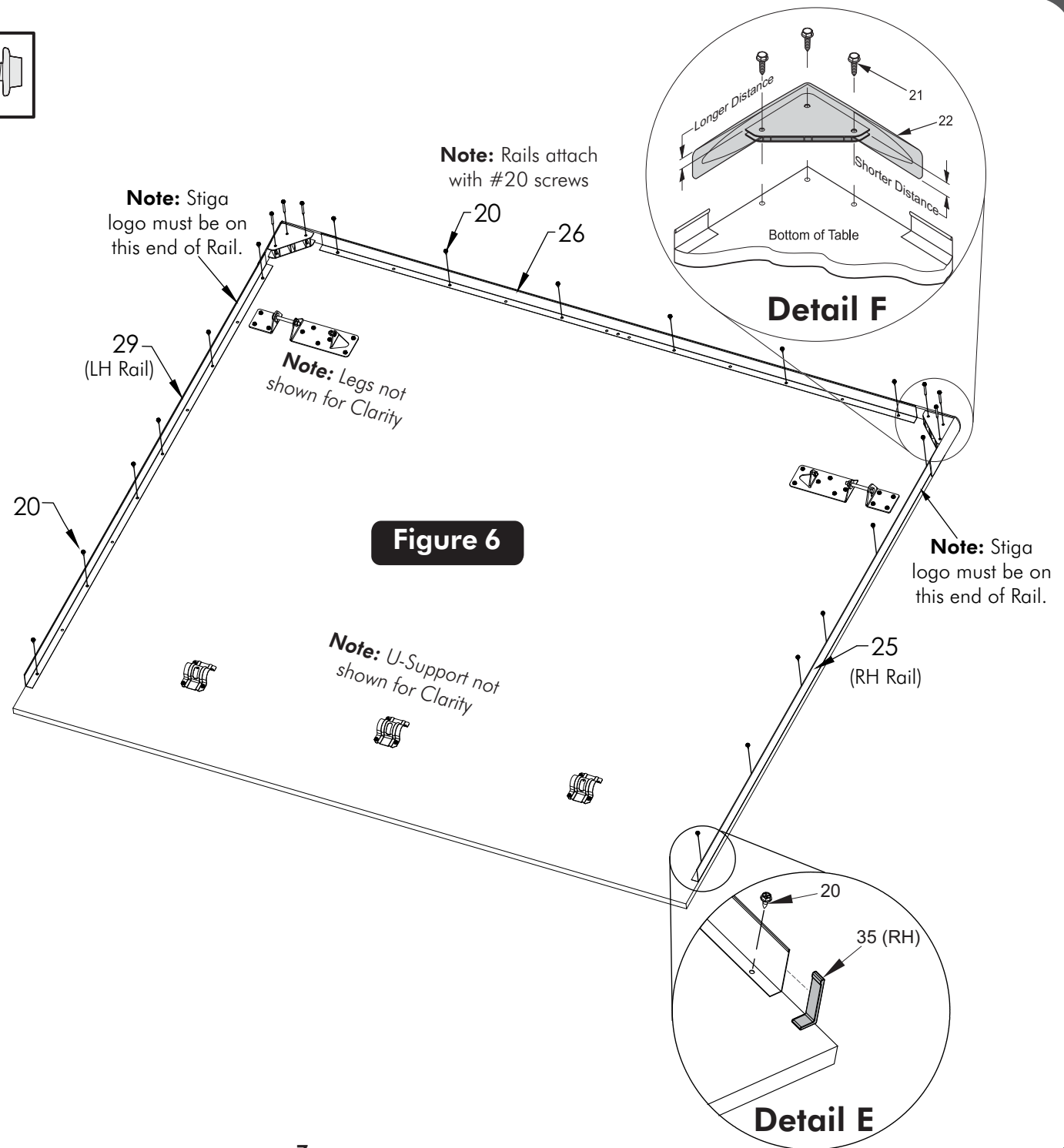
19	#8-32 X 1 1/4	
	Phillips Head Screw (Qty. 2)	

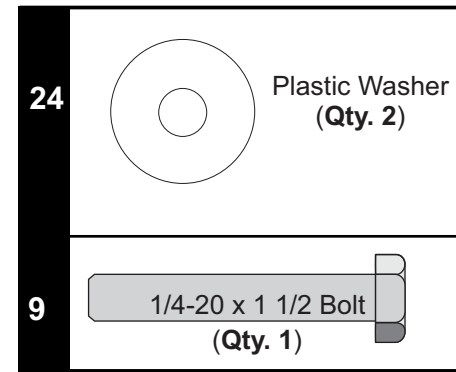
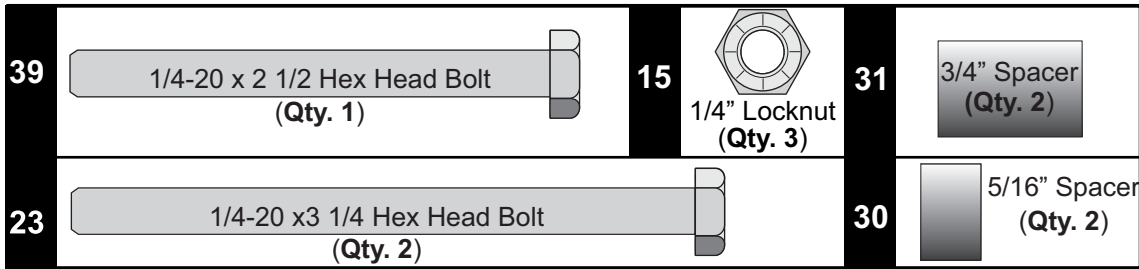


Hardware Needed

21	#8 x 1 7/16 Sheet Metal Screw (Qty. 6)	
20	#8 x 7/16 Sheet Metal Screw (Qty. 18)	

8. Lay out Right Side Rails #25, Left Side Rails #29 and End Rails #26, around edges of table top as shown in **Figure 5**.
9. Slide Left #36 and Right #35 Vinyl End Caps onto the ends of the Side Rails #25 & 29 as shown in **Detail E**.
10. Line up holes in rails with indentations in top and secure using **eighteen** screws #20. See **Figure 5 & Detail E**.
11. Lay Corner Caps #22 on table as shown in **Figure 5**. If Corner Cap sticks above the table top surface of the table, flip over so shorter distance is against edge. Secure to bottom of table with three Screws #21. See **Detail F**.





12. Attach end of linkages #4 with two holes to **INSIDE** of Leg #2 as shown in **Detail G & Detail H**. Secure through end hole with screws #23, locknuts #15 and plastic spacers #31. Tighten hardware snug enough to keep table stable but do not overtighten. Tubes must pivot freely.

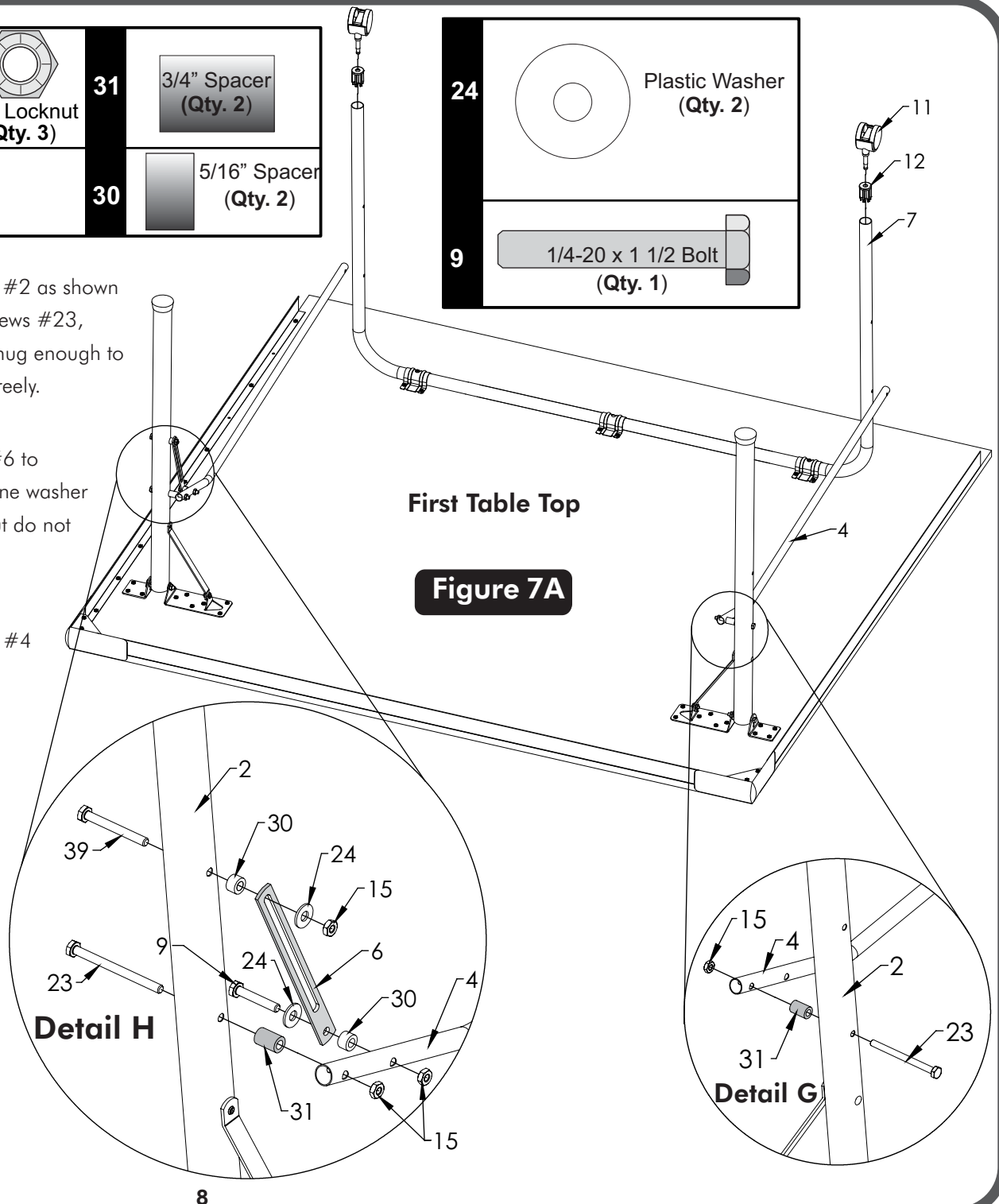
13. On one side of the table attach slotted end of safety strap #6 to **INSIDE** of Leg #2 using one bolt #39, one spacer #30, one washer #24, and one hex nut #15. Tighten hardware until snug but do not overtighten. Tubes must pivot freely. See **Detail H**.

14. Attach other end of safety strap #6 to **OUTSIDE** of linkage #4 using one bolt #9, one washer #24, one spacer #30, and one hex nut #15 as shown in **Detail H**.

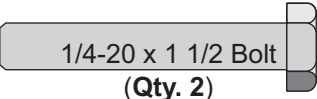
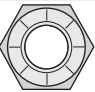
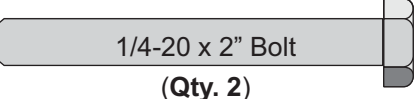
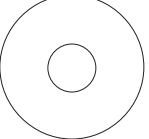
Important! Do NOT put other safety strap #6 on this table half. It will be installed on second table half later.

15. Gently tap caster sockets #12 into U-support #7 until flange on sockets touches the edge of the tube. **DO NOT HIT CASTER SOCKET DIRECTLY WITH A HAMMER! SET A PIECE OF WOOD ON CASTER SOCKET AND HIT PIECE OF WOOD TO DRIVE CASTER SOCKET INTO U-SUPPORT.**

16. Insert casters #11 into caster sockets #12.
See **Figure 7A**.



Hardware Needed

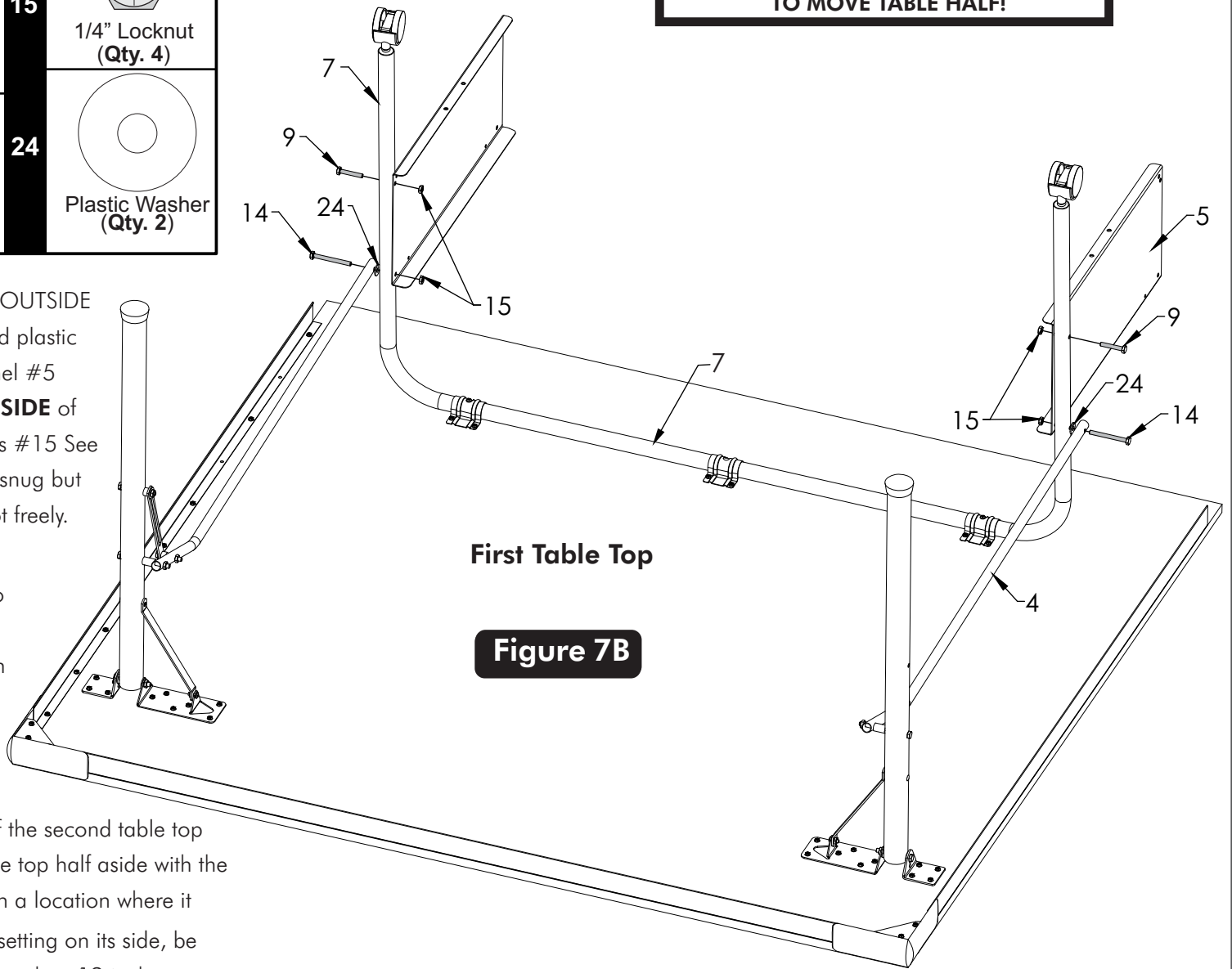
9	 1/4-20 x 1 1/2 Bolt (Qty. 2)	15	 1/4" Locknut (Qty. 4)
14	 1/4-20 x 2" Bolt (Qty. 2)	24	 Plastic Washer (Qty. 2)

CAUTION:
 AT LEAST TWO ADULTS ARE NEEDED
 TO MOVE TABLE HALF!

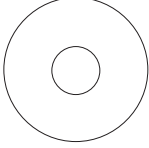
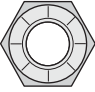
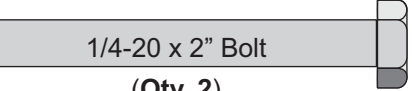
17. Attach other end of linkages #4 to OUTSIDE of U-support #7 with bolts #14 and plastic washers #24. Then slide name panel #5 onto the same bolts #14 on the **INSIDE** of U-support #7. Secure with lock nuts #15 See **Figure 7B**. Tighten hardware until snug but do not overtighten. Tubes must pivot freely.

18. Attach bottom of name panel #5 to U-supports #7. Secure with hex bolts #9 and locknuts #15. Tighten nuts but be careful not to crush tubes. See **Figure 7B**.

19. Prepare an area for the assembly of the second table top half. If necessary, move the first table top half aside with the aid of a helper. Be sure to place it in a location where it won't be disturbed or damaged. If setting on its side, be sure to place the bottom edge no less than 12 inches away from the wall. Also be sure to place carpet or pieces of the shipping carton down to protect table top edges. If floor is not carpeted, brace table top half with a heavy object to keep it from sliding.



Hardware Needed

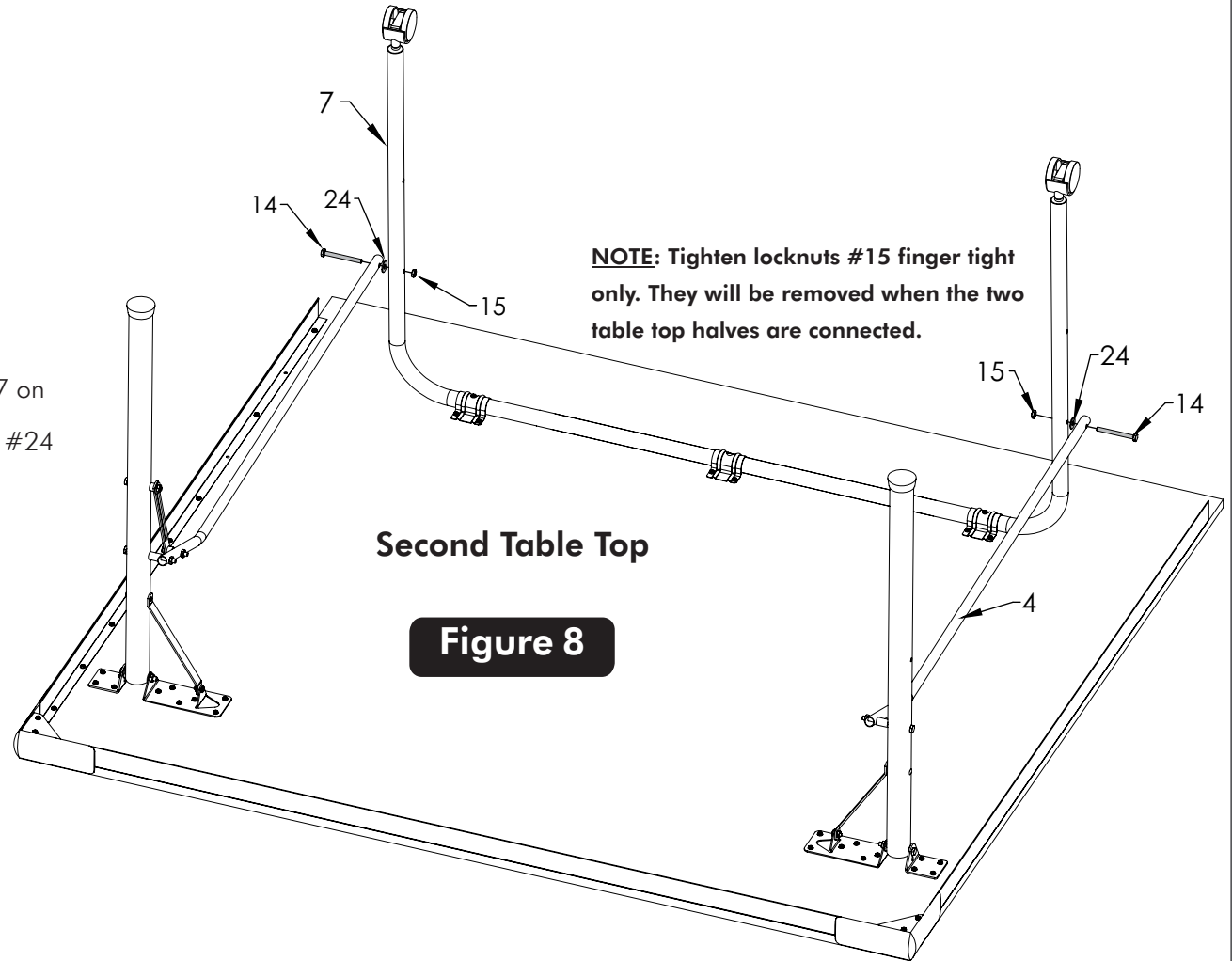
24		15	
	Plastic Washer (Qty. 2)		1/4" Locknut (Qty. 2)
14			
	1/4-20 x 2" Bolt (Qty. 2)		

CAUTION:
AT LEAST TWO ADULTS ARE NEEDED
TO MOVE TABLE HALF!

20. Repeat steps from 1-16 on second half.

21. Attach linkages #4 to the OUTSIDE of U-support #7 on **second table half**. Use Bolts #14, plastic washers #24 and hex nuts #15. See **Figure 8**.

NOTE: Tighten locknuts #15 finger tight only. They will be removed when the two table top halves are connected.



NOTE: Tighten locknuts #15 finger tight only. They will be removed when the two table top halves are connected.

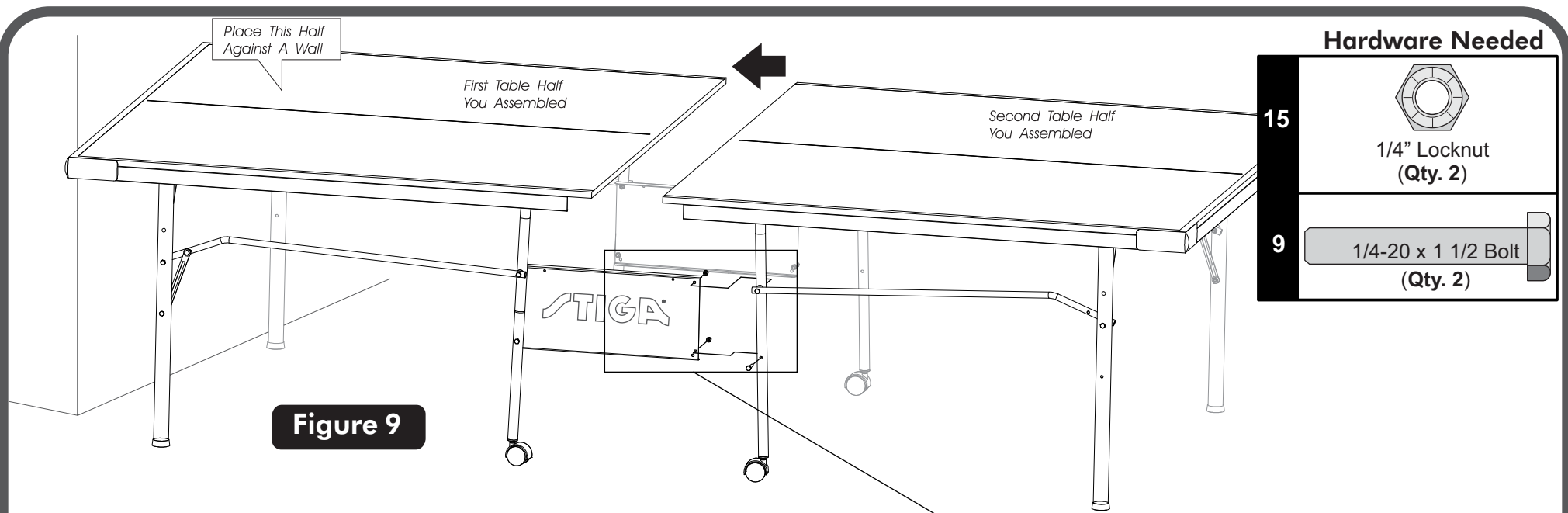
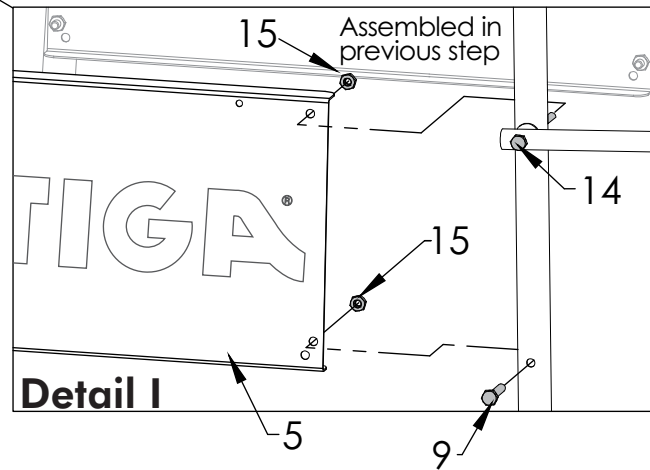


Figure 9

22. Make sure the legs on the first table top half (the half with the name panel #5) are open. With one person on each side of the table, lift and set table half on its legs. Place table against a wall as shown above to help stabilize table top half while second half is being attached. Be sure there is enough room to connect second half as shown in **Figure 9**.

CAUTION:
BE SURE THE FIRST TABLE HALF YOU ASSEMBLED (WITH NAME PANELS #5 ATTACHED) IS STABLE AND AGAINST A WALL. DO NOT LEAVE TABLE HALF STANDING UNATTENDED.

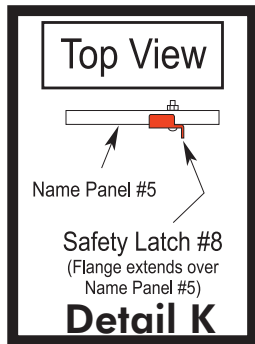
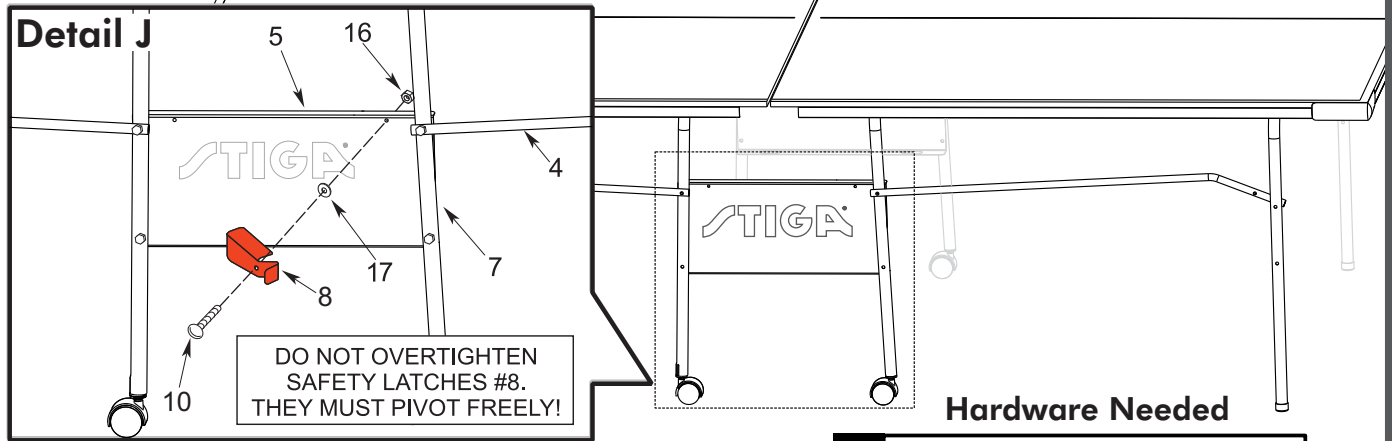


23. Place a hex bolt #9 and a locknut #15 on floor next to caster wheels (on both sides of the table half) so they will be handy for the next step. See **Detail I**.

CAUTION: UNTIL THE TABLE HALVES ARE CONNECTED THEY WILL NOT STAND ON THEIR OWN. IT IS RECOMMENDED TO HAVE THREE PEOPLE TO CONNECT TABLE HALVES. TWO TO STABILIZE TABLE AND ONE TO BOLT TABLE TOGETHER.

24. With a person on both sides of the second table half, slide the second table half against the first table half. Remove locknuts #15 from screws #14 on second table half where U-support #7 and linkages #4 join. Align holes in name panels #5 (on first table half) with holes in U-supports (on second table half). Secure second table half to top hole in name panel #5 using hex bolt #14 installed earlier and locknuts just removed. Secure second table half to bottom hole in name panel #5 with the two hex bolts #9 and locknuts #15 you placed on the floor earlier. Tighten locknuts snug but do not overtighten. These joints must pivot. At this point go back and tighten hex bolts #9.

Figure 10



Hardware Needed		
16	#10-24 Lock Nut (Qty. 2)	
17	#10 Flat Washer (Qty. 2)	
10	#10-24 X 3/4 Round Head Screw (Qty. 2)	

CAUTION: INSTALL SAFETY LATCHES #8 AS SHOWN ABOVE FOR PROPER USE OF TABLE! DO NOT SKIP THIS STEP! DO NOT OPERATE TABLE UNTIL SAFETY LATCHES ARE INSTALLED AND ASSEMBLY IS COMPLETE!

- Choose a name panel #5 on either side of the table and install one safety latch #8 into the right-hand hole on that name panel as shown in **Figures 10, 11 & Detail J**. Use one screw #10 one washer #17 and one hex nut #16. **NOTE: Flange on safety latch must extend over top of name panel as shown in Detail K. Safety latch must pivot freely.**
- Go to the other side of the table and install the second safety latch into the right-hand hole on the other name panel #5. **NOTE: Safety latches must be attached diagonally across from each other. See Figure 11.**

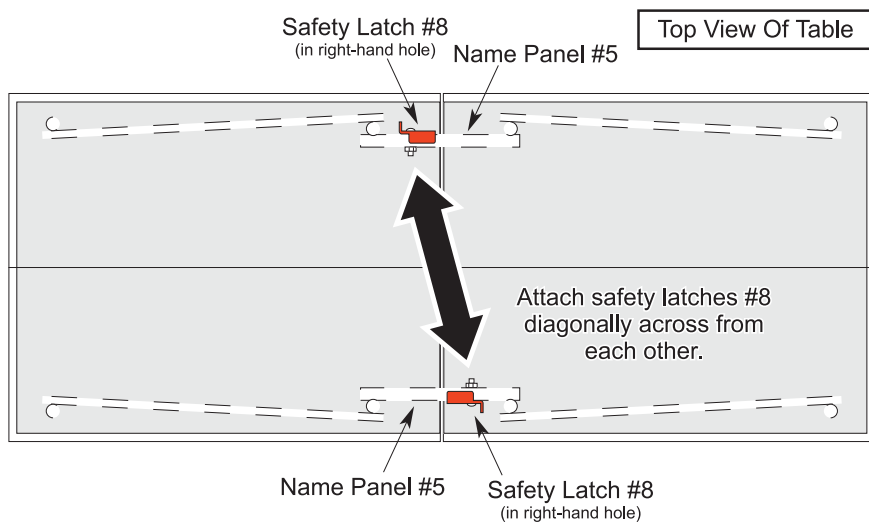
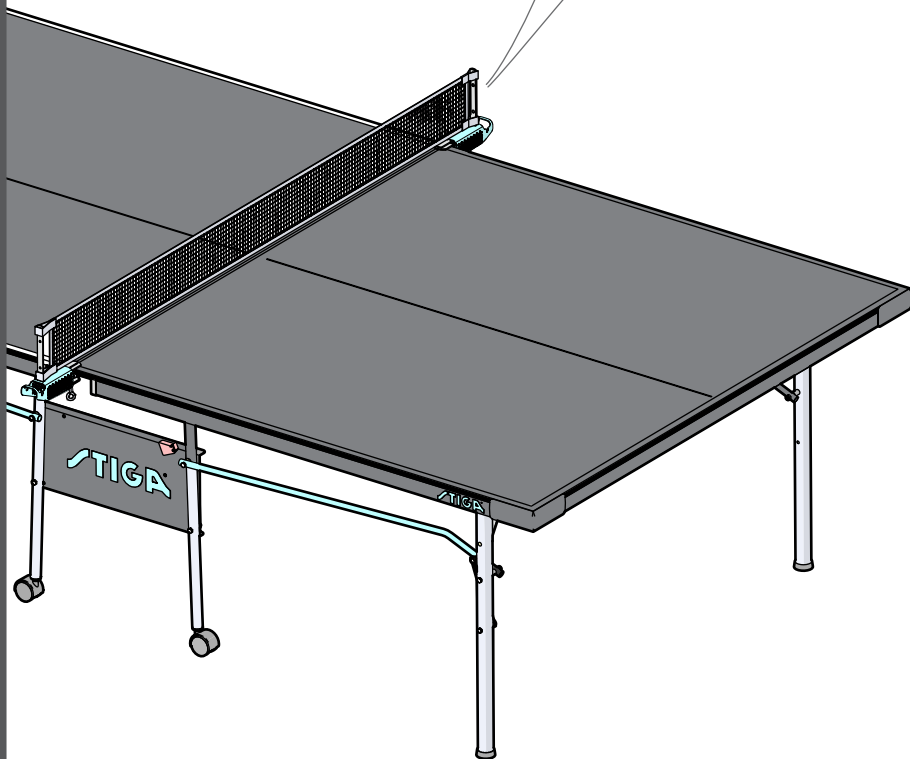
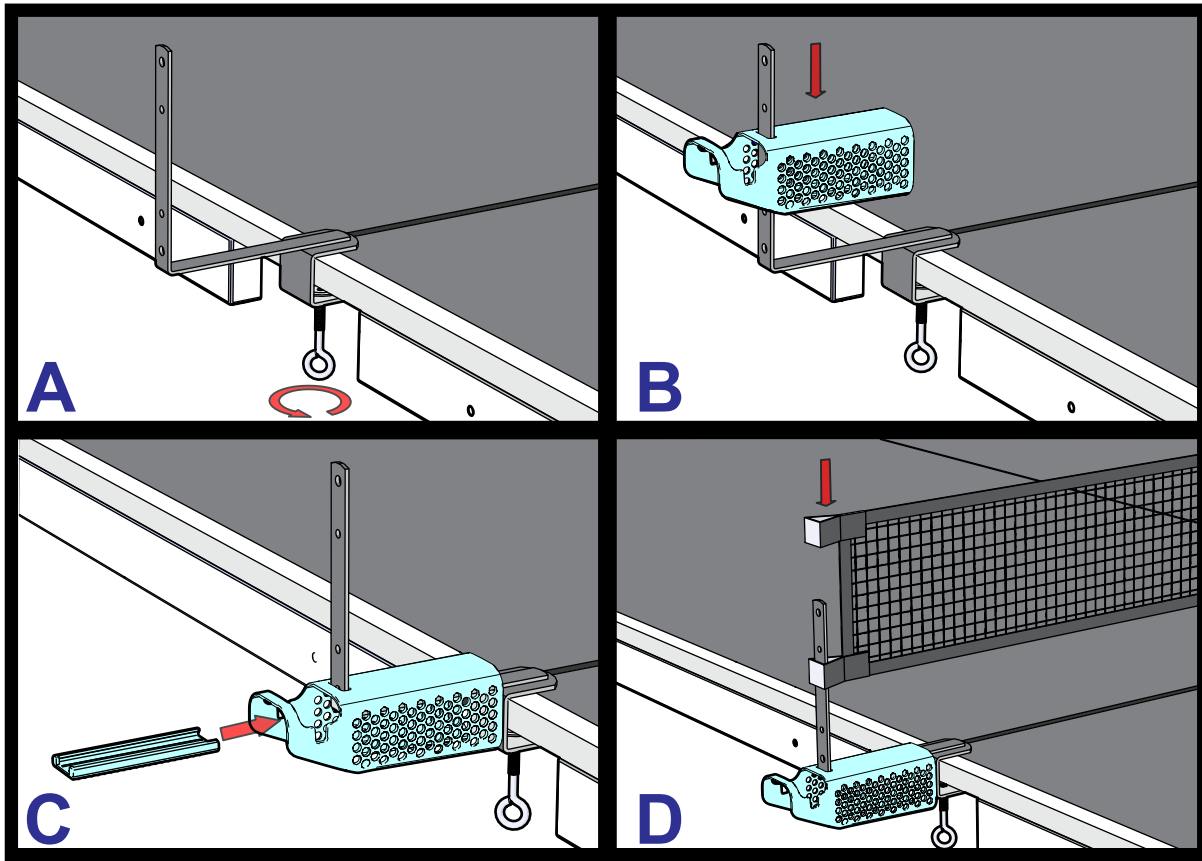


Figure 11



27. Secure net posts to center of table by turning the screw on net posts as shown in picture **A**.
28. Slide Paddle Holder onto net post as shown in picture **B**.
29. Insert "Slide Lock" into Paddle Holder channel. See Picture **C**. Repeat Steps 27-29 for other net post.
30. Slide net down over posts. See Picture **D**. Note: Adjust Velcro Straps on one end of net for proper tension.

OPENING AND CLOSING INSTRUCTIONS

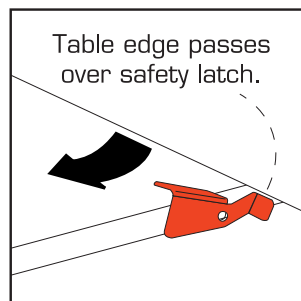
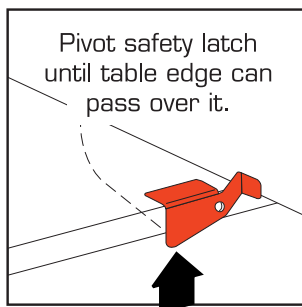
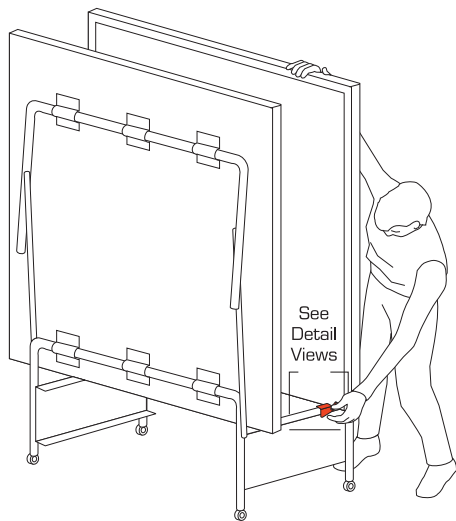


CAUTION:

READ OPERATING INSTRUCTIONS CAREFULLY BEFORE OPERATING TABLE! DO NOT ALLOW CHILDREN TO OPEN TABLE! DO NOT CLIMB, STAND OR JUMP ON TABLE! SERIOUS OR FATAL INJURY MAY RESULT! THIS IS NOT A TOY! TABLE IS TO BE OPENED OR CLOSED BY ADULTS ONLY! FAILURE TO COMPLY WITH OPENING AND CLOSING INSTRUCTIONS COULD RESULT IN PERSONAL INJURY OR PROPERTY DAMAGE.

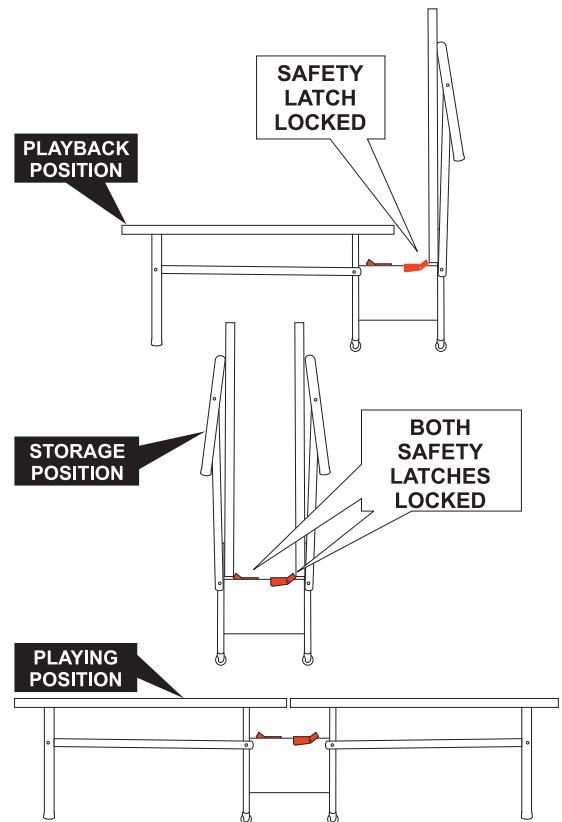
TO OPEN:

1. Stand behind the table near the safety latch.
2. Hold table half with one hand and pivot safety latch enough to allow the edge of the table half to pass over it.
3. While keeping an eye on the safety latch, pivot table half until it moves past the safety latch. Once edge of table has passed over safety latch, stop pivoting table half.
4. With both hands on the table half, center yourself along the table half and lower the table half to the floor.
5. Repeat for the other table half.



TO CLOSE:

1. Remove net and posts from the table.
2. Lift table half upward and inward to vertical position.
3. Check to be sure that table half is locked in the safety latch.
4. Repeat for the other table half.



CAUTION:

THIS IS A GAME TABLE. DO NOT SIT, STAND, LEAN, WALK OR JUMP ON TABLE! FAILURE TO COMPLY WITH THIS CAUTION COULD RESULT IN PERSONAL INJURY AND/OR PROPERTY DAMAGE!

90 DAY LIMITED WARRANTY

This consumer warranty extends to the original consumer purchase of any ESCALADE® SPORTS Product (hereinafter referred as the "Product").

WARRANTY DURATION: This Product is warranted to the original consumer purchase of a period of ninety (90) days from the original purchase.

WARRANTY COVERAGE: ESCALADE SPORTS warrants to the original Consumer Purchaser that any Product of its manufacture is free from defects in material and workmanship when used for the intended purpose under normal use and conditions. THIS WARRANTY IS VOID IF THE PRODUCT HAS BEEN DAMAGED BY ACCIDENT, UNREASONABLE USE, NEGLIGENCE, IMPROPER SERVICE, FAILURE TO FOLLOW INSTRUCTIONS PROVIDED WITH THE PRODUCT OR OTHER CAUSES NOT ARISING OUT OF DEFECTS IN MATERIAL AND WORKMANSHIP.

WARRANTY PERFORMANCE: During the above ninety (90) day warranty period, ESCALADE SPORTS shall repair or replace with a comparable model, and Product, or component thereof, which may prove defective under normal use and proper care, and which our examination shall disclose to our satisfaction to be thus defective, please contact our Warranty Dept.

1-866-873-3528 / Warranty Dept.

Or Write us at:

Escalade® Sports, Inc. - P.O. Box 889, Evansville, IN 47706 - Attn: Warranty Dept.

Or E-mail us at:

customerservice@escaladesports.com

Other than shipping requirements no charge will be made for such repair or replacement of in-warranty Products. ESCALADE® SPORTS strongly recommends that the Product is insured for value prior to mailing.

WARRANTY DISCLAIMERS: ANY IMPLIED WARRANTIES ARISING OUT OF THIS SALE, INCLUDING BUT NOT LIMITED TO THE IMPLIED WARRANTIES OF MERCHANTABILITY AND FITNESS FOR A PARTICULAR PURPOSE, ARE LIMITED IN DURATION TO THE ABOVE NINETY (90) DAY WARRANTY PERIOD. ESCALADE® SPORTS SHALL NOT BE LIABLE FOR LOSS OF USE OF THE PRODUCT OR OTHER CONSEQUENTIAL OR INCIDENTAL COSTS, EXPENSES OR DAMAGES INCURRED BY THE CONSUMER OF ANY OTHER USE.

Some states do not allow the exclusion or limitation of implied warranties or consequential or incidental damages, so the above limitations or exclusions may not apply to you.

LEGAL REMEDIES: This warranty gives you specific legal rights and you may also have other rights which may vary from state to state.

CARE AND MAINTENANCE

You have purchased a quality product that will give you years of enjoyment. By following these simple maintenance steps, you will add to the life of your new table.

THE TABLE TOP

The top (playing surface) of your table is made of particle board. Like all products made of wood, it can be affected by atmospheric changes in both temperature and humidity. This may cause a slight sag or distortion as the top expands or contracts. This is normal and should not cause concern as it does not detract from the play or utility value of the table. After assembly of the table, you can minimize the effects of temperature and humidity changes by storing the table in the folded up position in a dry area when table is not in use.

STORAGE OF YOUR TABLE

This table must be stored indoors to prevent damage to the playing surface. Dampness and extreme temperature changes can cause the wood to warp, swell, crack or blister. When your table is not in use, it should be folded up in a dry area. Due to the nature of particle board, table top may bow. Damp and humid conditions will amplify this. This is normal and will not affect playability of table.

CLEANING YOUR TABLE

To clean your table use a soft, damp (NOT WET) cloth only. To prevent damage to your table's playing surface, DO NOT USE ANY CHEMICALS, ABRASIVE OR CLEANING PRODUCTS on your table's playing surface.

MAINTENANCE OF YOUR TABLE

Be sure to oil all moving parts of your table including the pivot points. This will insure the safety and ease of use of your table.


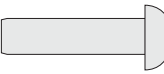
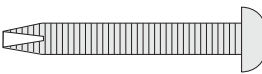

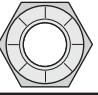


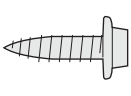


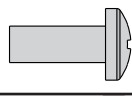
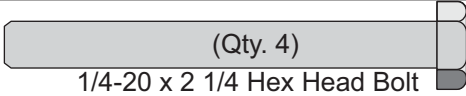
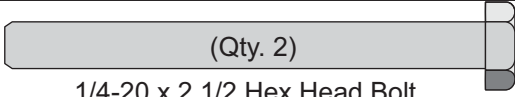
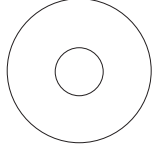
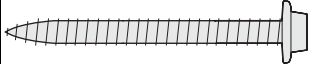
This table must be kept indoors to prevent damage to the playing surface. Dampness and extreme temperature changes which occur on patios or similar areas can cause wood to warp, swell, crack or blister.

UNEVEL FLOORS

If table does not seem level, it is probably due to uneven or unlevel floors. Set the table in its PLAYING POSITION and move table several inches in different directions to find the best location for the table. If the floor is extremely unlevel, table may not play or operate properly. If table is high in the center, shim up under the outer U-legs.

HARDWARE IDENTIFIER

KEY NO.

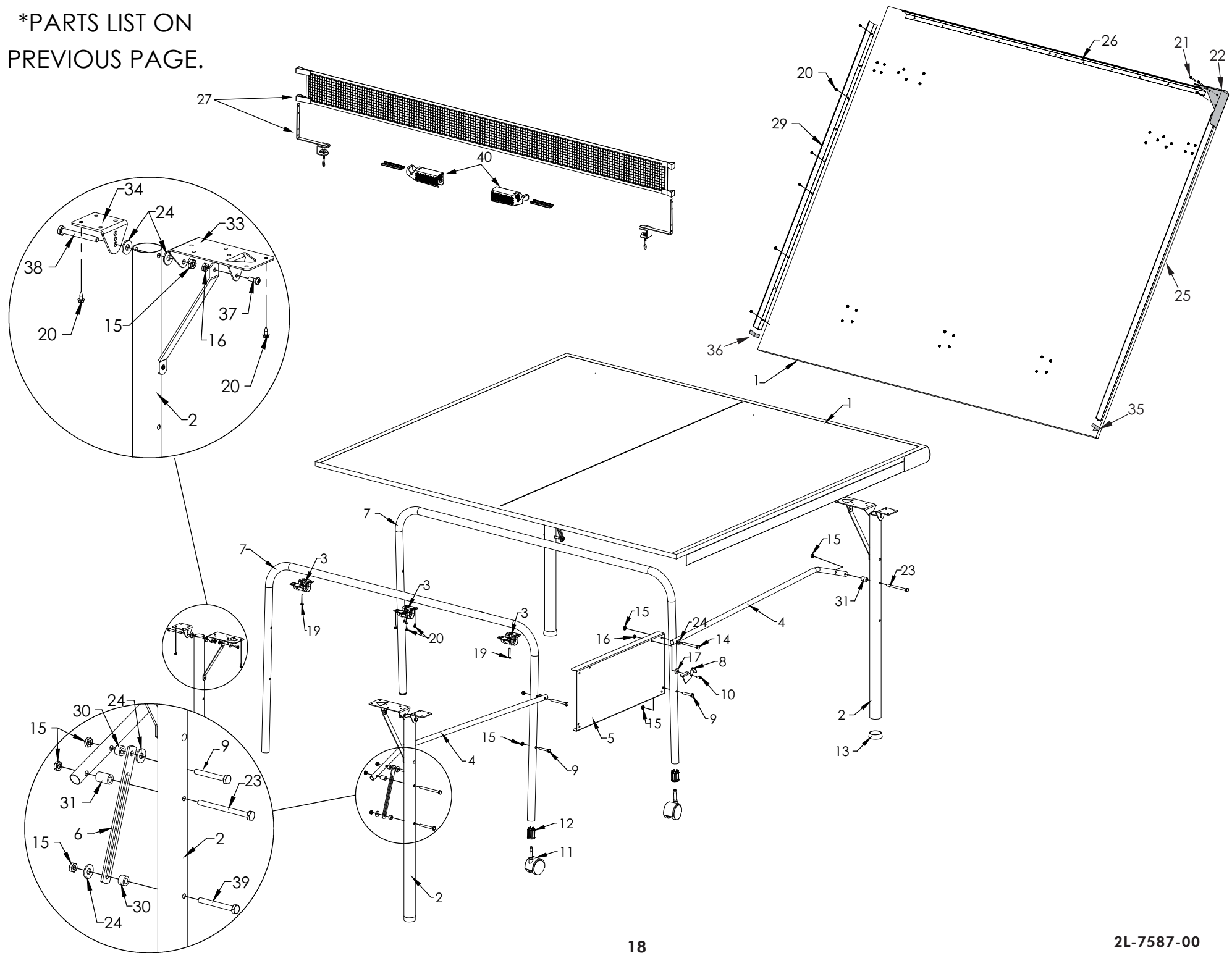
9	1/4-20 x 1-1/2 Hex Hd. Bolt (Qty. 6)		Not Used			
10	#10-24 x 3/4 Rd. Hd. Screw (Qty. 2)		19	#8-32 x 1-1/4 S.M.S. (Qty. 4)		
14	1/4-20 x 2 Hex Hd. Bolt (Qty. 4)		23	(Qty. 4) 1/4-20 x 3 1/4 Hex Head Bolt		
15	1/4-20 Zinc Locknut (Qty. 20)		16	#10-24 Locknut (Qty. 6)		
17	#10 Flat Washer (Qty. 2)		20	#8 X 7/16 Sheet Metal Screw (Qty. 100)		
30	5/16" Spacer (Qty. 4)		31	3/4" Spacer (Qty. 4)		
Not Used		Not Used		37	#10-24 X 1/2 Phillips Pan Head Screw (Qty. 4)	
Not Used		Not Used		38	(Qty. 4) 1/4-20 x 2 1/4 Hex Head Bolt	
Not Used		Not Used		39	(Qty. 2) 1/4-20 x 2 1/2 Hex Head Bolt	
Not Used		Not Used		21	Plastic Washer (Qty. 16)	
Not Used		Not Used		24	#8 x 1 7/16 Sheet Metal Screw (Qty. 12)	

PRODUCT PARTS LIST - T8723

Key #	Part#	Description	Qty.
1	4A-7981-00	Table Top - 1/2"	2
2	1A-7894-00	Leg & Brace Assembly	4
3	2S-6879-10	1" U-Clip	6
4	8S-6758-04	Linkage - Blue	4
5	2S-6422-23	Name Panel	2
6	2S-6428-01	Safety Strap	2
7	8S-6606-05	U-Support	2
8	2S-6264-04	Safety Latch	2
9	WB-1094-00	1/4-20 x 1 1/2 Hex Head Bolt	6
10	1B-4049-01	#10-24 x 3/4 Phillips Round Hd. Screw	2
11	2Q-6084-00	2" Caster	4
12	3M-6115-00	Caster Socket	4
13	4C-0201-00	Leg Cap - 1 1/2 OD	4
14	WB-1110-00	1/4-20 x 2 Hex Head Bolt	4
15	WN-1008-99	1/4-20 Locknut	20
16	WB-1007-99	#10-24 Locknut	6
17	2N-0214-99	#10 Flat Washer	2
18	NOT USED		
19	1B-4089-00	#8-32 x 1 1/4" Sheet Metal Screw	4
20	1B-6451-00	#8 x 7/16 Sheet Metal Screw	100
21	1B-6951-00	#8 x 1 7/16" Sheet Metal Screw	12
22	5A-4229-02	Corner Cap - Black	4
23	1B-6477-00	1/4-20 x 3 1/4" Hex Head Bolt	4
24	2B-6087-00	Plastic washer	16
25	2S-4616-11	RH Side Rail - White	2
26	2S-4615-10	End Rail- White	2
27	5A-7964-00	Net & Posts Kit	1
28	2L-7587-00	Owners Manual - T8723	1
29	2S-4616-12	LH Side Rail - White	2
30	7B-6257-00	5/16" Spacer	4
31	7B-6256-99	3/4" Spacer	4
32	NOT USED		
33	2S-6343-00	Leg Mounting Bracket - 1"	4
34	2S-4597-01	Mounting Bracket	4
35	3M-4156-00	1 1/2" Vinyl End Cap (Right Hand)	2
36	3M-4157-00	1 1/2" Vinyl End Cap (Left Hand)	2
37	1B-4138-00	#10-24 x 1/2 Phil. Pan Hd. Screw	4
38	WB-1075-00	1/4-20 X 2 1/4" Hex Head Bolt	4
39	1B-4137-00	1/4-20 x 2 1/2" Hex Head Bolt	2
40	3M-8973-02	Paddle/ball Holder Set - Blue	1

*PARTS IDENTIFIER ON NEXT PAGE.

*PARTS LIST ON
PREVIOUS PAGE.





Play The Best[®]

MESA DE TENIS
NÚMERO DE MODELÓ
T8723

MANUAL DEL USUARIO

1. **Lea este manual cuidadosamente antes de empezar a ensamblar.** Lea completamente cada uno de los pasos antes de empezar cada paso.
2. **Algunas partes pequeñas pueden ser empacadas dentro de las partes grandes. Verifique en el interior de todas las partes y cartones antes de ensamblar o solicitar partes.**
3. **Para que el ensamblado le sea más fácil, utilice la lista de partes de la página 16 para la identificación y clasificación de las partes y sus componentes. Busque los juegos de tornillos en todos los cartones. Todos los tornillos y sus componentes no se encuentren en un sólo juego.**
4. **No ajuste las partes hasta que las instrucciones se lo indiquen.** Si las partes se ajustan antes de lo indicado, es posible que los orificios no queden alineados, resultando que las partes queden fuera de su lugar y fácilmente no coincidan. Deje las tuercas de seguridad levemente flojas hasta que las instrucciones le indiquen ajustarlas.
5. **Herramientas necesarias:** Desarmador Phillips, una llave de 3/8" y dos llaves de 7/16" (Puede utilizar una llave ajustable también).
6. **Un destornillador eléctrico, puede resultarle muy útil para armar la mesa.** Sin embargo, debe usarlo en potencia baja y tener mucho cuidado de no ajustar en exceso y dañar la mesa con los tornillos.
7. **Guarde estas instrucciones y recibo de pago en el evento que el fabricante deba de ser contactado para partes de remplazo.**

Por favor no devuelva este producto a la tienda!

Contacte al departamento de servicio al cliente de Escalade[®] Sports:

Teléfono: 1-866-873-3528 ¡Sin costo alguno!

Fax: 1-866-873-3533 ¡Sin costo alguno!

E-mail: tabletennis@escaladesports.com

Apartado postal (sólo para correspondencia):

Escalade Sports

PO Box 889

Evansville, IN 47706

Visite nuestra página Web internacional: www.escaladesports.com

SOLUCIÓN DE PROBLEMAS POR INTERNET

ASISTENCIA TÉCNICA

PEDIDO DE PARTES POR INTERNET

PREGUNTAS FRECUENTES

MÁS INFORMACIÓN SOBRE PRODUCTOS DE ESCALADE[®] SPORTS

ESCALADE[®]
S P O R T S

2L-7587-00

Escalade[®] Sports products may be manufactured and/or licensed under the following patents.
6120397, 5816957, 5769744, 5119741, 4911085, 4717157, D460140, D420563

Additional patents may be pending. One or more of the listed patents and/or pending patents may cover specific product.

©2014 Escalade[®] Sports

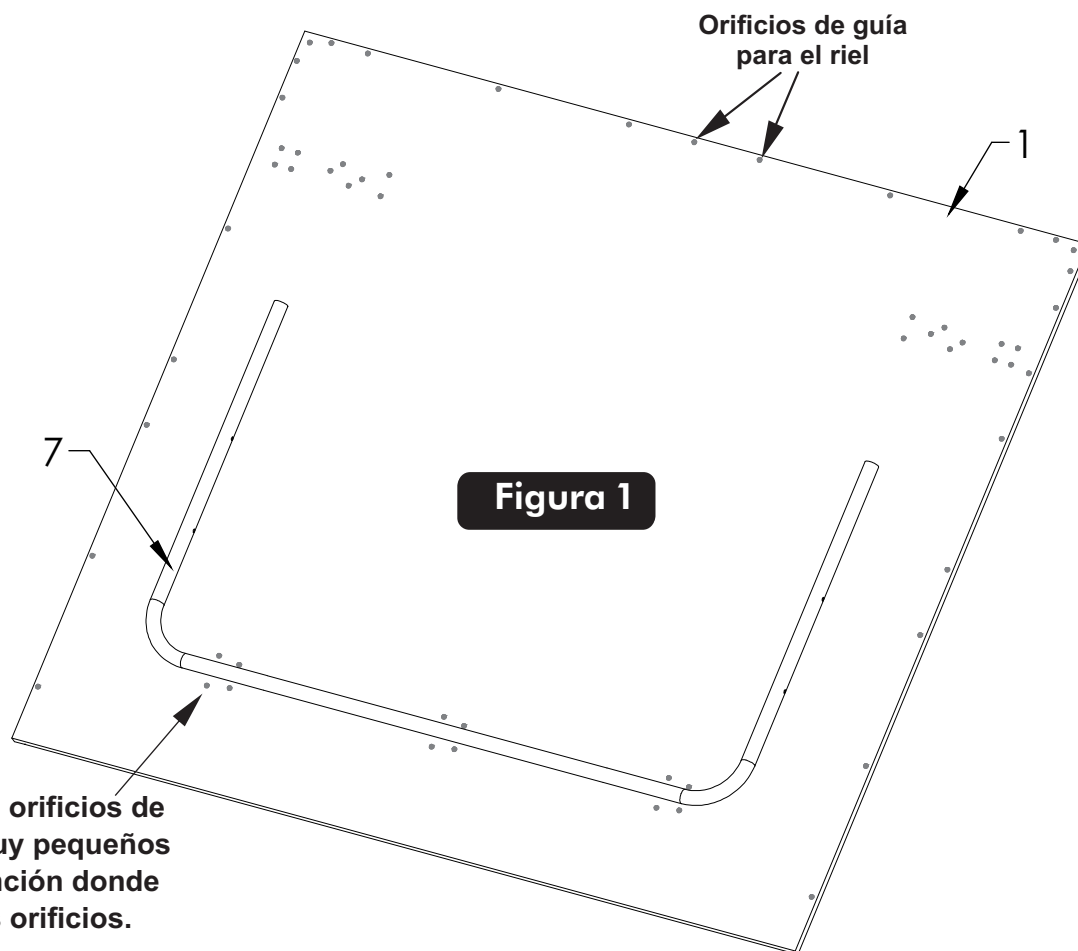


- A. **Un destornillador eléctrico, puede resultarle muy útil para armar la mesa.** Sin embargo, debe usarlo en potencia baja y tener mucho cuidado de no ajustar en exceso y dañar la mesa con los tornillos.
- B. **Los orificios de guía son muy pequeños, ponga atención cuando instale las partes.**
- C. **La superficie de la mesa se puede poner sobre de dos caballetes de carpintería.** Aunque esto hará más fácil ensamblar la mesa, no es necesario para que pueda completar el ensamblado. Siempre utilice los cartones del empaque donde venía la mesa, para proteger la superficie de la mesa pintada.

PRECAUCIÓN: Asegúrese de que el tablero de la mesa esté seguro sobre los caballetes y **NUNCA** deje la mesa sola.

Para identificar los tornillos y tuercas. Vea la lista de las partes en la página 16.

1. Coloque el tablero #1 sobre una superficie plana y lisa con el lado pintado hacia abajo. Use la caja en donde venía la mesa para proteger la pintura de la superficie de la mesa.
2. Alinie el Soporte en U (#7) en la mesa como está mostrado en la **Figura 1**.



⚠️ ADVERTENCIA:

CUANDO ENSAMBLE LA MESA, ES EXTREMADAMENTE IMPORTANTE QUE LAS ABRAZADERAS "U" (#3) ESTÉN PUESTAS COMO ESTÁN MOSTRADAS. SI LÍAS ABRAZADERAS "U" ESTÁN COLOCADAS INCORRECTAMENTE, USTED LE OCASIONARA DAÑOS IRREPARABLES A SU MESA CUANDO TRATE DE ABRIRLA EN LA POSICIÓN DE JUEGO.

3. Alinee los orificios de las abrazaderas en "U" #3 con los orificios pequeños que están de guía en el tablero y atornillelos con doce tornillos #20. Los cuatro orificios en cada abrazadera en U #3 **deben de estar alineados** con los cuatro orificios en el Tablero. Vea la **Figura 2** y el **Detalle A**.

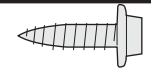
Si desea ver un vídeo de como poner la abrazadera en "U" vaya a:
<http://www.escaladesports.com/customer-service/videos.html>

○ escanear con su teléfono inteligente



Orificios de guía
para el riel

Necesita:



20

#8 x 7/16
Tornillo para madera
(Cant. 12)

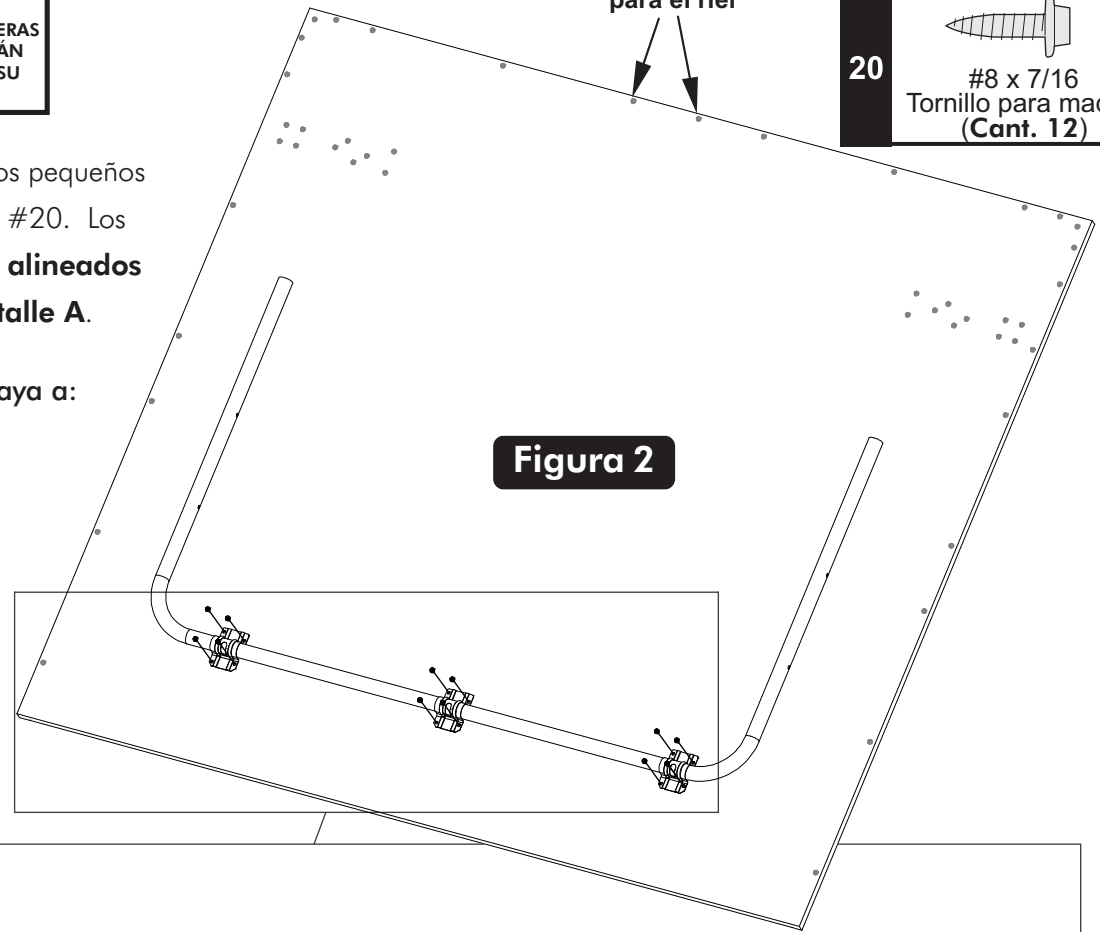
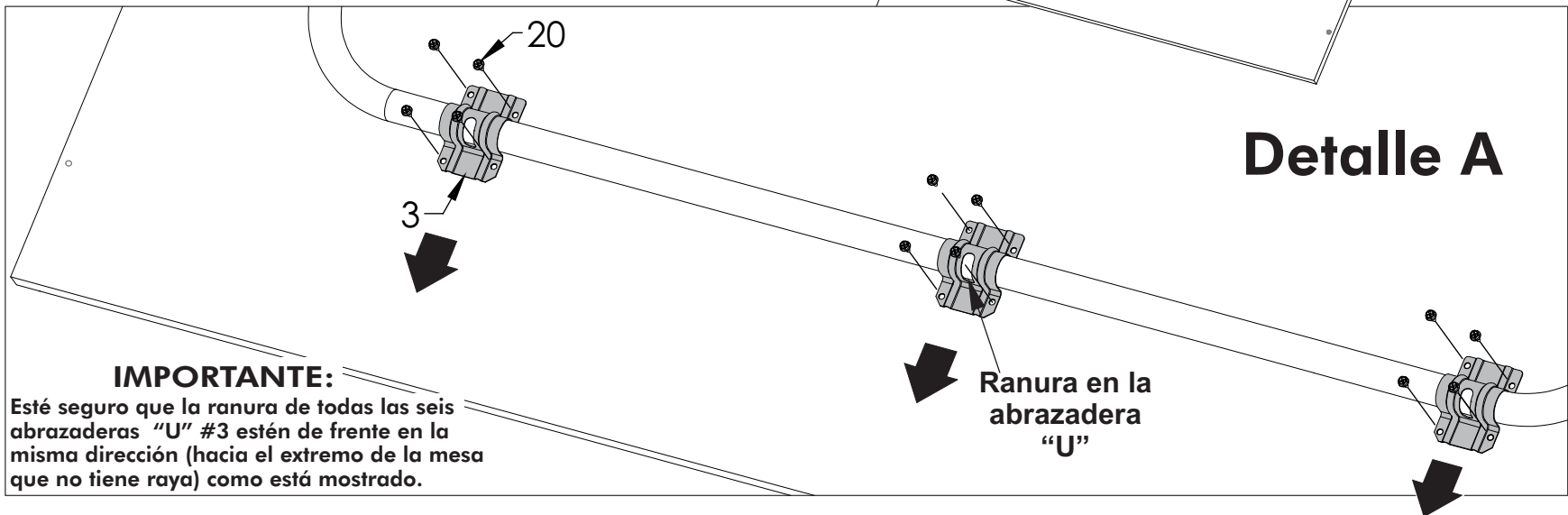


Figura 2



Detalle A

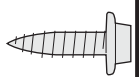
IMPORTANTE:

Esté seguro que la ranura de todas las seis abrazaderas "U" #3 estén de frente en la misma dirección (hacia el extremo de la mesa que no tiene raya) como está mostrado.

Ranura en la
abrazadera
"U"

Necesita:

20 #8 x 7/16
Tornillo para madera
(Cant. 20)



4. Aline los orificios de los soportes de montaje #33 y #34 con los orificios de guía en el tablero e inserte los tornillos #20 como se muestra. Todos los orificios en los Soportes #33 y #34 **deben de alinearse con los orificios** en el tablero. Vea la **Figura 3** y el **Detalle B**.

NOTA: Los orificios de guía son muy pequeños ponga atención donde están los orificios.

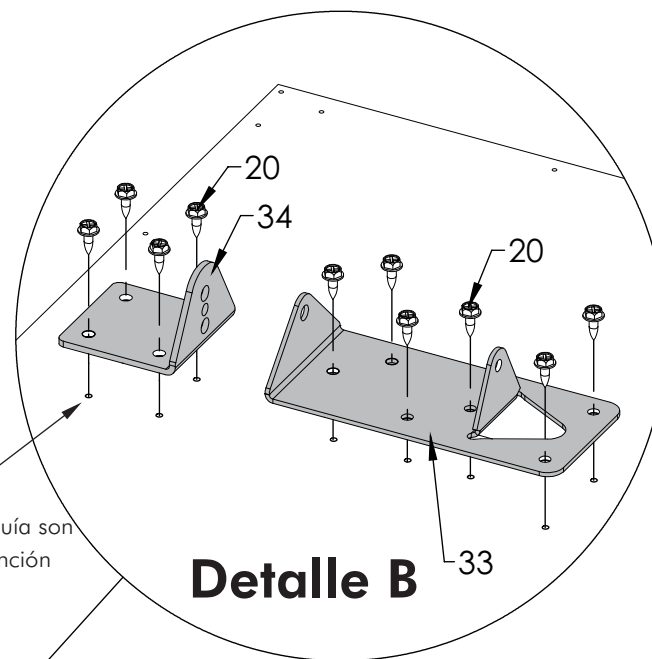
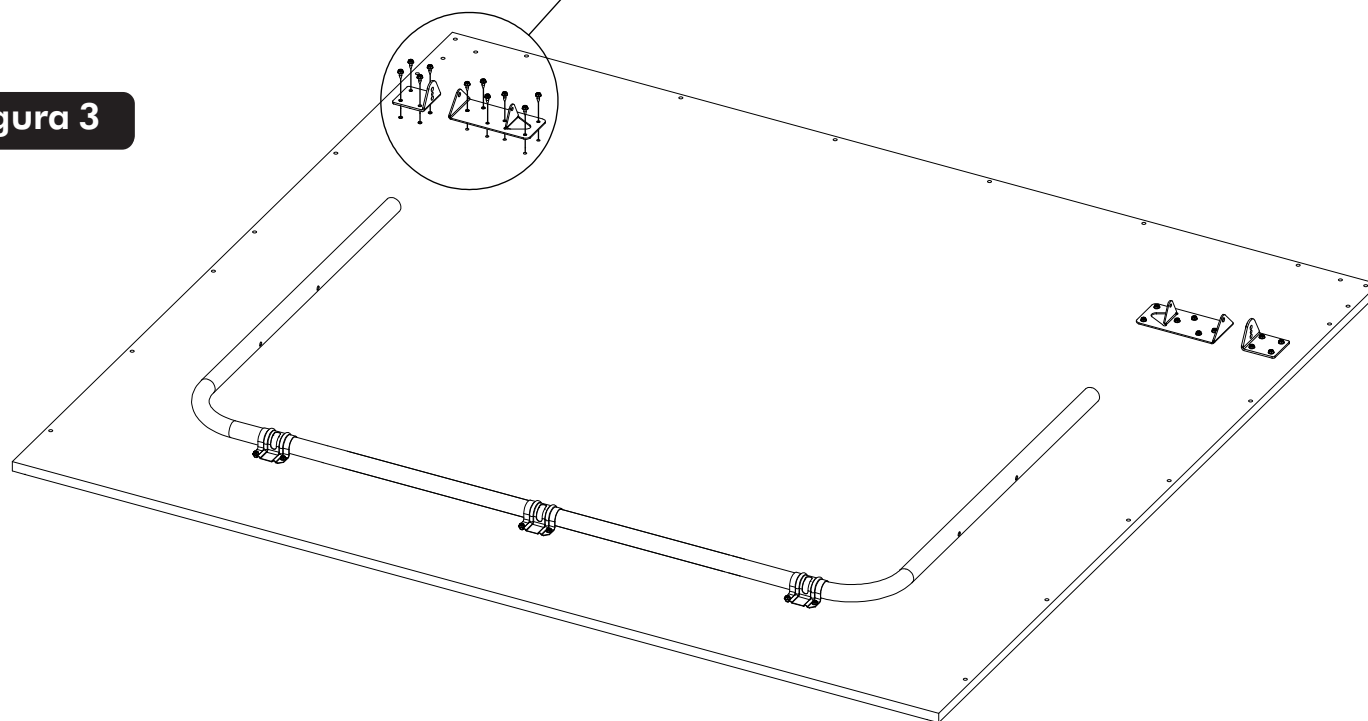

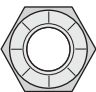

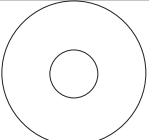
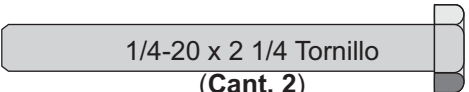


Figura 3



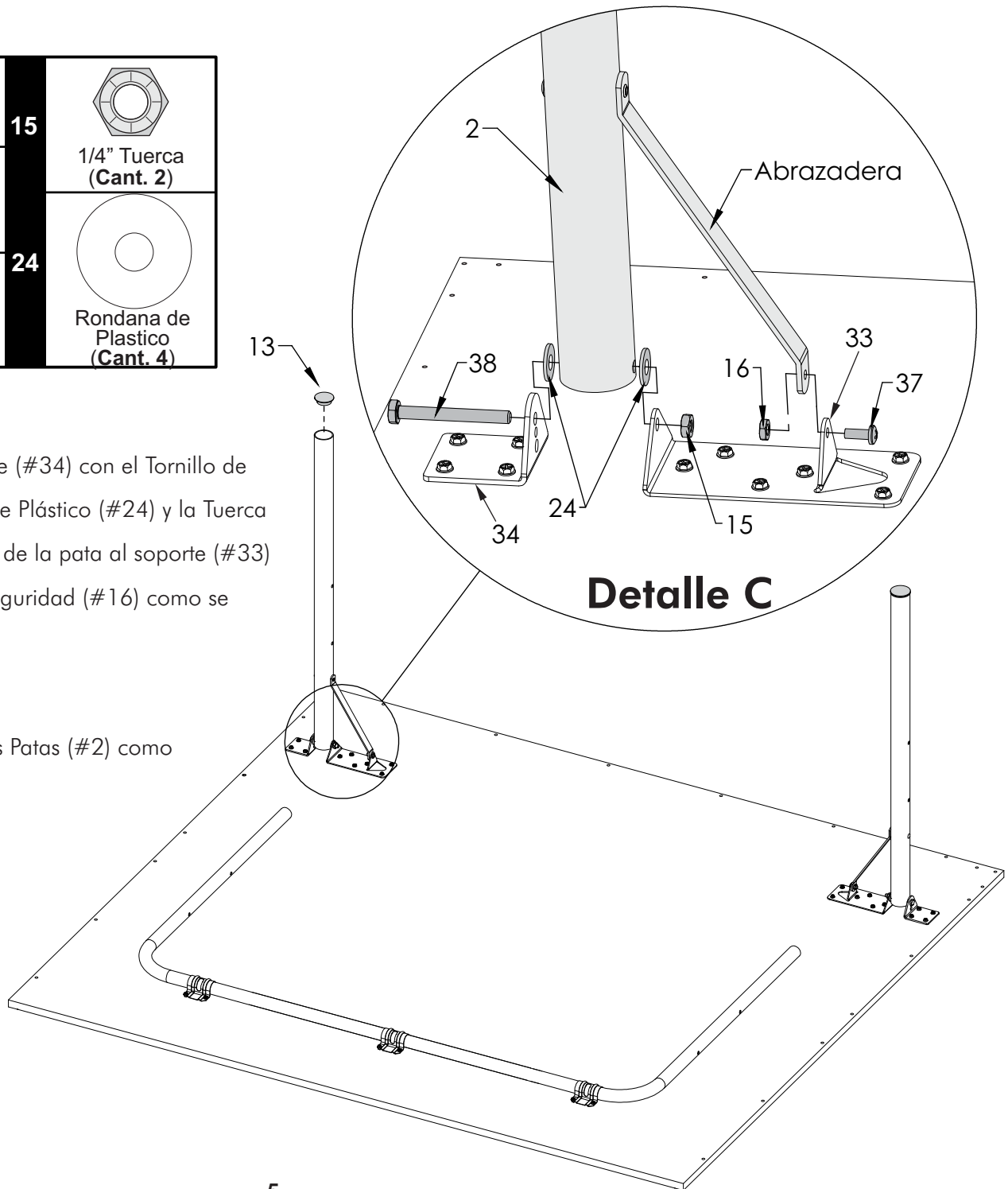
Necesita:

16	#10-24 X 1/2 Tuerca (Cant. 2)		15		1/4" Tuerca (Cant. 2)
37	#10-24 X 1/2 Tornillo Phillips (Cant. 2)		24		Rondana de Plastico (Cant. 4)
38	1/4-20 x 2 1/4 Tornillo (Cant. 2)				

5. Instale las patas (#2) al Soporte de Montaje (#34) con el Tornillo de Cabeza Hexagonal (#38), dos Rondanas de Plástico (#24) y la Tuerca de Seguridad (#15). Instale la abrazadera de la pata al soporte (#33) con el Tornillo Phillips (#37) y Tuerca de Seguridad (#16) como se muestra en el **Detalle C**.

6. Inserte los Tapones de las patas (#13) a las Patas (#2) como se muestra en la **Figura 4**.

Figura 4



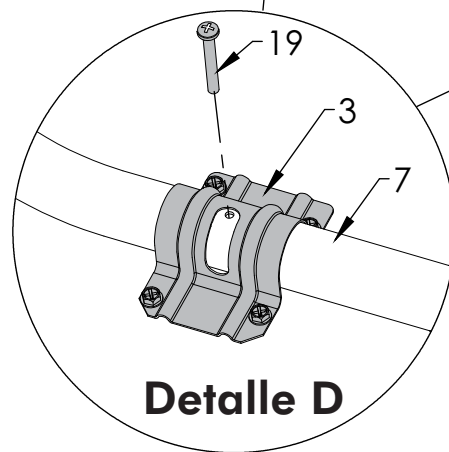
Nota: Use anteojos de seguridad para el **Paso 7**.

Nota: Rote el soporte en forma de U #7 hasta que se vean los orificios a través de las ranuras de las abrazaderas en U #3 donde van los tornillos. Si es necesario deslice el soporte en forma de U #7 de lado a lado para ver los orificios.

7. Inserte el tornillo #19 a través de las ranuras de la abrazadera "U" #3 y dentro del soporte en forma de U #7. Atornillelo al soporte en U hasta que toque el fondo del tubo. El tornillo #19 debe sobresalir acerca de $\frac{3}{8}$ de pulgada. **No** inserte el tornillo #19 a la abrazadera de en medio. Vea el **Detalle D**.

Si desea ver un video de como insertar el Tornillo (#19) vaya a:
<http://www.escaladesports.com/customer-service/videos.html>

O escanear con su teléfono inteligente

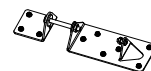


Detalle D

Necesita:

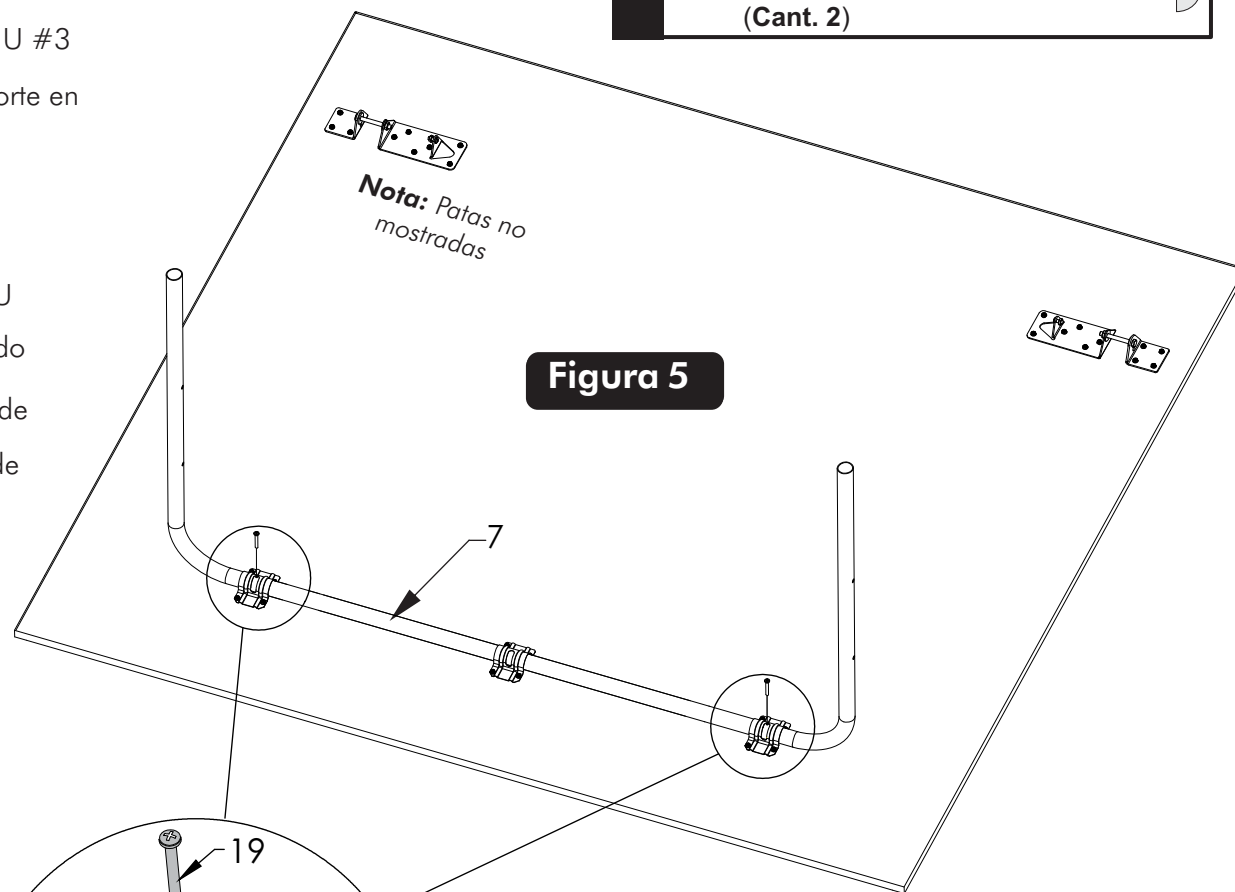
19

#8-32 X 1 1/4
Tornillo Phillips
(Cant. 2)



Nota: Patas no mostradas

Figura 5



Nota: Rote el soporte en forma de U #7 hasta que se vean los orificios a través de las ranuras de las abrazaderas en U #3 donde van los tornillos. Si es necesario deslice el soporte en forma de U #7 de lado a lado para ver los orificios.

Necesita:

21 #8 x 1 7/16
Tornillo para madera
(Cant. 6)

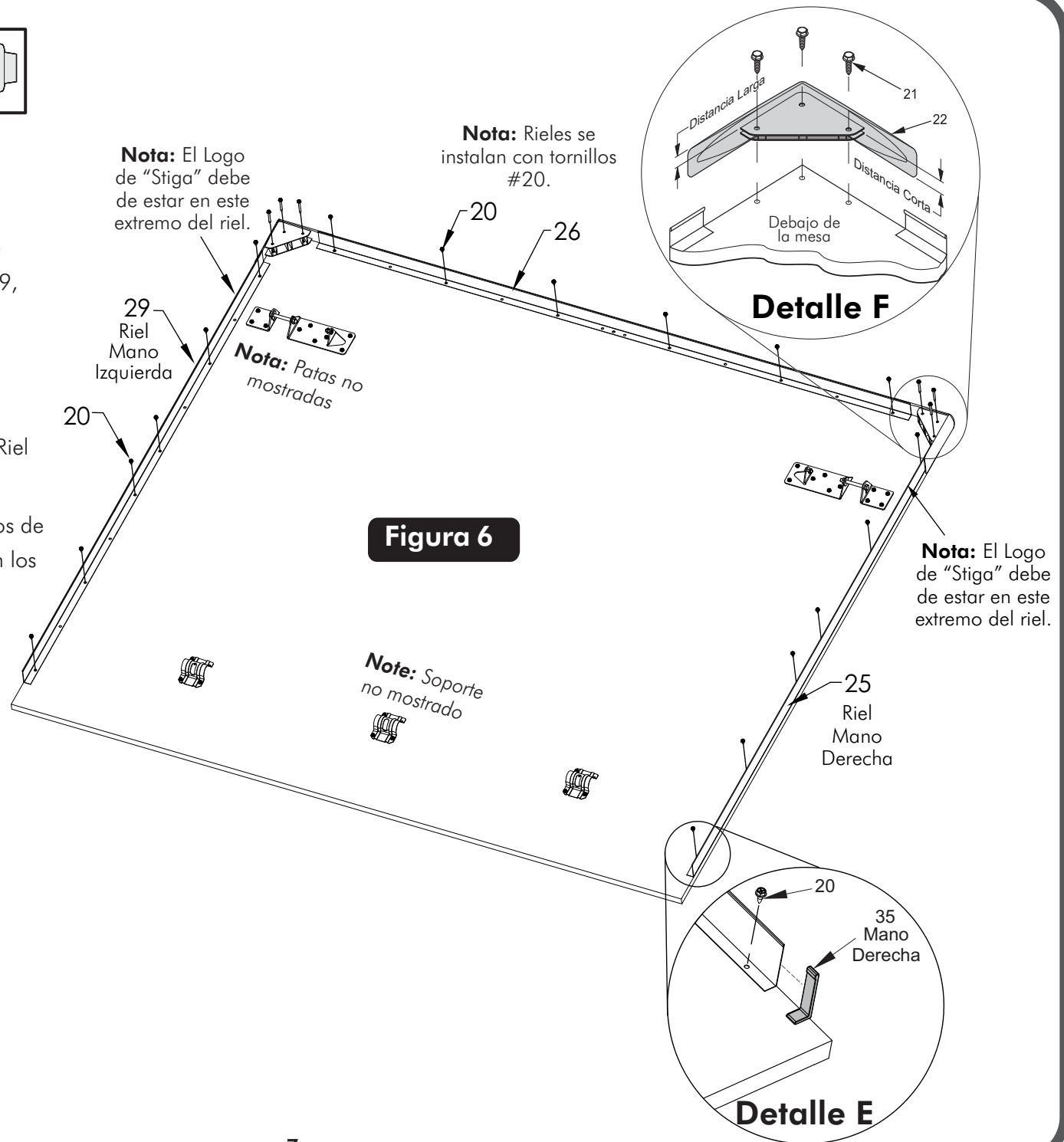
20 #8 x 7/16
Tornillo para madera
(Cant. 18)

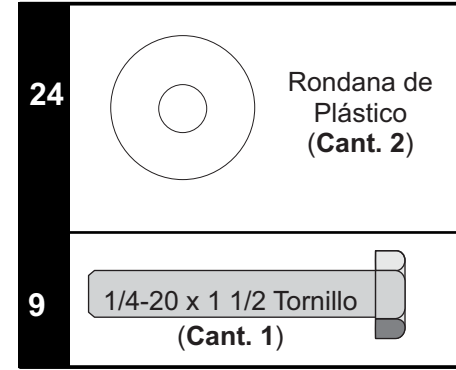
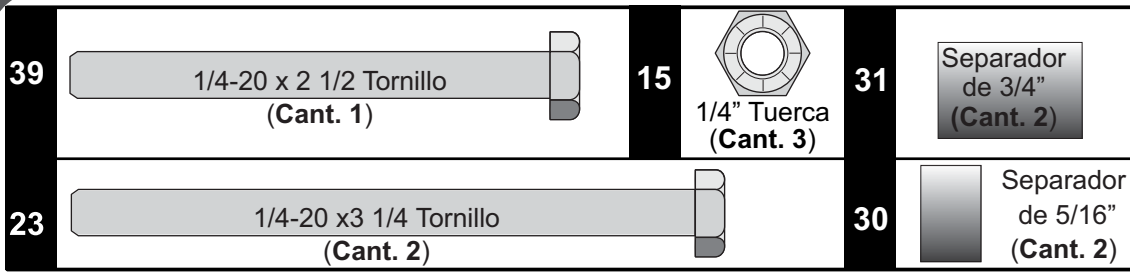
8. Coloque los rieles de mano derecha #25, de mano izquierda #26 y el riel del Extremo #29, alrededor de los bordes del tablero, como están mostrados en la **Figura 6**.

9. Deslice las Tapas de Riel (de mano izquierda #36 y derecha #35) en el extremo de cada Riel #25 y 29 como se muestra en el **Detalle E**.

10. Alinie los orificios de los rieles con los orificios de guía del tablero, atornillelos y asegúrelos con los **dieciocho** tornillos #20. Vea la **Figura 6** y **Detalle E**.

11. Coloque los Protectores de Esquina #22 al tablero como están mostrados en la **Figura 6**. Si el protector de la esquina sobresale de la superficie del tablero, volteélo así que la parte más corta esté en contra del borde. Atornillelos y asegúrelos por la parte de abajo de la mesa con los tornillos #21. Vea el **Detalle F**.





12. Una los extremos de los Tubos Conectores #4 con los dos orificios hacia **ADENTRO** de la pata #2 como están mostrados en el **Detalle G y Detalle H**. Asegurelos con los tornillos #23, los separadores de plástico #31 y las tuercas de seguridad #15. Asegurese que las tuercas y tornillos estén lo suficientemente apretados y seguros para mantener la mesa estable pero no los sobre apriete. Los tubos deben girar libremente.

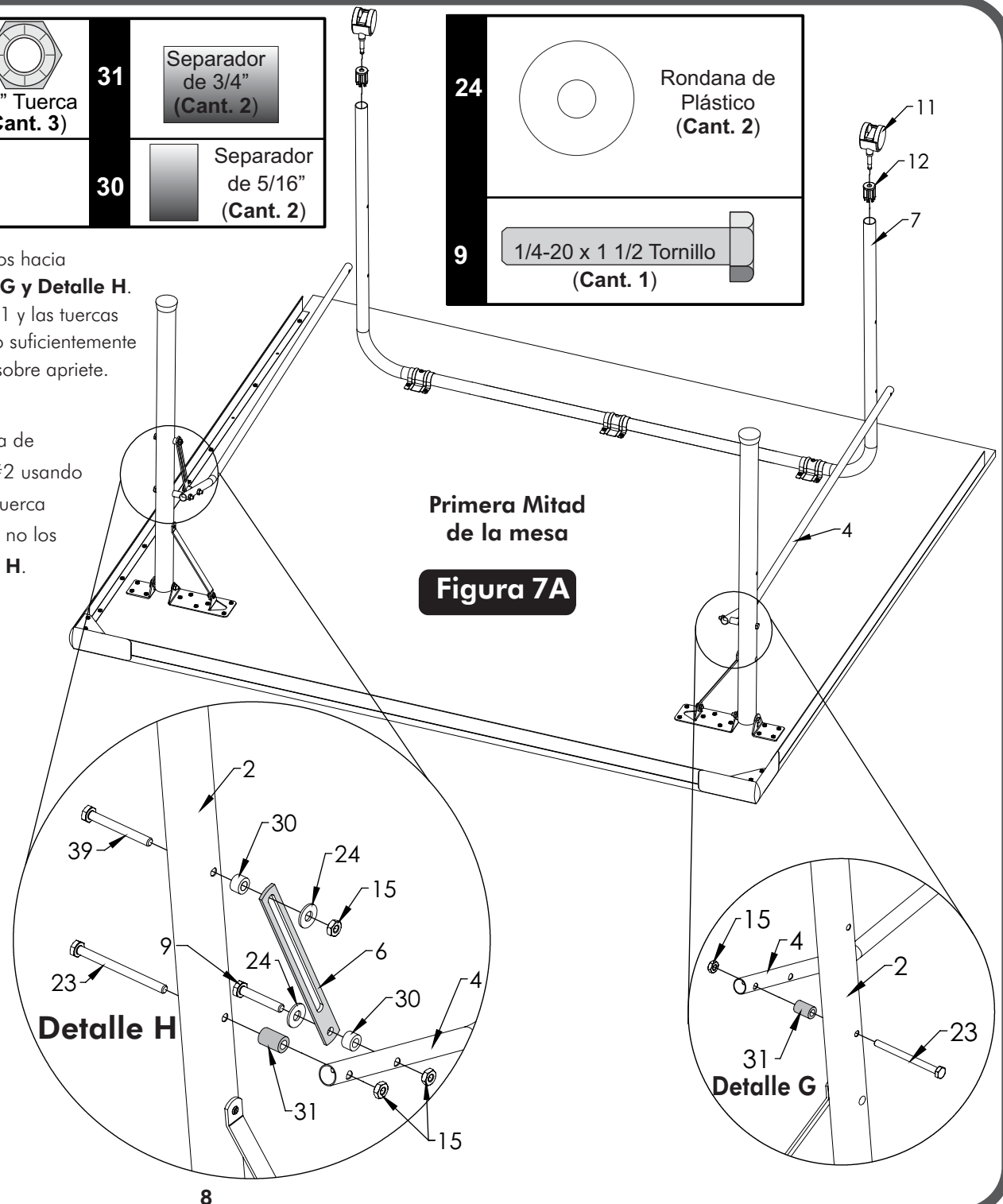
13. En un lado de la mesa una el extremo con la ranura de la correa de seguridad de metal #6 por la parte de **ADENTRO** de la pata #2 usando un tornillo #39, un Separador #30, una rondana #24, y una Tuerca #15. Asegurese que las tuercas estén apretadas y seguras pero no los sobre apriete. Los tubos deben girar libremente. Vea el **Detalle H**.

14. Una el otro extremo de la correa de seguridad de metal #6 a la parte de **AFUERA** del Tubo Conector #4 usando un tornillo #9, una rondana #24, un separador #30, y una tuerca hexagonal #15. Como se muestra en el **Detalle H**.

Importante: NO coloque la otra correa #6 en esta mitad de la mesa. Esta sera instalada en la otra mitad de la mesa después.

15. Inserte cuidadosamente casquillos de las llantas #12 dentro del soporte en forma de U #7 hasta que el borde del casquillo toque el borde del tubo. **NO GOLPEE EL CASQUILLO DIRECTAMENTE CON EL MARTILLO! COLOQUE UN PEDAZO DE MADERA SOBRE EL CASQUILLO Y GOLPE SOBRE EL PEDAZO DE MADERA PARA INSERTAR EL CASQUILLO ADENTRO DEL SOPORTE EN FORMA DE U.**

16. Inserte las llantas #11 adentro del casquillo #12. Vea la **Figura 7A**.

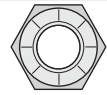


Necesita:

9

1/4-20 x 1 1/2 Tornillo
(Cant. 2)

15

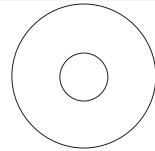


1/4" Tuerca
(Cant. 4)

14

1/4-20 x 2" Tornillo
(Cant. 2)

24



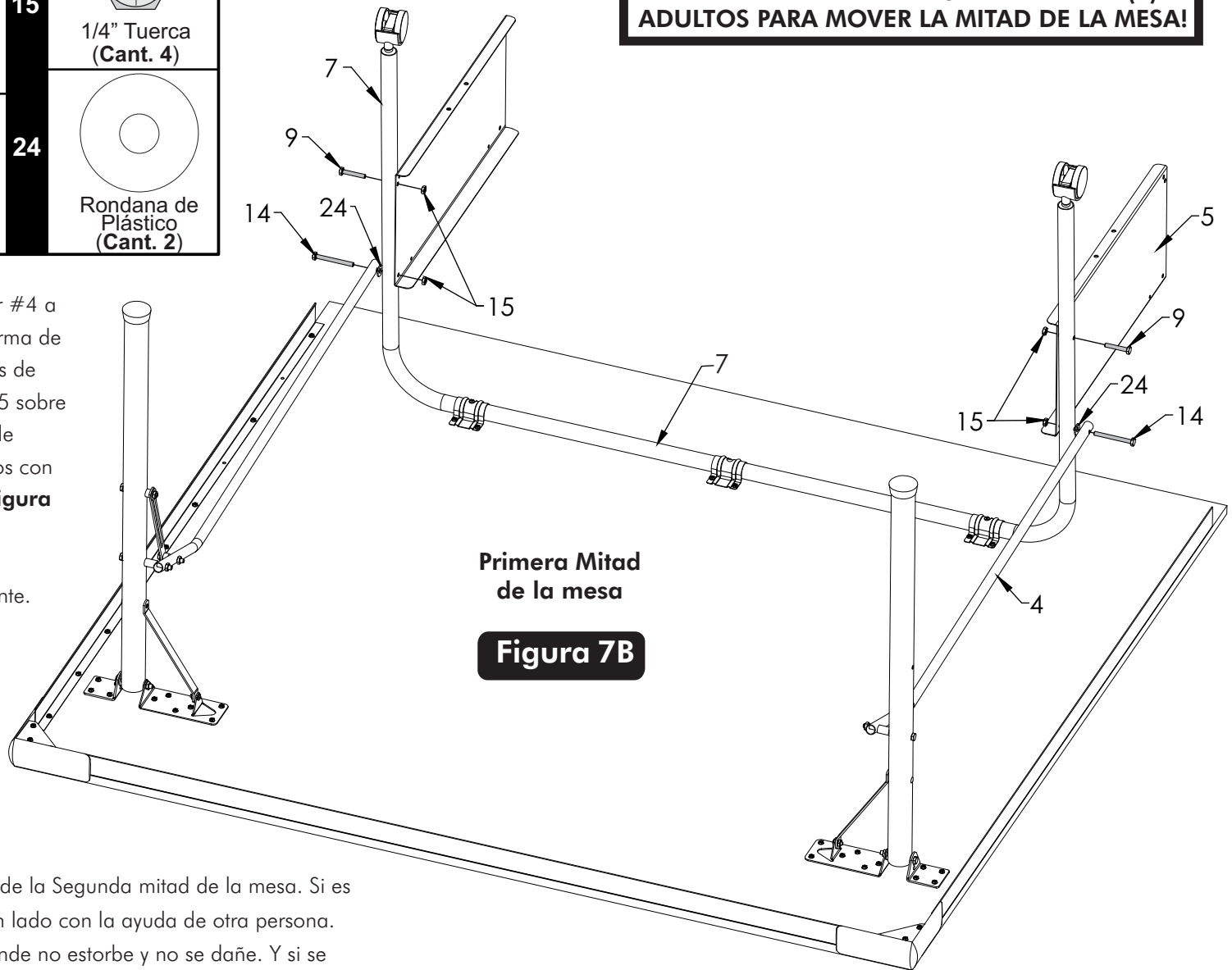
Rondana de
Plástico
(Cant. 2)

! ADVERTENCIA:
¡POR LO MENOS SE REQUIERE DE DOS (2)
ADULTOS PARA MOVER LA MITAD DE LA MESA!

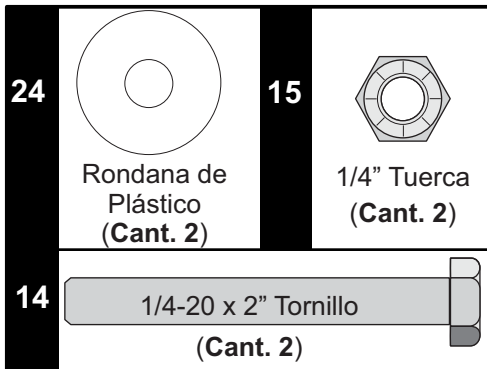
17. Una el otro extremo del Tubo Conector #4 a la parte de **AFUERA** del soporte en forma de U #7 con los tornillos # 14 y rondanas de plástico #24, luego deslice la Placa #5 sobre los mismos tornillos #14 por la parte de **ADENTRO** del soporte #7. Asegúrelos con las tuercas de seguridad #15 Vea la **Figura 7B**. Asegurese que las tuercas estén apretadas y seguras, pero no las sobre apriete. Los tubos deben girar libremente.

18. Una la parte de abajo de la placa #5 a los soportes #7. Inserte los tornillos #9, a las tuercas de seguridad #15. Apriete las tuercas, pero esté seguro de no doblar los tubos. Vea la **Figura 7B**.

19. Prepare una área para el ensamblado de la Segunda mitad de la mesa. Si es necesario mueva el primer tablero a un lado con la ayuda de otra persona. Asegúrese de ponerlo en una lugar donde no estorbe y no se dañe. Y si se coloca de lado, asegurese de poner el borde inferior a no menos de 12 pulgadas de distancia de la pared. También esté seguro de poner un pedazo de alfombra o una colchoneta abajo de los bordes de la mesa para protegerlos. Si el piso no esta alfombrado ponga un objeto pesado sosteniendo la mesa para que no se resbale.



Necesita:

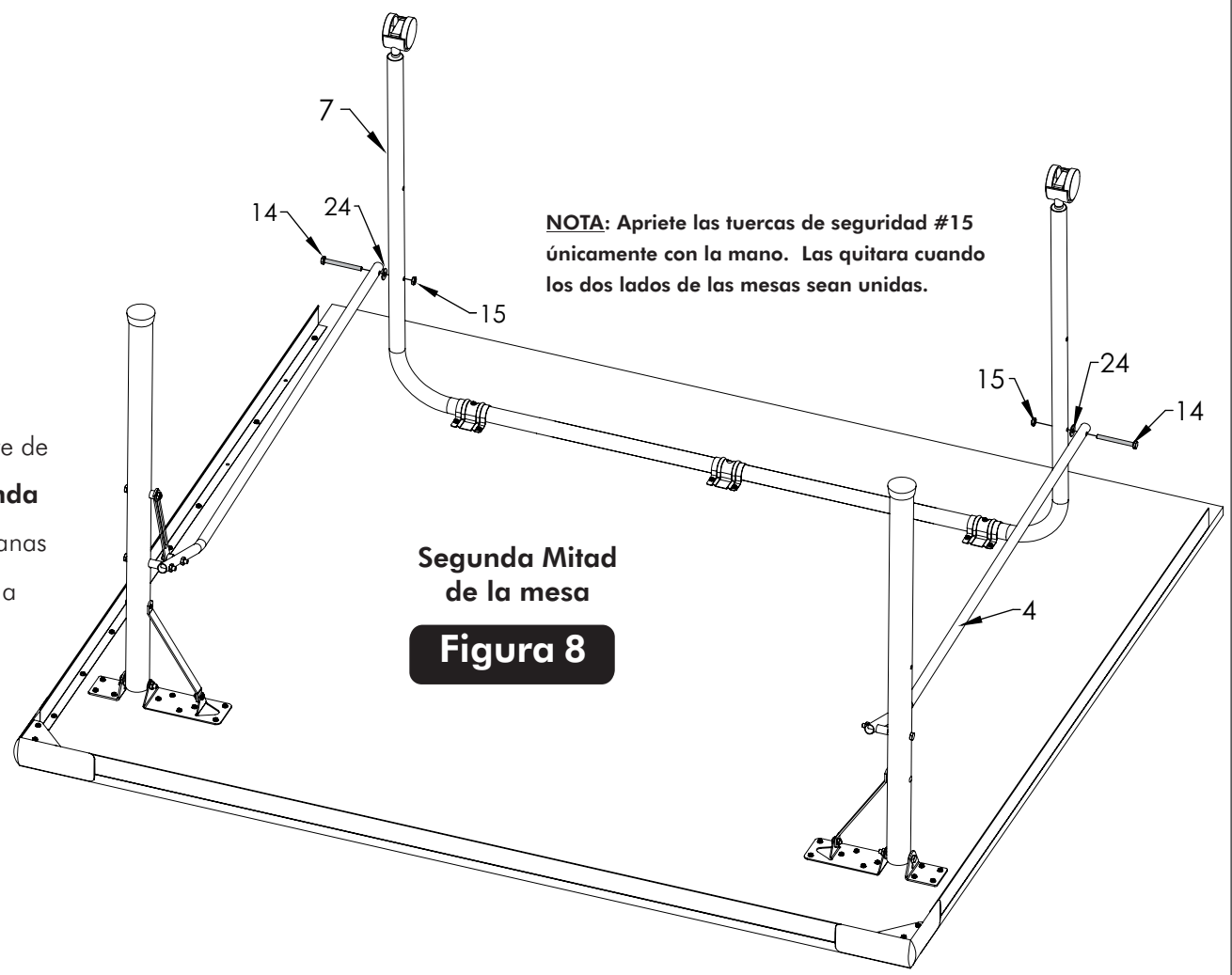


! ADVERTENCIA:
¡POR LO MENOS SE REQUIERE DE DOS (2) ADULTOS PARA MOVER LA MITAD DE LA MESA!

20. Repita los pasos del 1 al 16 en la segunda mitad de la mesa.

21. Una el otro extremo del Tubo Conector #4 a la parte de **AFUERA** del soporte en forma de U #7 a la **Segunda mitad de la mesa** con los tornillos # 14, las rondanas de plástico #24 y las tuercas hexagonal #15. Vea la **Figura 8**.

NOTA: Apriete las tuercas de seguridad #15 únicamente con la mano. Las quitara cuando los dos lados de las mesas sean unidas.



NOTA: Apriete las tuercas de seguridad #15 únicamente con la mano. Las quitara cuando los dos lados de las mesas sean unidas.

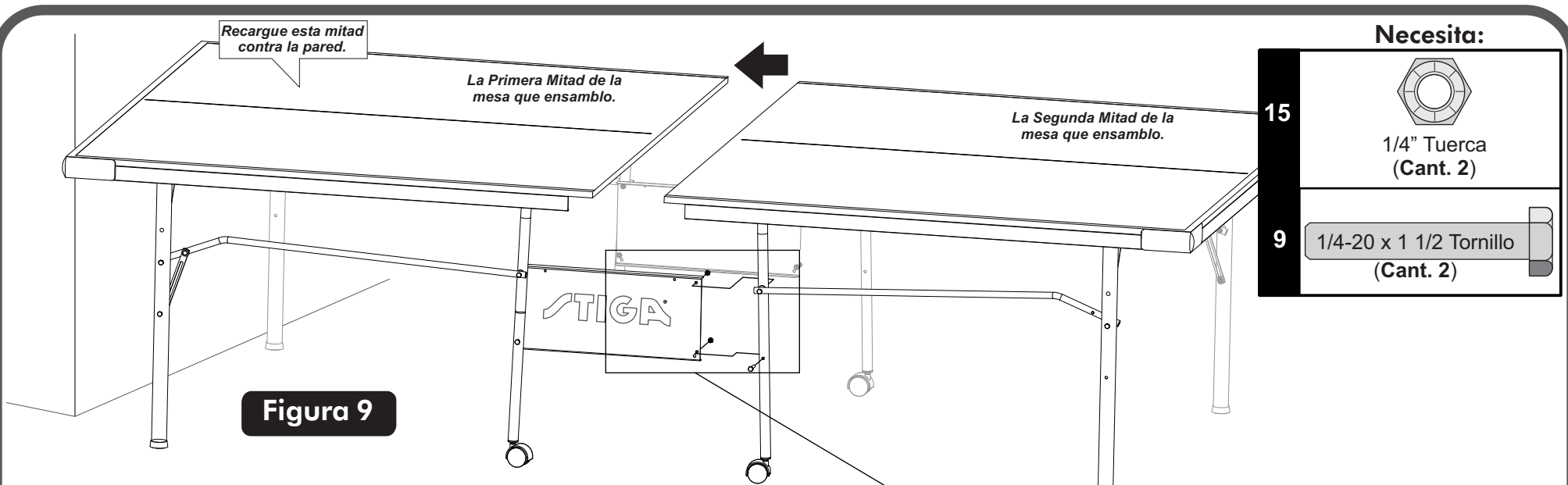
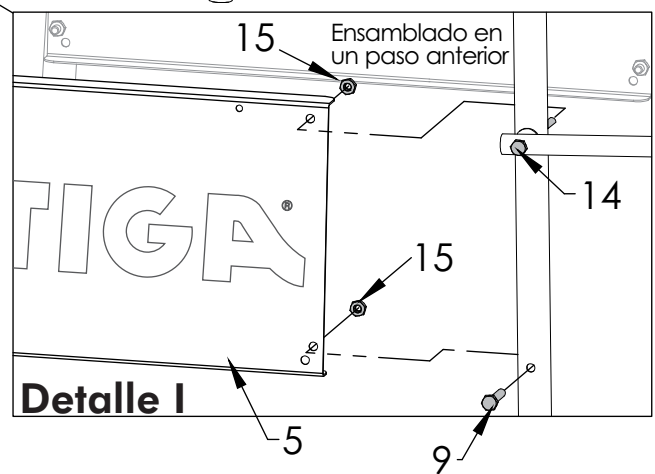


Figura 9

22. Esté seguro que las patas de la primera mitad de la mesa (la mitad con la placa #5) estén abiertas. Con una persona en cada lado de la mesa, levante y ponga la mitad de la mesa como se muestra. Coloque la mesa contra la pared como está mostrada, para ayudar a estabilizar la mitad de la mesa mientras que la Segunda mitad esta siendo colocada. Asegúrese que haya suficiente espacio para colocar la segunda mitad de la mesa. Vea la **Figura 9**.

ADVERTENCIA:
ESTÉ SEGURO QUE LA PRIMERA MITAD DE LA MESA QUE USTED ENSAMBLO (CON LAS PLACAS #5) ESTÉ ESTABLE Y CONTRA LA PARED. NO DEJE LA MITAD DE LA MESA DESATENDIDA.

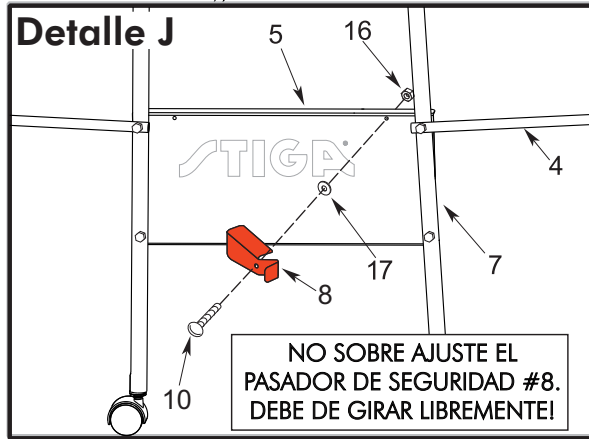
23. Coloque un tornillo #9 y una tuerca de seguridad #15 sobre el piso a un lado de las llantas (en ambos lados de la mitad de la mesa) así las tendrá a la mano para el próximo paso. Vea el **Detalle I**.



ADVERTENCIA: **HASTA QUE LAS DOS MITADES DE LA MESA ESTÉN UNIDAS NO PUEDEN ESTAR PARADAS SOLAS. SE RECOMIENDA TRES (3) PERSONAS PARA UNIR LAS DOS MITADES DE LA MESA. DOS PERSONAS PARA SOSTENER LA MESA Y UNA PERSONA PARA ATORNILLAR LOS TORNILLOS A LA MESA.**

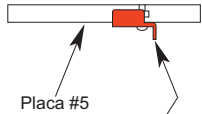
24. Con una persona en cada uno de los lados de la Segunda mitad de la mesa, deslice la Segunda mitad contra de la primera mitad. Remueva las tuercas de seguridad #15 de los tornillos #14 de la Segunda mitad donde el soporte en U #7 y los Tubos Conectores #4 se unen. Alinee los orificios de la Placa #5 (de la primera mitad de la mesa) con los orificios en los soportes en U #7 (de la segunda mitad de la mesa). Asegure la segunda mitad de la mesa usando el orificio de arriba de la Placa #5 con los tornillos hexagonal #14 que fueron instalados anteriormente y las tuercas #15 que removi6. Asegure la Segunda mitad de la mesa con el orificio de abajo de la Placa #5 con los dos tornillos hexagonales #9 y las tuercas de seguridad #15 que usted puso en el piso con anterioridad. Asegurándose que las tuercas estén apretadas y seguras, pero no las sobre apriete. Estas uniones deben moverse. Asegurese que todos los tornillos #9 que instalo en la Placa #5 esten apretados. Vea la **Figura 9 y Detalle I**.

Figura 10



NO SOBRE AJUSTE EL PASADOR DE SEGURIDAD #8. DEBE DE GIRAR LIBREMENTE!

Vista de Arriba



Pasador de Seguridad #8
(el borde se extiende sobre la placa)

Detalle K

Necesita:

16	#10-24 Tuerca (Cant. 2)	
17	#10 Rondana (Cant. 2)	
10	#10-24 X 3/4 Tornillo Phillips (Cant. 2)	



ADVERTENCIA:

INSTALE LOS PASADORES DE SEGURIDAD #8 COMO SE MUESTRA ARRIBA PARA EL USO APROPIADO DE LA MESA! NO OMITA ESTE PASO! NO USE LA MESA HASTA QUE LOS PASADORES DE SEGURIDAD ESTÉN INSTALADOS Y HASTA QUE HAYA TERMINADO DE ENSAMBLAR LA MESA.

25. Escoja una Placa #5 en cualquier lados de la mesa e instale un el Pasador de seguridad #8 dentro del lado derecho del orificio sobre la Placa como está mostrado en las **Figuras 10, 11 y el Detalle J**. Use uno de los tornillos #10, una rondana #17 y una tuerca #16. **NOTA: EL BORDE DEL PASADOR DE SEGURIDAD DEBE IR EXTENDIDO SOBRE DE LA PLACA COMO SE MUESTRA EN EL DETALLE K. EL PASADOR DE SEGURIDAD DEBE DE GIRAR LIBREMENTE.**
26. Vaya al otro lado de la mesa e instale el segundo Pasador de seguridad #8 dentro del lado derecho del orificio sobre la Placa #5. **NOTA: Los Pasadores de seguridad deben ser instalados diagonalmente de uno al otro. Ver la Figura 11.**

Vista de Arriba de la mesa

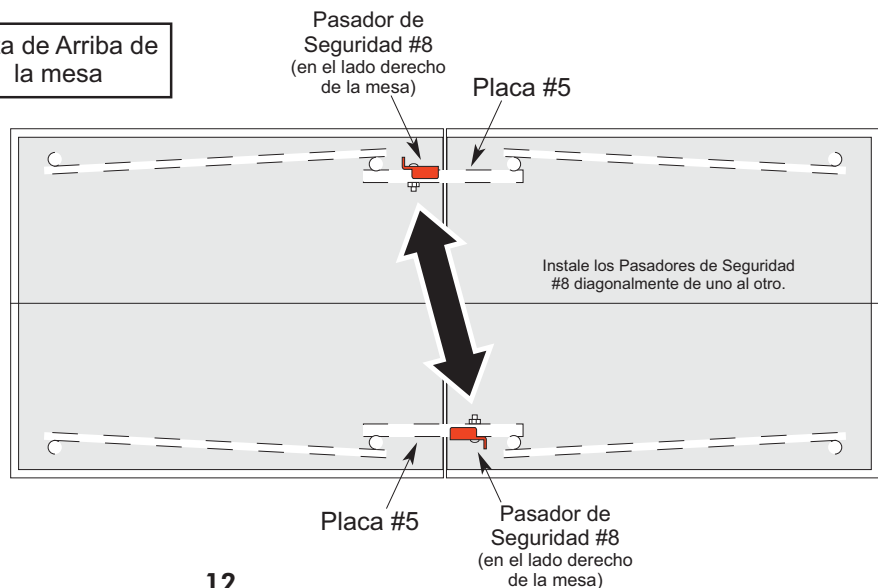
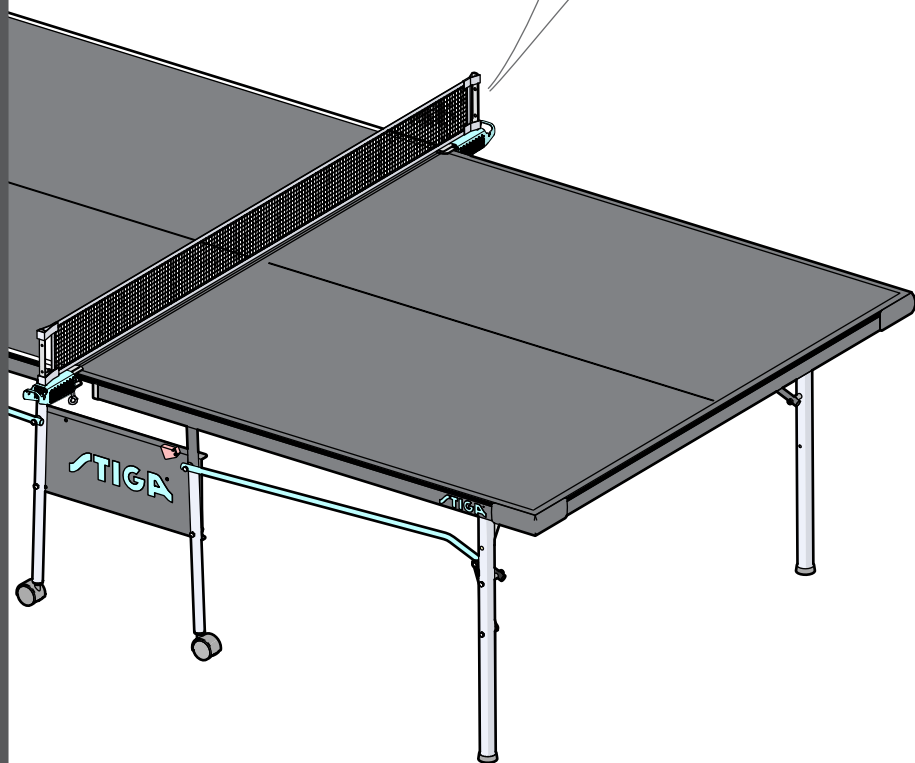
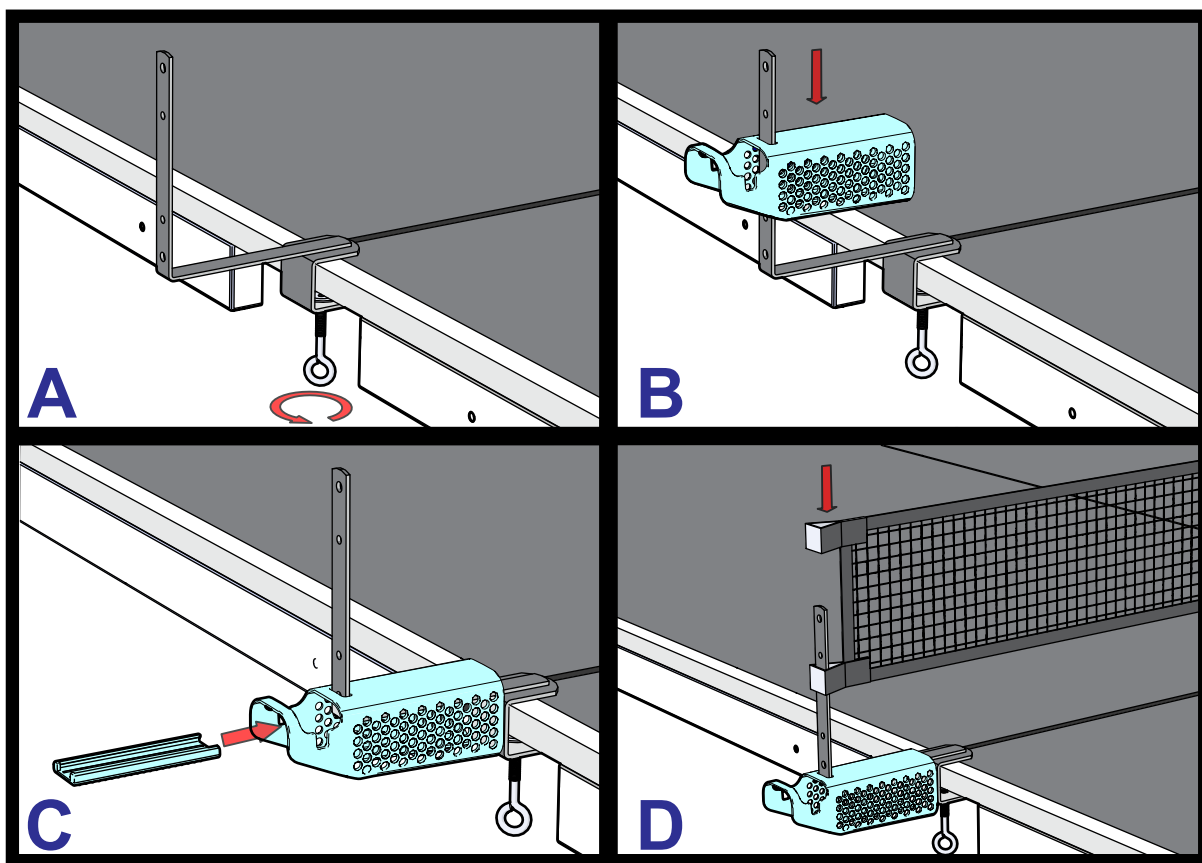


Figura 11



27. Asegure los postes de la red al centro de la mesa, ajuste los tornillos en los postes de la red, como se muestra en la Dibujo **A**.

28. Inserte el sostenedor de la paleta de ping pong en el poste de la red, como se muestra en el dibujo **B**.

29. Inserte "Deslizador de Seguridad" en el canal del sostenedor de la paleta. Vea el dibujo **C**. Repita los pasos 27 al 29 para el otro poste de la red.

30. Deslice la red a hacia abajo sobre los postes. Vea el dibujo **D**. Nota: Para una tensión adecuada ajuste las correas de velcro en uno de los extremos de la red.

INSTRUCCIONES PARA ABRIR Y CERRAR LA MESA



ADVERTENCIA!

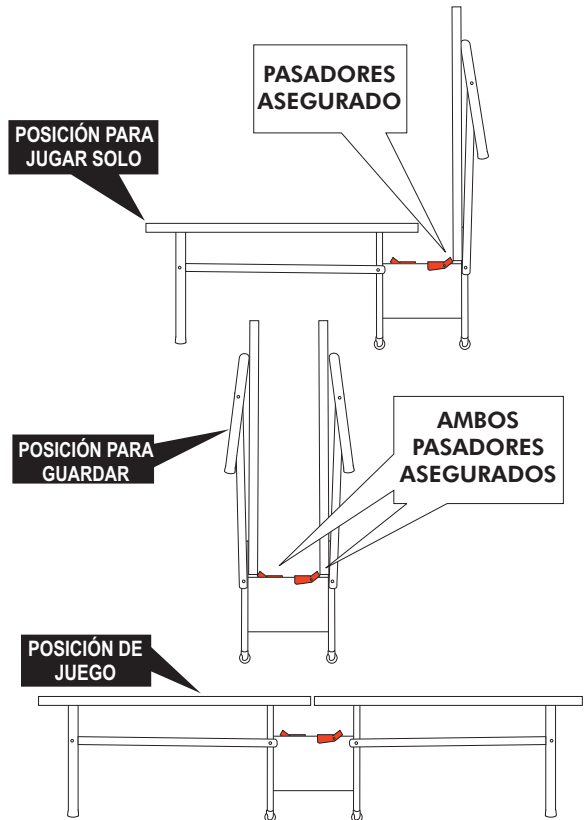
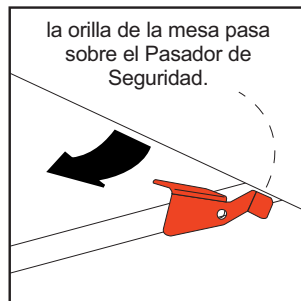
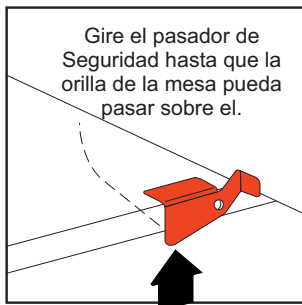
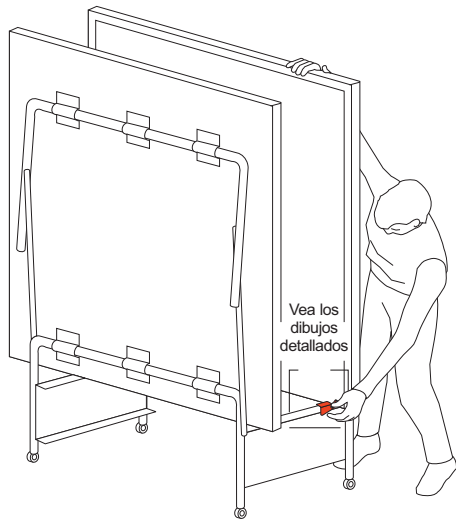
¡LEA AS INSTRUCCIONES DE MANEJO ANTES DE MOVER LA MESA! ¡NO PERMITA QUE NIÑOS ABran LA MESA! NO DEBEN DE PARARSE, SUBIRSE O BRINCAR SOBRE LA MESA. PUEDEN OCURRIR LESIONES GRAVES O MORTALES. ¡ESTA MESA NO ES UN JUGUETE! ¡ÚNICAMENTE LOS ADULTOS DEBEN ABRIR O CERRAR LA MESA. NO CUMPLIR CON LAS INSTRUCCIONES PARA ABRIR Y CERRAR LA MESA PUEDE RESULTAR EN LESIONES PERSONALES O DAÑOS MATERIALES.

PARA ABRIR:

1. Párese detrás de la mesa cerca de el pasador de seguridad.
2. detenga la mitad de la mesa con una mano y gire el pasador de seguridad lo suficientemente para permitir que pase sobre la orilla de la mitad de la mesa.
3. Mientras cuida el pasador de seguridad, gire la mitad de la mesa hasta que se mueva y pase el pasador de seguridad. Una vez que ha pasado sobre el pasador de seguridad, pare de girar la mitad de la mesa.
4. Con ambas manos sobre la mitad de la mesa. Desde el centro de la mitad de la mesa baje la mitad de la mesa a el piso.
5. Repita los mismos pasos para la otra mitad de la mesa.

PARA CERRAR:

1. Remueva la Red y los Postes de la mesa.
2. Levante la mitad de la mesa hacia arriba y hacia el interior y adentro hasta la posición vertical.
3. Asegúrese que la mitad de la mesa esté asegurada con el pasador de seguridad.
4. Repita los mismos pasos para la otra mitad de la mesa.



PRECAUCIÓN

ESTA ES UNA MESA DE JUEGO. NO DEBEN DE PARARSE, SUBIRSE O BRINCAR SOBRE LA MESA. DE NO CUMPLIR CON LAS INSTRUCCIONES PARA ABRIR Y CERRAR LA MESA PUEDE RESULTAR EN LESIONES PERSONALES O DAÑOS MATERIALES.

GARANTÍA LIMITADA POR 90 DÍAS

Esta garantía es aplicable para consumidores de la compra original de cualquier producto ESCALADE® SPORTS (en adelante denominado el "Producto").

DURACIÓN DE LA GARANTÍA: Se garantiza este Producto al comprador original por un período de (90) días a partir de la fecha de compra.

COBERTURA DE LA GARANTÍA: ESCALADE SPORTS le garantiza al comprador original que cualquier producto de su fabricación está libre de defectos en los materiales y fabricación cuando se lo utiliza para el propósito establecido, bajo condiciones normales de uso. ESTA GARANTÍA NO TIENE VALIDEZ SI EL PRODUCTO SE HA DETERIORADO POR ACCIDENTE, USO INDEBIDO, NEGLIGENCIA, MANTENIMIENTO INCORRECTO, NO SEGUIR LAS INSTRUCCIONES QUE VIENEN CON EL PRODUCTO U OTRAS CAUSAS NO RELACIONADAS CON DEFECTOS EN LOS MATERIALES O FABRICACIÓN.

APLICACIÓN DE LA GARANTÍA: Durante el período de garantía de (90) días, ESCALADE SPORTS reparará o reemplazará con otro similar, todo modelo o Producto o componente que resulte defectuoso bajo condiciones normales de uso y cuidado, cuando nuestra inspección demuestre que a nuestra satisfacción el mismo realmente es defectuoso; sírvase contactar a nuestro Departamento de Garantía.

1-866-873-3528 / Departamento de Garantía (Warranty Dept.)

○ escribanos a:

Escalade® Sports, Inc. - P.O. Box 889, Evansville, IN 47706 - Attn: Warranty Dept.

○ por correo electrónico a:

tabletennis@escaladesports.com

Fuera de los gastos de envío, no se impondrá cargo alguno por la reparación o reemplazo de los productos en garantía. ESCALADE® SPORTS recomienda asegurar los Productos por su valor antes del envío.

LIMITACIÓN DE LA GARANTÍA: TODA GARANTÍA ORIGINADA EN ESTA VENTA, INCLUYENDO EN FORMA NO TAXATIVA, LAS GARANTÍAS IMPLÍCITAS DE COMERCIALIZACIÓN Y APTITUD PARA UN FIN ESPECÍFICO, TENDRÁ VIGENCIA POR UN PLAZO DE (90) DÍAS. ESCALADE® SPORTS NO SERÁ RESPONSABLE POR LA PÉRDIDA DE USO DEL PRODUCTO U OTROS COSTOS INCIDENTALES O RELACIONADOS, PERJUICIOS O PERDIDAS GENERADAS POR EL CONSUMIDOR ANTE CUALQUIER OTRO USO.

Algunos estados no permiten la exclusión o limitación de las garantías implícitas o daños incidentales o conexos, de modo que las limitaciones que anteceden pueden no ser aplicables en su caso.

RECURSOS LEGALES: Esta garantía le otorga algunos derechos específicos además de otros derechos que varían según el estado.

CUIDADO Y MANTENIMIENTO

Usted ha comprado un producto de calidad que podrá disfrutar muchos años. Si sigue estos simples pasos de mantenimiento, alargará la vida de la mesa.

TABLERO

El tablero (superficie de juego) está construido de aglomerado. Al igual que todos los productos de madera, se puede ver afectado por cambios de temperatura y humedad causando una leve deformación por expansión o contracción. Esta situación es normal y no resta valor a la mesa ni afecta el juego. Después de armada, guardar plegada en lugar seco cuando no está en uso para minimizar los efectos de cambios de temperatura y humedad.

GUARDADO DE LA MESA

Se debe guardar la mesa en el interior para prevenir daños en la superficie de juego. La humedad y los cambios bruscos de temperatura pueden provocar alabeo, hinchazón, fisuras o ampollado de la madera. Cuando la mesa no se encuentra en uso, guardar plegada en lugar seco. Debido a la naturaleza del aglomerado, se puede alabear la superficie. La humedad puede aumentar este efecto que es normal y no afecta el uso de la mesa.

LIMPIEZA

Para limpiar la mesa, utilizar un trapo suave y húmedo solamente (NO MOJADO). Para evitar daños en la superficie de juego, NO UTILIZAR AGENTES QUIMICOS, ABRASIVOS NI PRODUCTOS DE LIMPIEZA sobre el tablero.




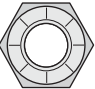
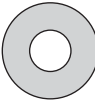

MANTENIMIENTO

Lubricar todas las partes móviles, incluyendo los puntos de giro. Esto garantizará la seguridad y facilidad de uso.

Guardar en lugar cerrado para impedir daños en la superficie de juego. La humedad y los cambios bruscos de temperatura que se producen en patios o áreas similares pueden provocar el alabeo, hinchazón, fisuras o ampollado de la madera.

PISOS DESNIVELADOS

Si la mesa no parece estar nivelada, probablemente se deba a pisos desparejos o desnivelados. Colocar la mesa en POSICION DE JUEGO y moverla algunas pulgadas en distintas direcciones hasta encontrar una mejor ubicación. Si el piso está extremadamente desnivelado, no se puede utilizar la mesa adecuadamente. Si el tablero está más alto en el medio, suplementar con una cuña las patas exteriores.

# DE REFERENCIA		IDENTIFICADOR DE TORNILLOS	
9	1/4-20 x 1-1/2 Tornillo de cabeza Hexagonal (Cant. 6)		32 No Usado
10	10-24 x 3/4 Tornillo Phillips (Cant. 2)		19 #8-32 x 1 1/4 Tornillo para lamina de metal (Cant. 4)
14	1/4-20 x 2 Tornillo de Cabeza Hexagonal (Cant. 4)		23 (Cant. 4) 1/4-20 X 3 1/4 Tornillo de Cabeza Hexagonal
15	1/4-20 Tuerca de Seguridad (Cant. 20)		16 #10-24 Tuerca de Seguridad (Cant. 6)
17	#10 Rondana (Cant. 2)		20 #8 X 7/16 Tornillo para lamina de metal (Cant. 100)
30	Separador de 5/16" (Cant. 4)		21 Rondana de plástico (Cant. 16)
	No Usado		24 #8 x 1 7/16 Tornillo para lamina de metal (Cant. 12)
	No Usado		37 #10-24 X 1/2 Tornillo Phillips (Cant. 4)
	No Usado		38 (Cant. 4) 1/4-20 X 2 1/4 Tornillo de Cabeza Hexagonal
	No Usado		39 (Cant. 2) 1/4-20 X 2 1/2 Tornillo de Cabeza Hexagonal

Lista de partes reemplazables - T8723

No. de ref	Modelo	Descripción	Cant.
1	4A-7981-00	Tablero	2
2	1A-7894-00	Pata con Abrazadera	4
3	2S-6879-10	Abrazadera en U -1"	6
4	8S-6758-04	Tubo Conector - Azul	4
5	2S-6422-23	Placa (Stiga)	2
6	2S-6428-01	Tira de metal de Seguridad	2
7	8S-6606-05	Tubo de Soporte en U	2
8	2S-6264-04	Pasador de Seguridad	2
9	WB-1094-00	1/4-20 x 1 1/2 Tornillo de cabeza Hex.	6
10	1B-4049-01	#10-24 x 3/4 Tornillo Phillips	2
11	2Q-6084-00	Llanta de 2"	4
12	3M-6115-00	Casquillo para Llanta	4
13	4C-0201-00	Tapadera para la Pata	4
14	WB-1110-00	1/4-20 x 2 Tornillo de cabeza Hexagonal	4
15	WN-1008-99	1/4-20 Tuerca de Seguridad	20
16	WB-1007-99	#10-24 Tuerca de Seguridad	6
17	2N-0214-99	#10 Rondana	2
18	NO USADO		
19	1B-4089-00	#8-32 x 1 1/4" Tornillo para lamina/metal	4
20	1B-6451-00	#8 x 7/16 Tornillo para lamina/metal	100
21	1B-6951-00	#8 x 1 7/16 Tornillo SMS	12
22	5A-4229-02	Protector de Esquinas - Negro	4
23	1B-6477-00	1/4-20 x 3 1/4" Tornillo de cabeza Hex.	4
24	2B-6087-00	Rondana de plástico	16
25	2S-4616-11	Riel Lateral - Color Blanco	2
26	2S-4615-10	Riel del Extremo - Color Blanco	2
27	5A-7964-00	Red y Postes	1
28	2L-7587-00	Manual del Usuario - T8723	1
29	2S-4616-12	Riel Lateral - Color Blanco	2
30	7B-6257-00	5/16" Separador	4
31	7B-6256-99	3/4" Separador	4
32	NO USADO		
33	2S-6343-00	Soporte de Montaje para la pata - 1"	4
34	2S-4597-01	Soporte de Montaje	4
35	3M-4156-00	1 1/2" Tapa del Riel (Mano Derecha)	2
36	3M-4157-00	1 1/2" Tapa del Riel (Mano Izquierda)	2
37	1B-4138-00	#10-24 X 1/2 Tornillo Phillips	4
38	WB-1075-00	1/4-20 x 2 1/4" Tornillo de Cabeza Hex.	4
39	1B-4137-00	1/4-20 x 2 1/2" Tornillo de Cabeza Hex.	2
40	3M-8973-02	Almacén de pelotas/paletas de Ping Pong	1

*IDENTIFICADOR DE PARTES
EN LA PAGINA SIGUIENTE.

*LISTA DE PARTES
EN LA PAGINA
ANTERIOR.

