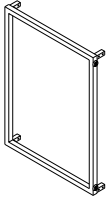
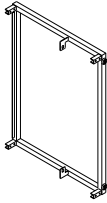
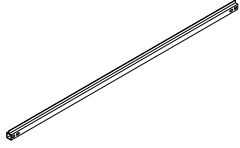
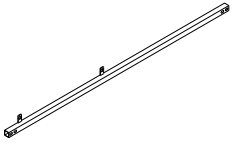
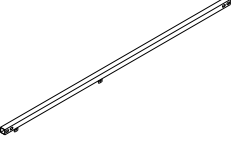
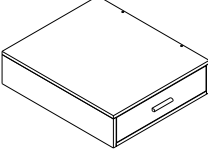
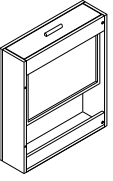
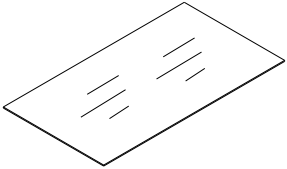
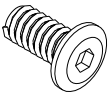
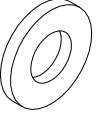


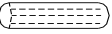
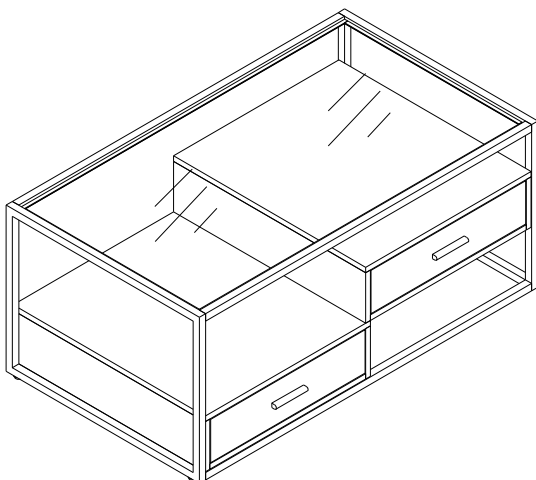


ASSEMBLY INSTRUCTION

2-DRAWER COCKTAIL TABLE

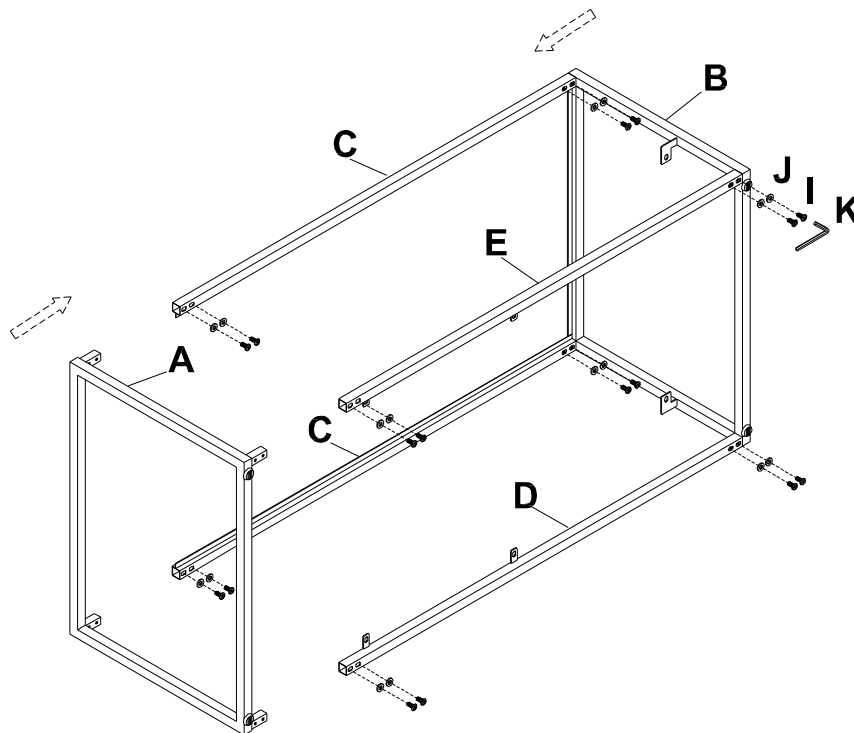
A Left Side Frame  1pc	B Right Side Frame  1pc	C Top Crossbar  2pcs	D Back Bottom Crossbar  1pc
E Front Bottom Crossbar  1pc	F Bottom Drawer  1pc	G Top Drawer  1pc	H Top Glass  1pc
I Bolt 1/4" x 15mm  22pcs	J Washer Φ16mm  22pcs	K Allen Wrench 1/4"  1pc	L Pads 10mm  6pcs
M Wood Dowel Φ8mm x 30mm  2pcs			



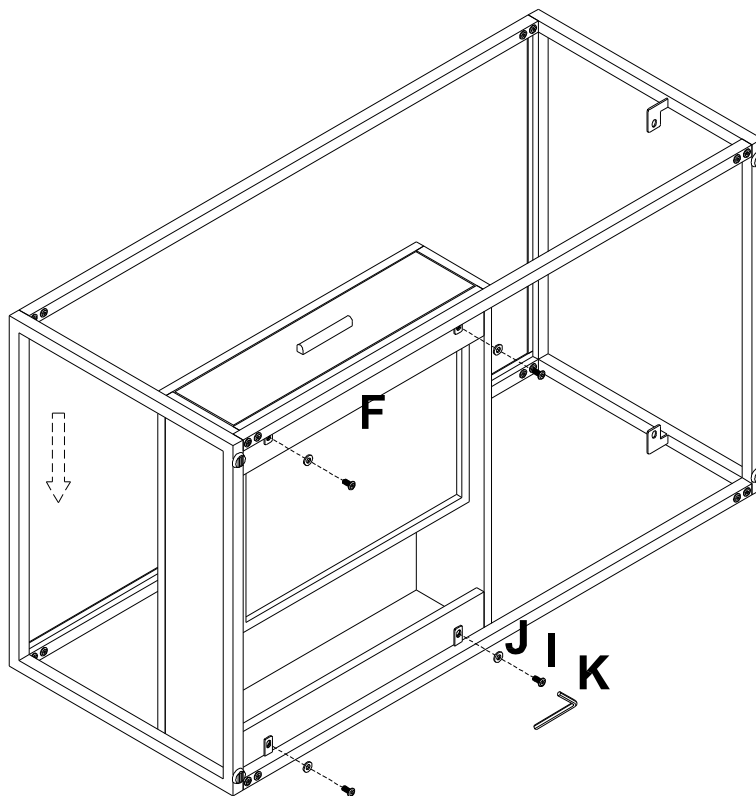
This page lists all the contents included in the box. Please take the time to identify the hardware as well as the individual components to this product. As you unpack and prepare for assembly, place the contents on a carpeted or padded area to protect them from damage.

***** Do not tighten screws & bolts until the entire unit is completely assembled.**

- 1** Attach Top Crossbar (C), Back Bottom Crossbar (D) and Front Bottom Crossbar (E) to Left Side Frame (A) and Right Side Frame (B) by Bolt (I), Washer (J) and Allen Wrench (K) as shown.

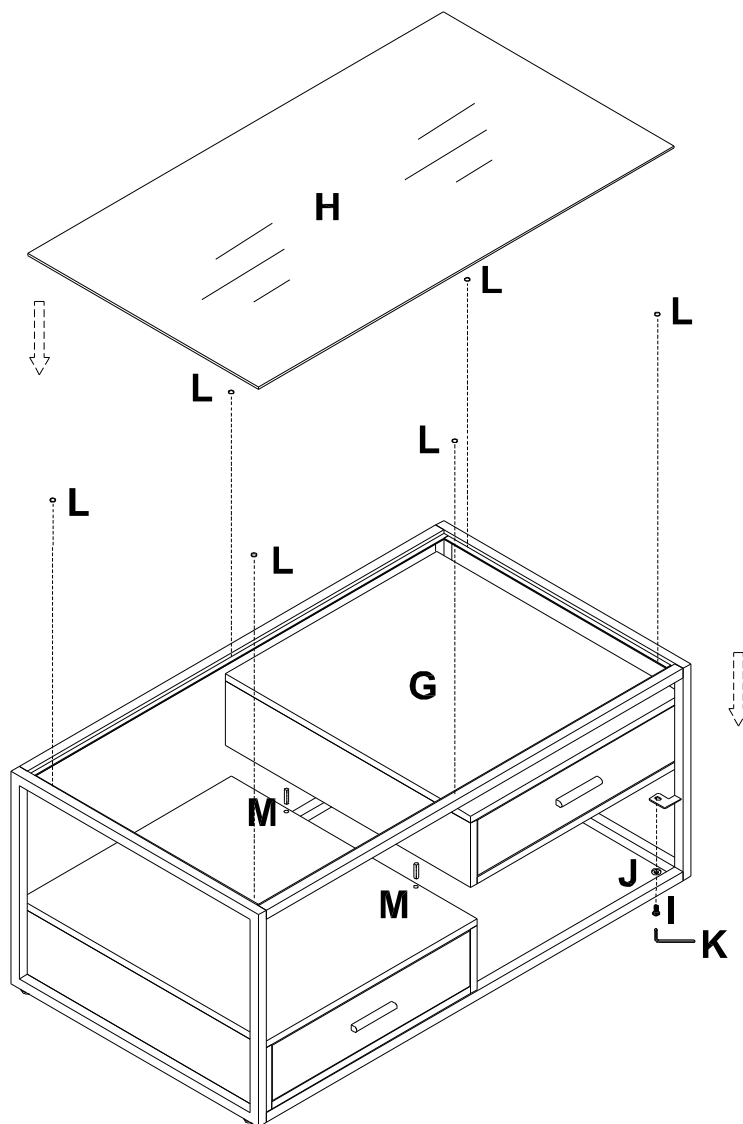


- 2** Attach Bottom Drawer (F) to the assembled unit by Bolt (I) and Washer (J) with Allen Wrench (K) as shown.



3

Attach the Top Drawer (G) to the assembled unit by Wood Dowel (M), Bolt (I) and Washer (J) with Allen Wrench (K). Attach Pad (L) on Top Frame, then place Top Glass (H) as shown.



Cleaning & Care

Treat surfaces with care. Surfaces are resistant to scratches but are not scratch resistant. Clean surfaces with a dry or damp soft cloth. Do not use abrasive cleaners. Hardware may loosen over time. Periodically check that all connections are tight.