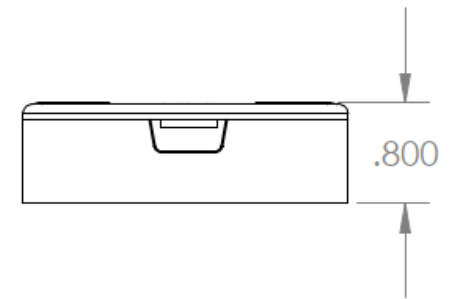
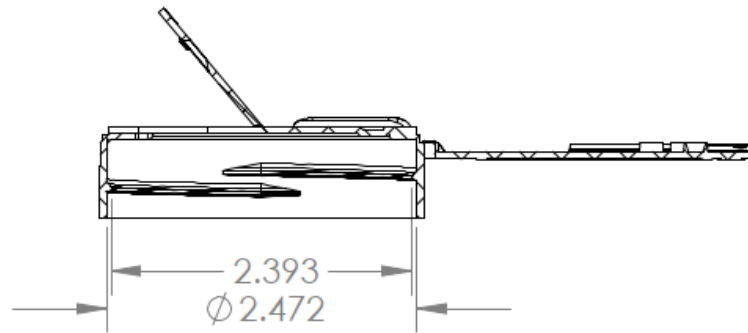
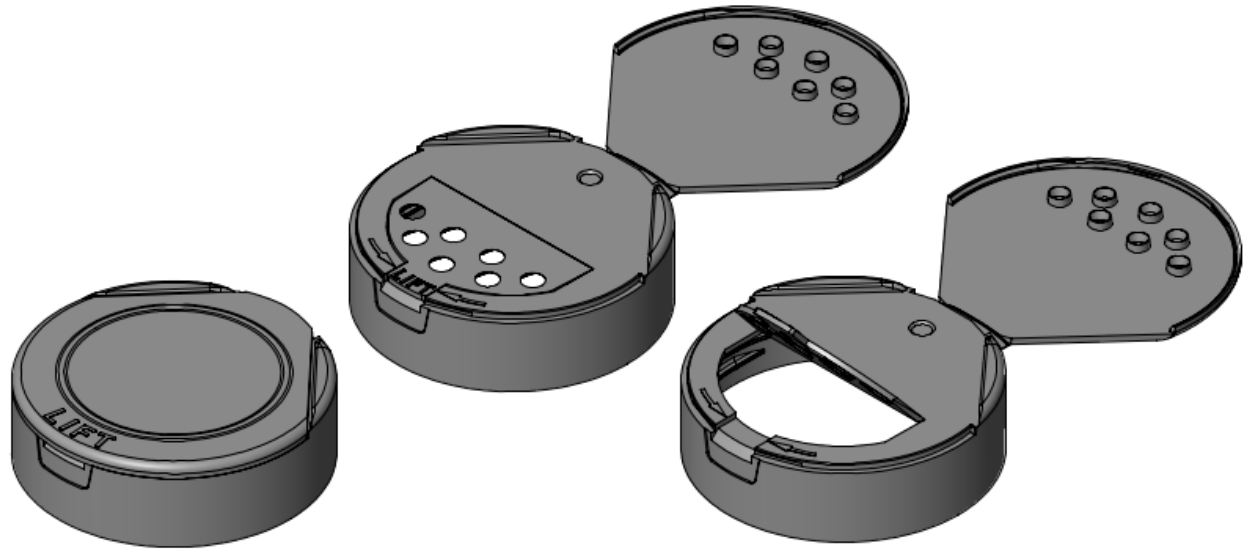
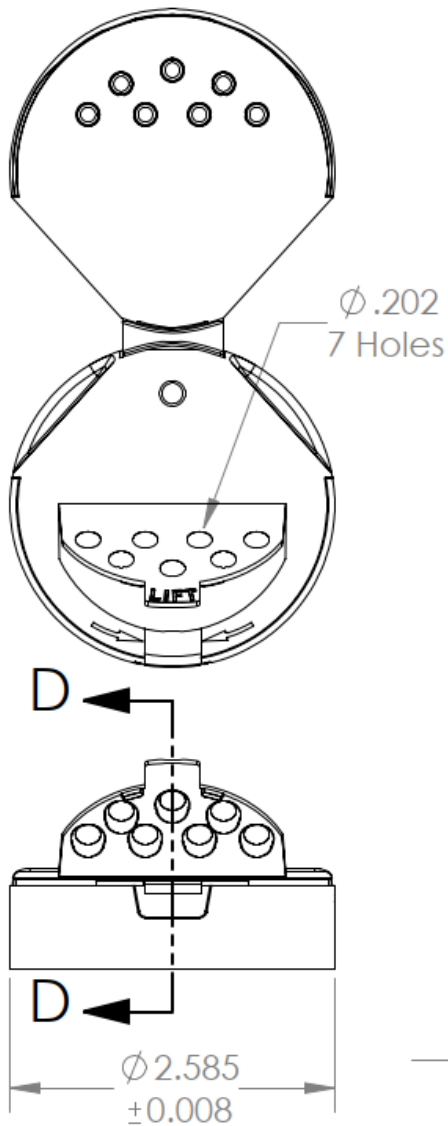


Lid Opening Force: 0.50 lbs. Min.



DISCLAIMER

THIS INFORMATION IS PROVIDED AS A GENERAL GUIDE, INCLUDING DIMENSIONS. IT IS THE CUSTOMER'S RESPONSIBILITIES TO SELECT THE PROPER CONTAINER FOR PRODUCT AND APPLICATION COMPATIBILITY.

DISTRIBUTED BY:



REF NO.:

DWG30933

DESCRIPTION:

63-485 White PP Plastic Dispensing Cap, Flip Top, Lift Spoon, 7 Holes, Unlined, .200 Orifice