

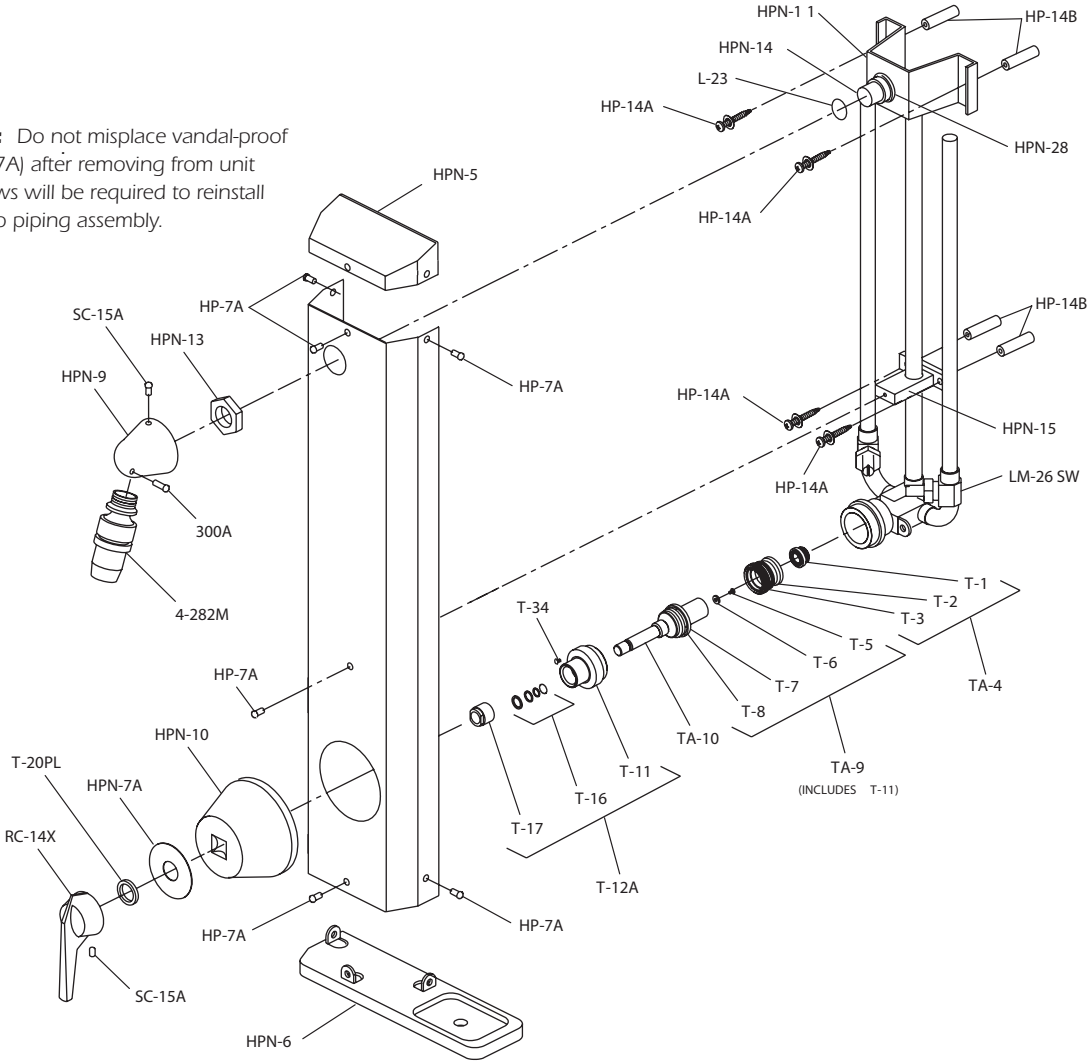


INDIVIDUAL PARTS		INDIVIDUAL PARTS		COMPOSITE PARTS	
HP-7A	Screw	T-1	Hot renewable seat	TA-4	Hot seat (T-1)
HP-14A	Screw	T-2	Cold seat o-ring		Cold seat (T-3)
HP-14B	Star plastic anchors	T-3	Cold renewable seat		Cold seat O-ring (T-2)
HPN-5	Top cap	T-5	Hot washer screw	TA-9	Hot washer screw (T-5)
HPN-6	Soap dish	T-6	Hot washer		Hot washer (T-6),
HPN-7	Nameplate	T-7	Cold washer retainer		Cold washer retainer (T-7)
HPN-9	Shower head bracket	T-8	Cold washer		Cold washer (T-8),
HPN-10	Dome cover	TA-10	Flow control spindle		Cap gasket (T-11)
HPN-11	Head mounting bracket	T-11	Cap gasket	TA-10	Spindle assembly
HPN-13	Mounting bracket nut	T-12A	Cap assembly		
HPN-14	Head bracket stud	T-16	Packing, o-ring and washer		
HPN-15	Pipe and shield bracket	T-17	Packing nut		
HPN-28	Locking nut	T-20PL	Dome lock nut		
L-23	O-ring	T-34	Limit stop with o-ring		
LM-26 SW	Service stop complete	300A	Set screw		
RC-14X	Handle	4-282M	Fre-Flo shower head		
SC-15A	Set screw				

**Tools required for installation:**

Slotted screwdriver, Phillips screwdriver, soldering equipment, adjustable wrench, channel lock pliers, hex socket keys (1/8" and 3/32"), electric drill with 1/4" drill bit, HY-50 screwdriver (provided)

**CAUTION:** Do not misplace vandal-proof screws (HP-7A) after removing from unit cover. Screws will be required to reinstall unit cover to piping assembly.



Symmons Industries, Inc. ■ 31 Brooks Drive ■ Braintree, MA 02184  
 Phone: (800) 796-6667 ■ Fax: (800) 961-9621  
 Website: symmons.com ■ Email: gethelp@symmons.com

Copyright © 2017 Symmons Industries, Inc. ■ ZV-331 REV A ■ 090117

