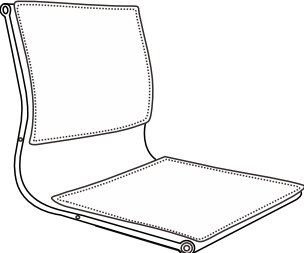
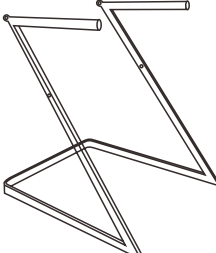





# ITEM NAME /NOM D' ITEM:LIDER PLUS CONFERENCE CHAIR

ITEM # /NO. ITEM:215211(WHITE/BLANC)

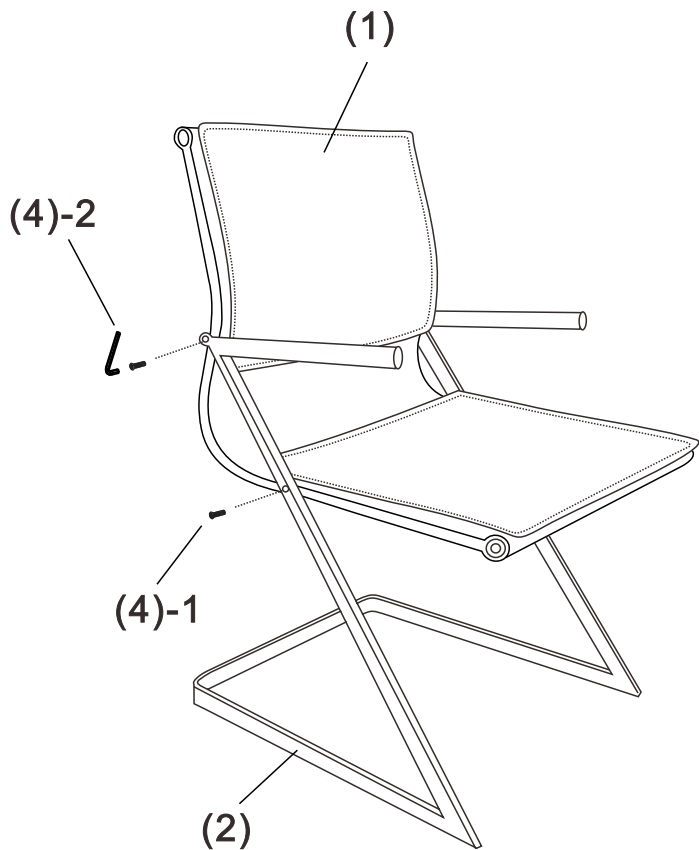
Enquiry:parts@zuomod.com

## PART LIST/Liste des pièces

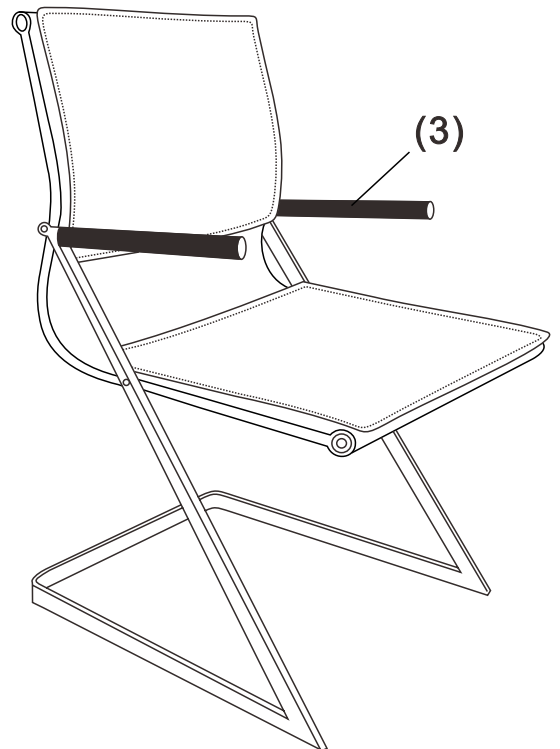
(1)	(2)	(3)	(4)
 X1	 X1	 Arm Cover X2	1.  X4  2.  X1

## INSTRUCTION

**A**


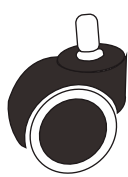

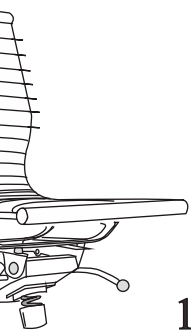
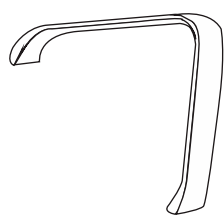
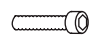




**B**



E-mail: info@zuomod.com

# PART LIST

 1 PC	(2) WHEEL  5PCS	(3) GASLIFT  1 PC
SEAT & BACK  1 PC	(5) ARMREST  2PCS	
1.  X4 6X55MM 2.  X4 3.  X1 5MM		

# INSTRUCTION

