



bestchoiceproducts



INSTRUCTION MANUAL

Writing Desk Workstation

! NOTICE

Please retain these instructions for future reference.

- Do not stand on or use any part of this product as a step ladder.
- Firmly secure all bolts, screws and knobs before use.
- Reconfirm that all bolts, screws, and knobs are secure every 90 days.
- If the outer wood shell covers a screw hole, use a screwdriver to carefully poke through the wood shell to reveal the screw hole.
- Product is intended for indoor use only.
- If any parts are missing, broken, damaged, or worn, stop using this item until repairs are made and/or factory replacement parts are installed.
- Do not use this item in a way inconsistent with the manufacturer's instructions as this could void the product warranty.
- To clean the desk, use a wet cloth that has been wrung out. Then, wipe it down once more with a dry cloth.
- Place the desk on smooth, flat ground. Do not use it in the following places:
 - Outdoors
 - Slanted ground
 - Direct sunlight

TOOLS REQUIRED



PHILLIPS/FLATHEAD
SCREWDRIVER
(PROVIDED)



ALLEN WRENCH
(PROVIDED)



200 LBS
CAPACITY



1 PERSON
ASSEMBLY



UP TO 30 MIN.
ASSEMBLY

HARDWARE

1 M2 x 10mm
SCREW



4 PCS

2 M5 x 15mm
SCREW



2 PCS

3 M6 x 30mm
SCREW



10 PCS

4 M8 x 50mm
SCREW



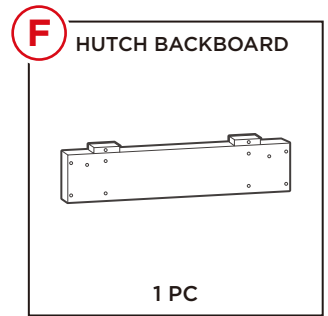
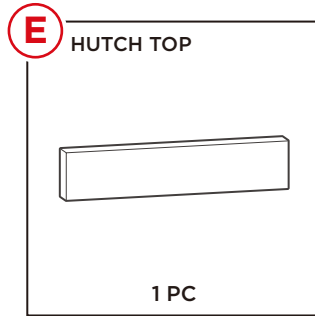
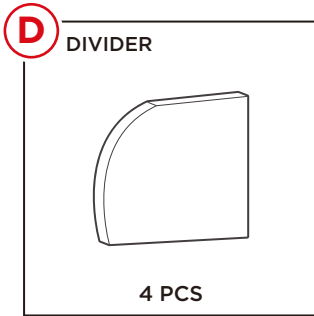
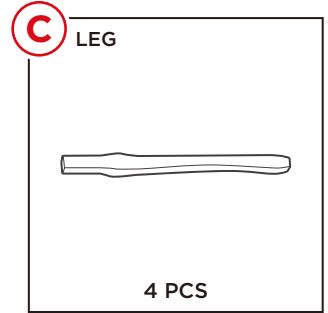
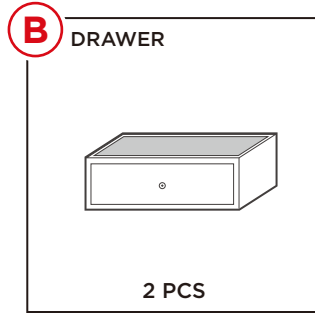
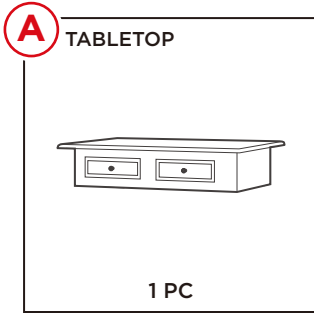
8 PCS

5 BRACKET



2 PCS

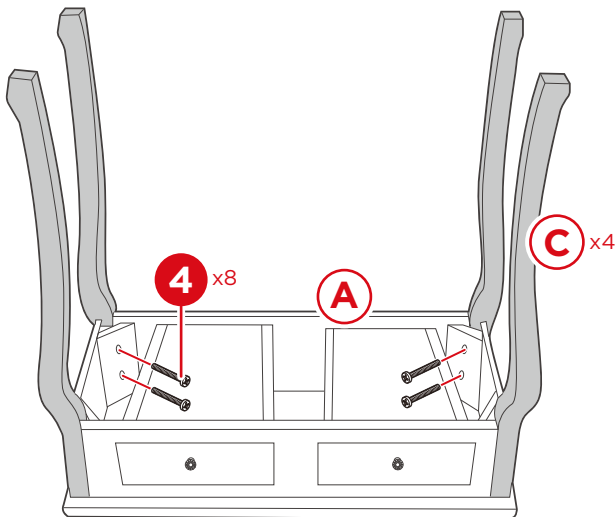
PARTS



PRODUCT ASSEMBLY

1

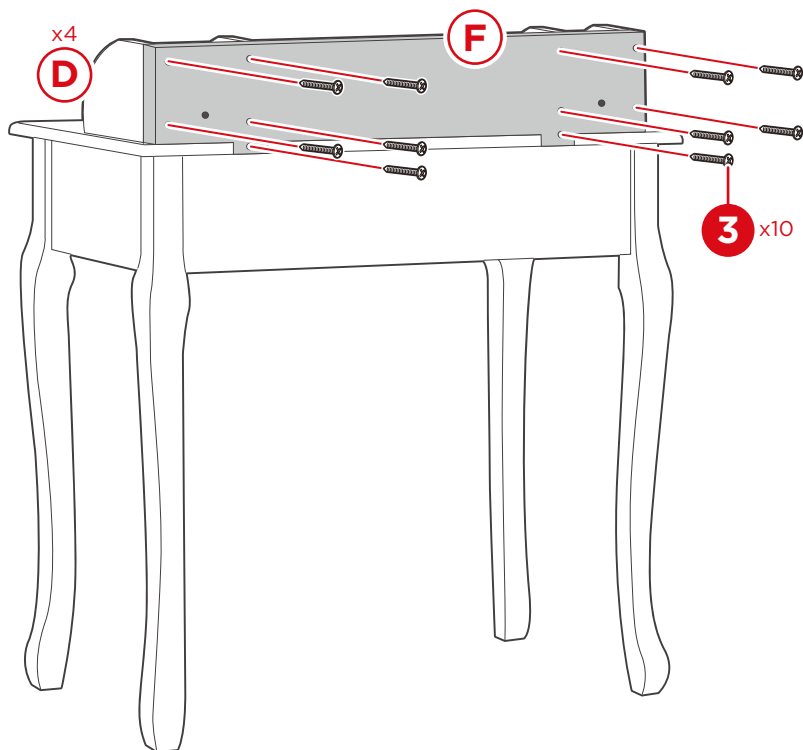
Attach part C legs to part A tabletop with two part 4 screws per leg.



PRODUCT ASSEMBLY

2

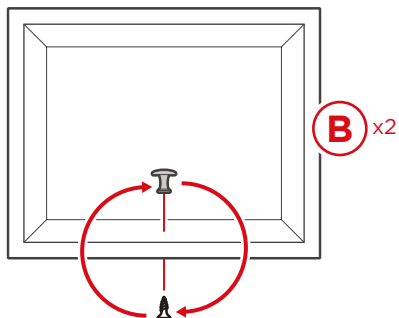
Attach four part D dividers to the part F Hutch backboard with eight part 3 screws.
Attach the hutch backboard to the part A tabletop with two part 3 screws.



PRODUCT ASSEMBLY

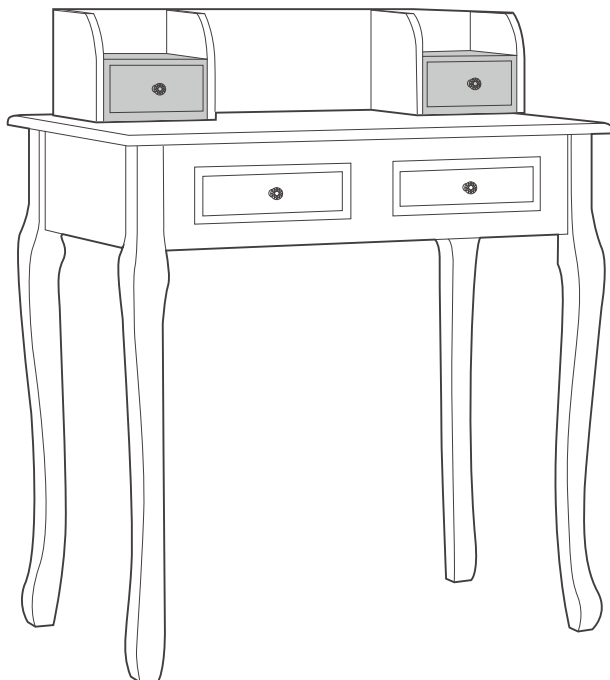
3

Locate one part B drawer and remove the screw from the drawer knob.
Place the drawer knob on the front of the drawer and secure with the same screw.
Repeat to assemble the second drawer.



4

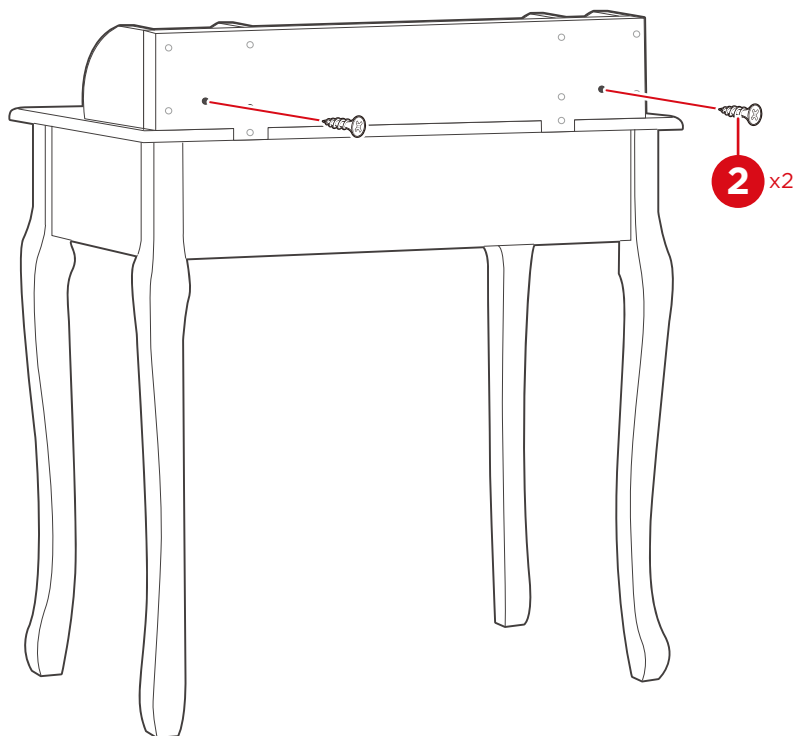
Slide in the part B drawers.



PRODUCT ASSEMBLY

5

Attach the part B drawers to the part F hutch backboard with two part 2 screws.

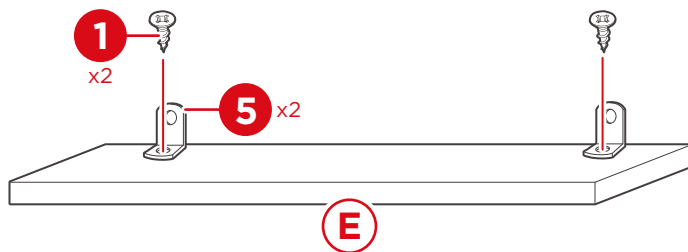


PRODUCT ASSEMBLY

6

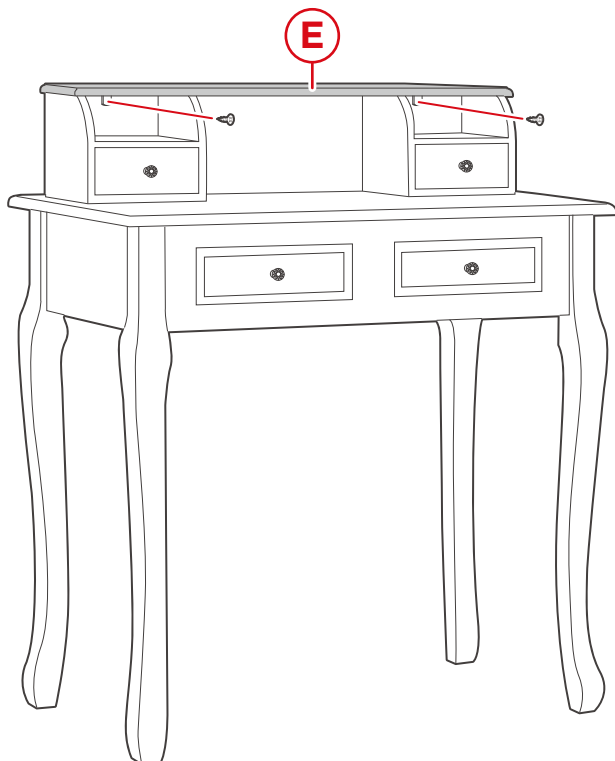
Attach two part 5 brackets to the part E hutch top with two part 1 screws.

NOTE: The bracket has a longer and shorter side. Attach the shorter side to the hutch top, and the long side the backboard.



7

Attach the part E hutch top to the hutch backboard with two part 1 screws.





HELP CENTER



Question about your product? We're here to help. Visit us at:

help.bestchoiceproducts.com



Chat Support



Product Inquiry



Orders FAQ



Product Assembly



Returns & Refunds

PRODUCT WARRANTY INFORMATION

All items can be returned for any reason within 60 days of the receipt and will receive a full refund as long as the item is returned in its original product packaging and all accessories from its original shipment are included. All returned items will receive a full refund back to the original payment method. All returned items will not be charged a re-stocking fee.

All returned items require an RA (Return Authorization) number, which can only be provided by a Best Choice Products Customer Service Representative when the return request is submitted. Items received without an RA may not be accepted or may increase your return processing time. Once an item has been received by Best Choice Products, refunds or replacements will be processed within 5 business days.

All returns must be shipped back to the Best Choice Products Return Center at the customer's expense. If the reason for return is a result of an error by Best Choice Products then Best Choice Products will provide a pre-paid shipping label via email. Boxes for return shipping will not be provided by Best Choice Products, and is the customer's responsibility to either use the original shipping boxes or purchase new boxes.

Pictures may be required for some returns to ensure an item is not damaged prior to its return. Items returned are not considered undamaged until they are received by Best Choice Products and verified as such. All damages to items are the customer's responsibility until the item has been received by and acknowledge by Best Choice Products as undamaged.



WARNING

Manufacturer and seller expressly disclaim any and all liability for personal injury, property damage or loss, whether direct, indirect, or incidental, resulting from the incorrect attachment, improper use, inadequate maintenance, unapproved modification, or neglect of this product.