

# HEKMAN®

A HOWARD MILLER COMPANY  
Grand Rapids, Michigan

## INSTALLATION INSTRUCTIONS








Pattern Description 23723/24923/26023 Eat chair

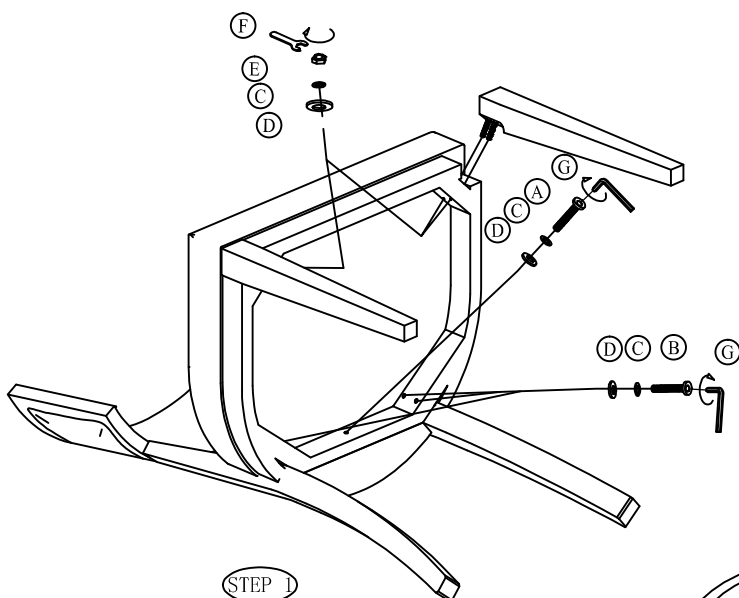
**DO NOT SCALE SKETCHES**  
COPYRIGHT 1997 HEKMAN FURNITURE COMPANY

Pattern Number(s)  
23723/24923/26023

Drawn By Amy

Date 3/14/22

| PARTS |   |         | Q' TY |
|-------|---|---------|-------|
| A     |  | 5/16*2" | 1     |
| B     |  | 5/16*3" | 4     |
| C     |  | 5/16 "  | 9     |
| D     |  | 5/16 "  | 9     |
| E     |  | 5/16 "  | 4     |
| F     |  | 13MM    | 1     |
| G     |  | 5MM     | 1     |



TO ASSEMBLE: (Two people required)

Step 1: Place the Chair Back on a padded surface, and assemble the Chair Seat to the Chair Back (as shown in Step 1), using one short bolt (A) and four long bolts (B) with five lock washers (C) and five flat washers (D) tighten with wrench (G). Do not fully tighten any bolts until the chair has been completely assembled.

Step 2: Attach both front legs to the seat frame using four nuts (E), and four lock washers (C) and four flat washer (D).

Step 3: Set the chair upright on a flat surface, Adjust the front legs so all four chair legs touch the floor. The seat cushion may need to be loosened to adjust the front legs. Tighten nuts on front legs first then tighten bolts is seat assembly to back assembly.

