

Features

- For baths 21" – 26" (533 – 660 mm) deep from center of bath overflow outlet to center of bath drain outlet
- 45" (1143 mm) length external cable
- Flexible overflow joint conforms to various bath angles
- Rotary or push handle controls and pop-up drain stopper (sold separately)
- No internal linkages, reducing the potential for clogging
- Includes tee, drain ell, and overflow ell with attached 1-1/2" OD pipe
- Flexible overflow neck fits various bath angles for easy installation

Material

- Solid-brass construction for durability and reliability
- 17-gauge brass drain pipe

Installation

- Above- or through-the-floor
- Can be installed and tested without required trim kit

Required Products/Accessories

K-T37391 Rotary-turn bath drain trim

or

K-T37392 Rotary-turn bath drain trim

or

K-T37393 Traditional rotary-turn bath drain trim

or

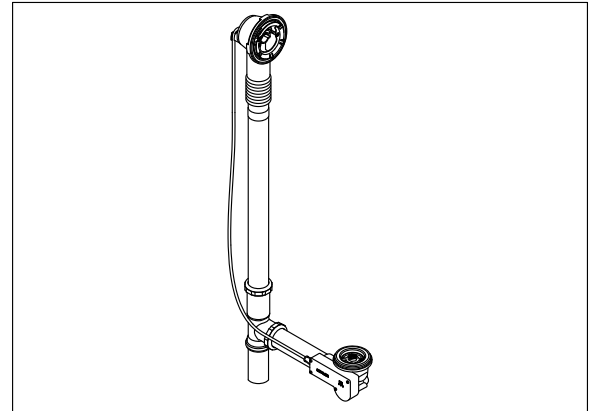
K-T37395 Bath drain trim

or

[K-T37396](#) Traditional push-button bath drain trim

Recommended Products/Accessories

K-23726 Drain treatment

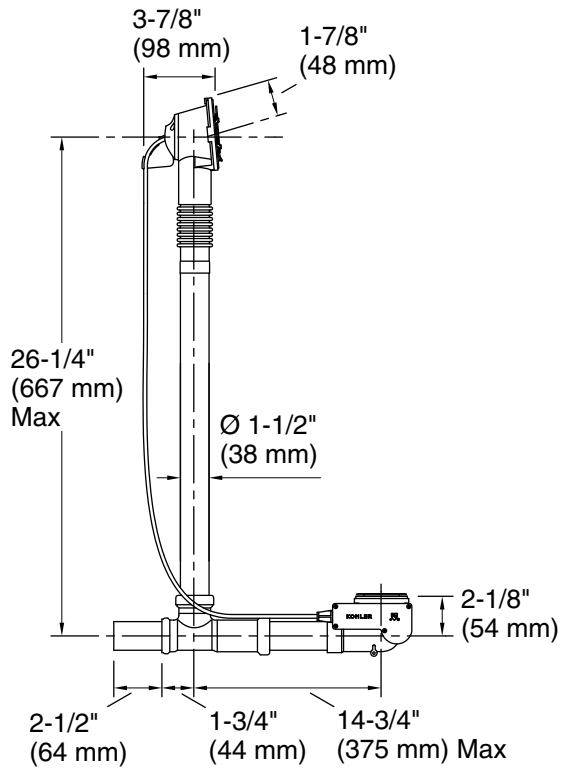


Codes/Standards

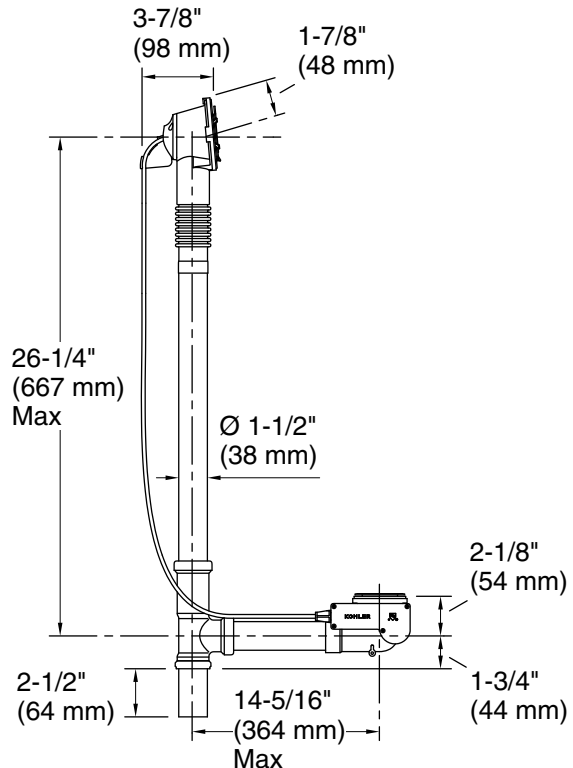
ASME A112.18.2/CSA B125.2

KOHLER® One-Year Limited Warranty

See website for detailed warranty information.



Above-the-Floor



Through-the-Floor

Technical Information

All product dimensions are nominal.

Material: Brass

Height: 26-5/16" (668 mm)

Notes

Install this product according to the installation instructions.