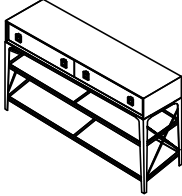






HEKMAN®

X A HOWARD MILLER COMPANY

23808 SERVER

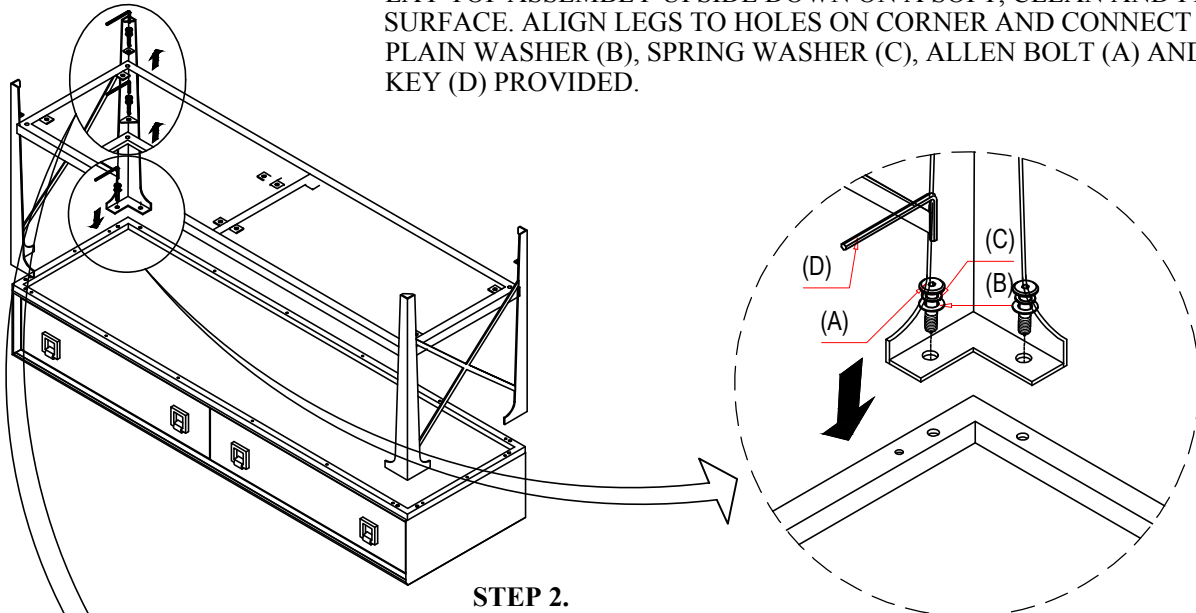
Hardware List

A	B	C	D	
ALLEN BOLT M6 X 20 (16 PCS.)	FLAT W. M6 16 PCS.	SPRING W. M6 16 PCS.	ALLEN KEY L4 (FOR ALLEN BOLT) 1 PC.	
				

Assembly Instruction

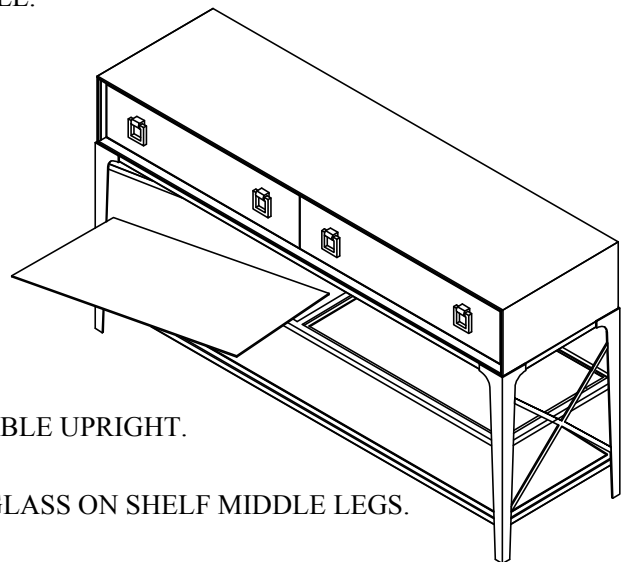
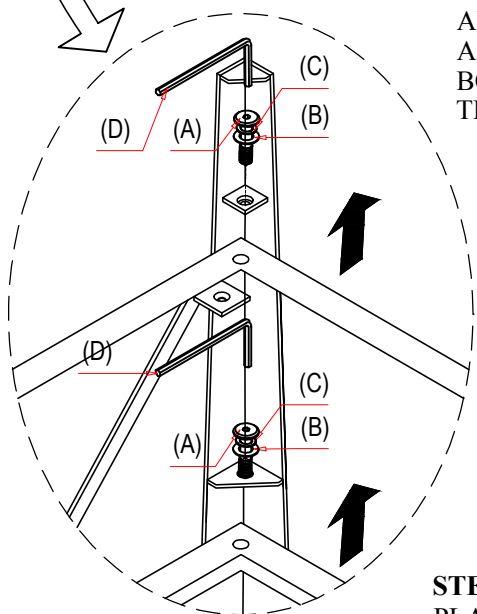
STEP 1.

LAY TOP ASSEMBLY UPSIDE DOWN ON A SOFT, CLEAN AND FLAT SURFACE. ALIGN LEGS TO HOLES ON CORNER AND CONNECT USING PLAIN WASHER (B), SPRING WASHER (C), ALLEN BOLT (A) AND ALLEN KEY (D) PROVIDED.



STEP 2.

ALIGN HOLES IN MIDDLE AND TOP SHELF WITH TABS ON THE LEGS. ASSEMBLE USING PLAIN WASHER (B), SPRING WASHER (C), ALLEN BOLT (A) AND ALLEN KEY (D) PROVIDED. TIGHTEN ALL.



STEP 3

TURN TABLE UPRIGHT.

STEP 4

PLACE THE GLASS ON SHELF MIDDLE LEGS.