

### Features

- Freestanding design creates a striking focal point in your bathing area
- Integral lumbar support on both ends
- 16" (406 mm) depth offers a deep soaking experience
- Wide deck along one side simplifies installation and provides support for getting in and out of bath
- Straight shroud
- Textured bottom surface

### Material

- Acrylic

### Installation

- Center drain
- Freestanding

### Required Products/Accessories

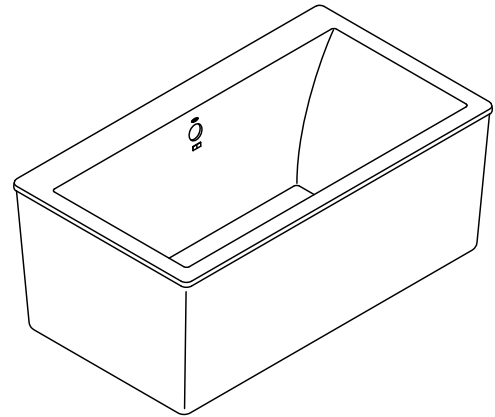
- K-T37391 Rotary-turn bath drain trim
- K-T37392 Rotary-turn bath drain trim

or

- K-78438 30" cable bath drain

### Recommended Products/Accessories

- K-7265 Brass toe tap bath drain
- K-T37393 Traditional rotary-turn bath drain trim
- K-T37395 Bath drain trim
- K-T37396 Traditional push-button bath drain trim
- K-23726 Drain treatment



### Codes/Standards

- CSA B45.5/IAPMO Z124
- ASTM E162
- ASTM E662

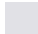
### KOHLER® Plastic Baths and Shower Bases Lifetime Limited Warranty

See website for detailed warranty information.

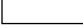
### Available Colors/Finishes

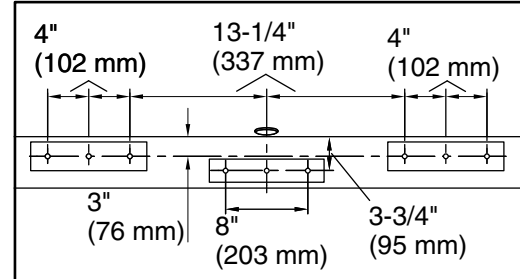
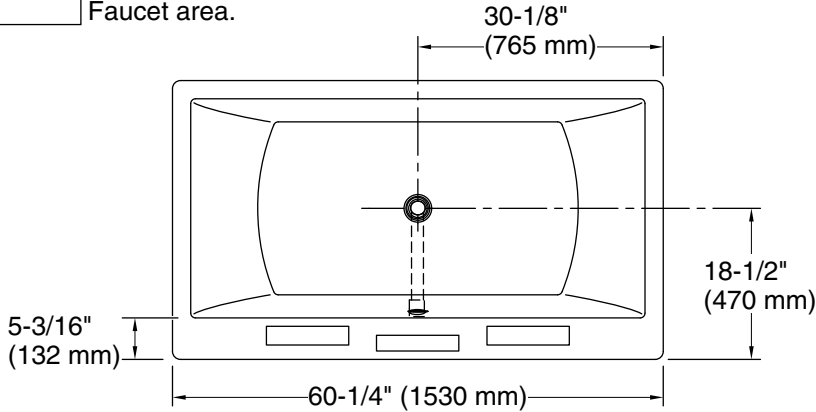
*Color tiles intended for reference only.*

#### Color Code Description

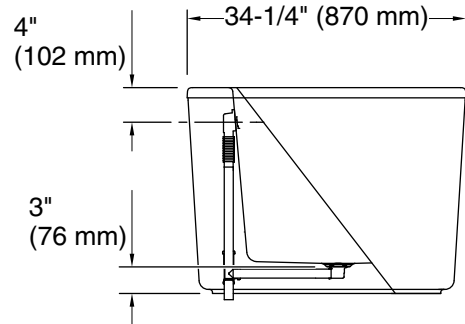
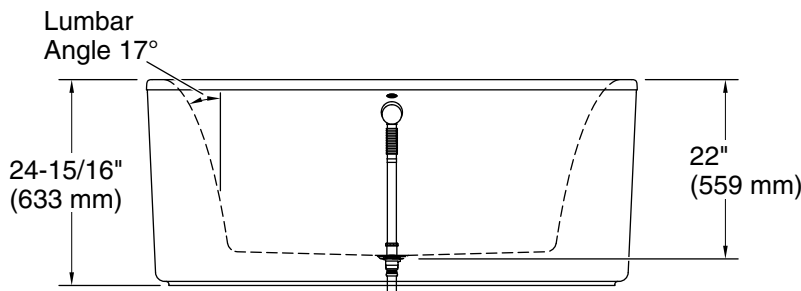
	0	White
---	---	-------

No change in measurements if connected with drain illustrated. (K-7265)

 Faucet area.



**Faucet Hole Locations  
(For KOHLER® Brand Only)**



### Technical Information

All product dimensions are nominal.

Drain location:	Center
Basin area, bottom:	40-5/16" x 22-1/2" (1024 mm x 572 mm)
Basin area, top:	49-3/8" x 25-7/8" (1254 mm x 657 mm)
Weight:	156 lbs (70.8 kg)
Minimum floor load:	54 lbs/ft <sup>2</sup> (263.7 kg/m <sup>2</sup> )
Water depth:	16-1/16" (408 mm)
Water capacity:	60 gal (227.1 L)
Template:	Footprint, 1364289, not required, not included

### Notes

Measure your actual product for rough-in details.

Install this product according to the installation instructions.

The hot water supply should be 70% of the capacity of the bath or greater. Installations will vary.