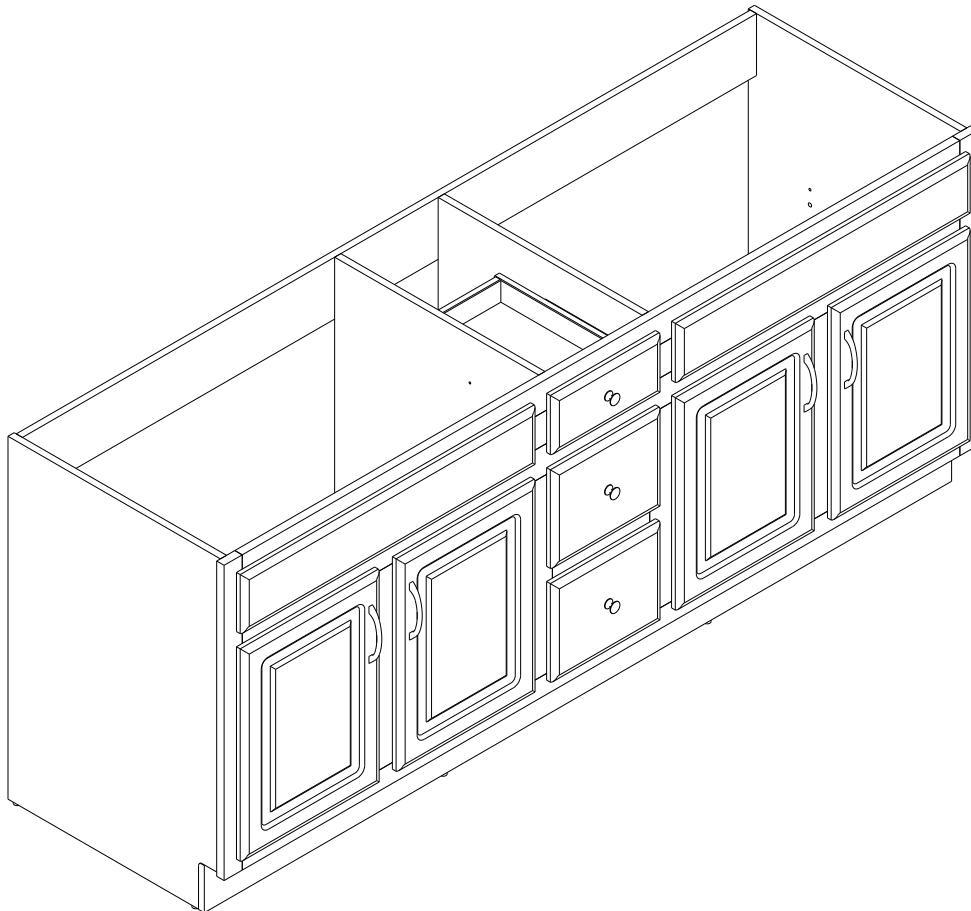




www.todaysdesignhouse.com

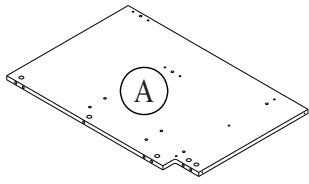


587048

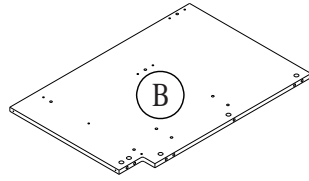
# Assembly Instructions

DHI Corp. 5205 W.Donges Bay Rd. Mequon, WI 53092 0800.558.8700

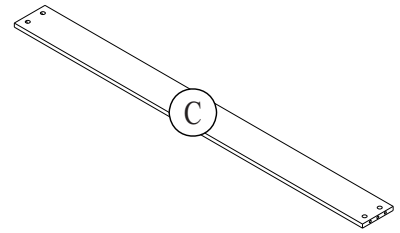
# PARTS LIST:



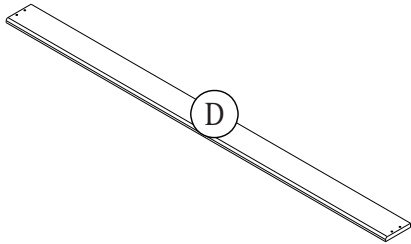
LEFT SIDE PANEL 1PC



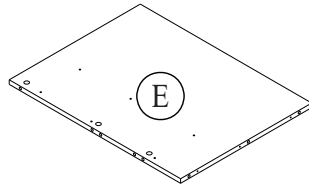
RIGHT SIDE PANEL 1PC



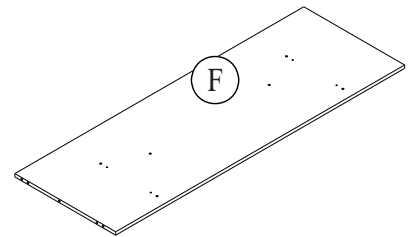
BACK UP CROSS  
BRACE 1PC



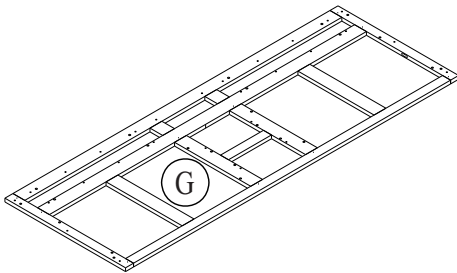
TOE KICK PANEL 1PC



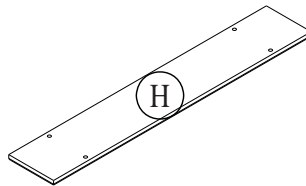
PARTITION PANEL 2PC



BOTTOM PANEL 1PC



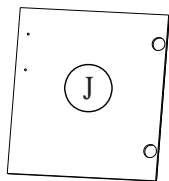
FRONT FRAME 1PC



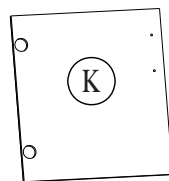
DRAWER FRONT  
FAKE 2PC



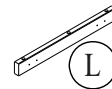
MIDDLE FOOT 2PC



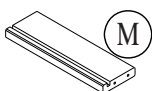
LEFT SIDE DOOR 2PC



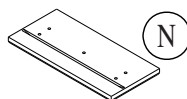
RIGHT SIDE DOOR 2PC



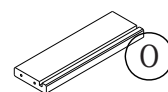
SUPPORTER DOOR  
HINGE 4PCS



DRAWER RIGHT  
PANEL 1PCS

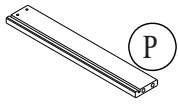


SMALL DRAWER  
FRONT PANEL 1PCS

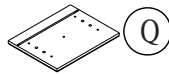


DRAWER LEFT  
PANEL 1PCS

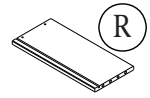
# PARTS LIST



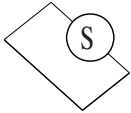
DRAWER BACK  
PANEL 1PC



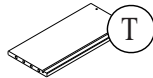
DRAWER FRONT  
PANEL 2PCS



DRAWER RIGHT  
PANEL 2PCS



DRAWER BOTTOM  
PANEL 3PCS

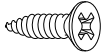


DRAWER LEFT  
PANEL 2PCS

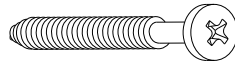


DRAWER BACK  
PANEL 2PCS

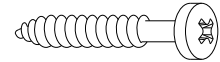
# HARDWARE LIST:



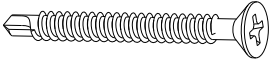
a. 0.55" L FLAT HEAD  
SCREW 64PCS



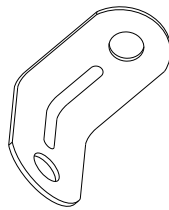
b. 1.9" L ROUND HEAD  
SCREW 12PCS



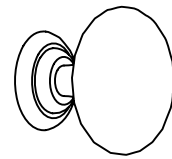
c. 1.18" L ROUND HEAD  
SCREW 28PCS



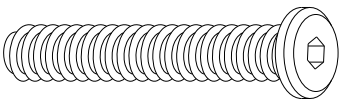
d. 1.6" L FLAT HEAD  
SCREW 8PCS



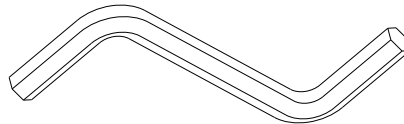
e. STEEL CORNER 2PCS



f. KNOB 3PCS



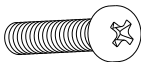
g. 1.96" SCREW  
ALLEN 2PCS



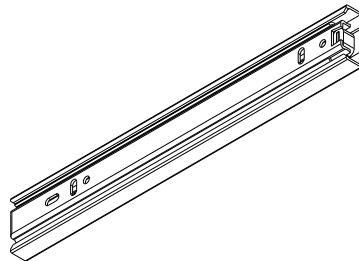
h. ALLEN 1PCS



i. 1.18" DOWEL 40 PCS



j. HANDLE (KNOB)  
BOLT 8PCS



k. DRAWER GUIDE 6PCS

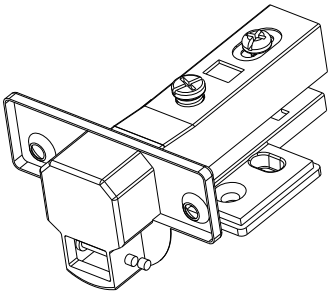


l. 0.78" DOWEL 8PCS

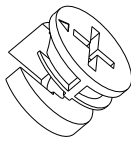
# HARDWARE LIST:



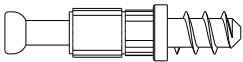
m. 0.39" L FLAT HEAD  
SCREW 12PCS



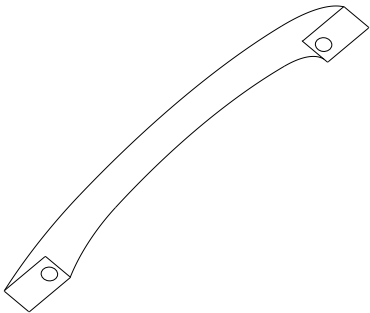
n. HINGE DOOR 8PCS



o. DRUM 38PCS

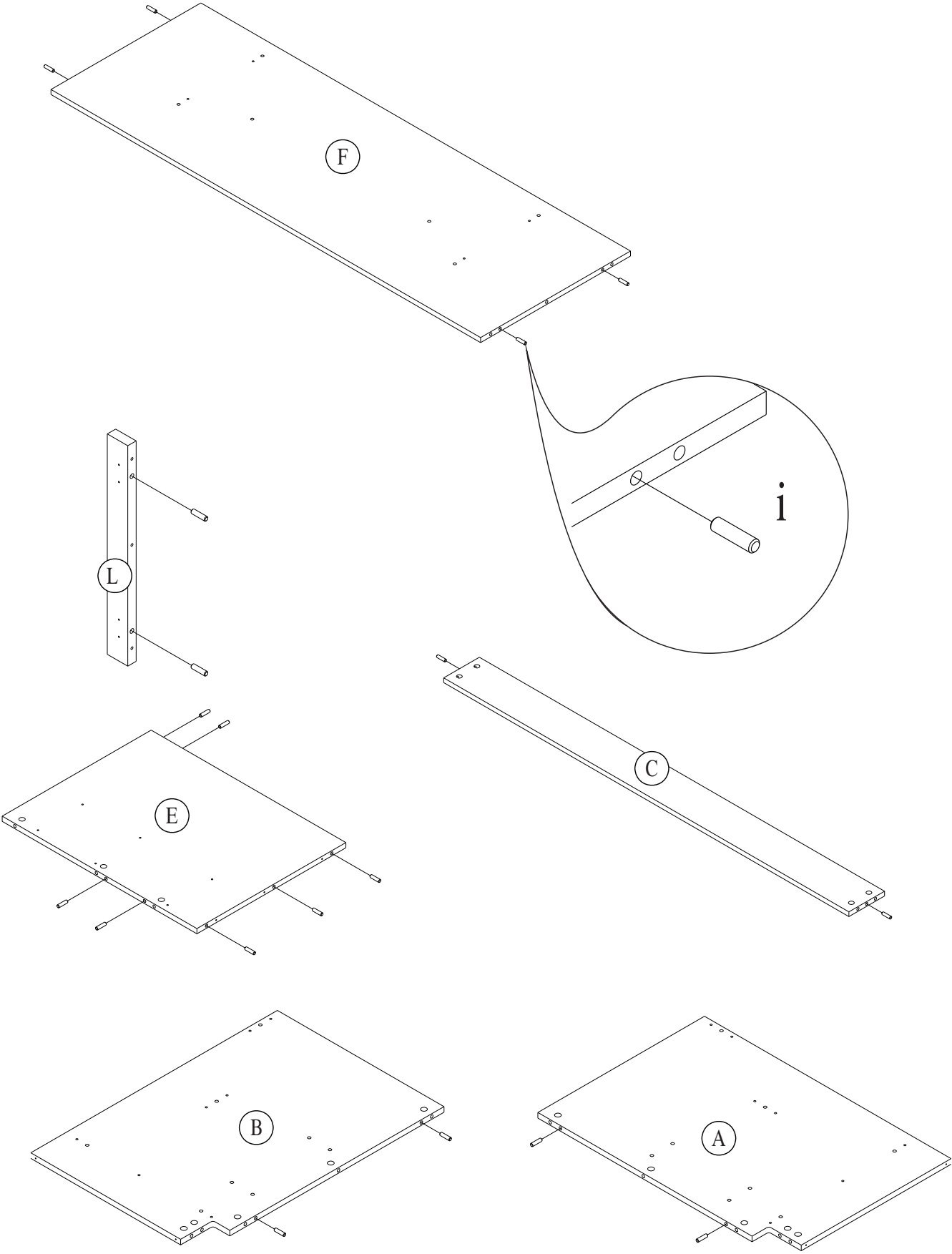


p. STEM 38PCS

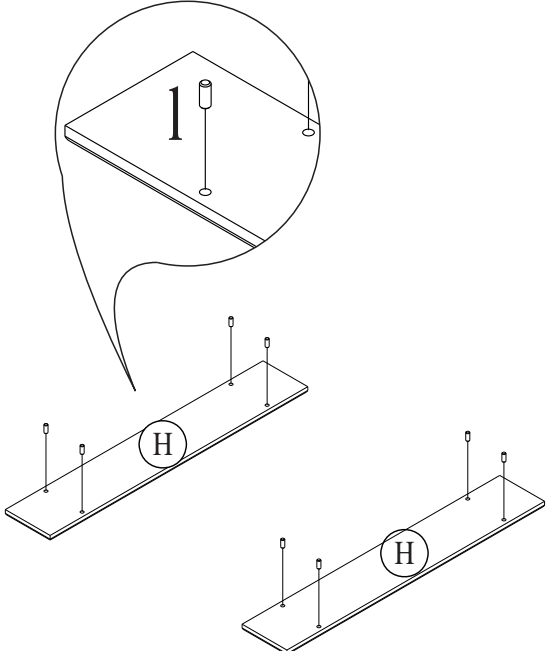


q. HANDLE 4PCS

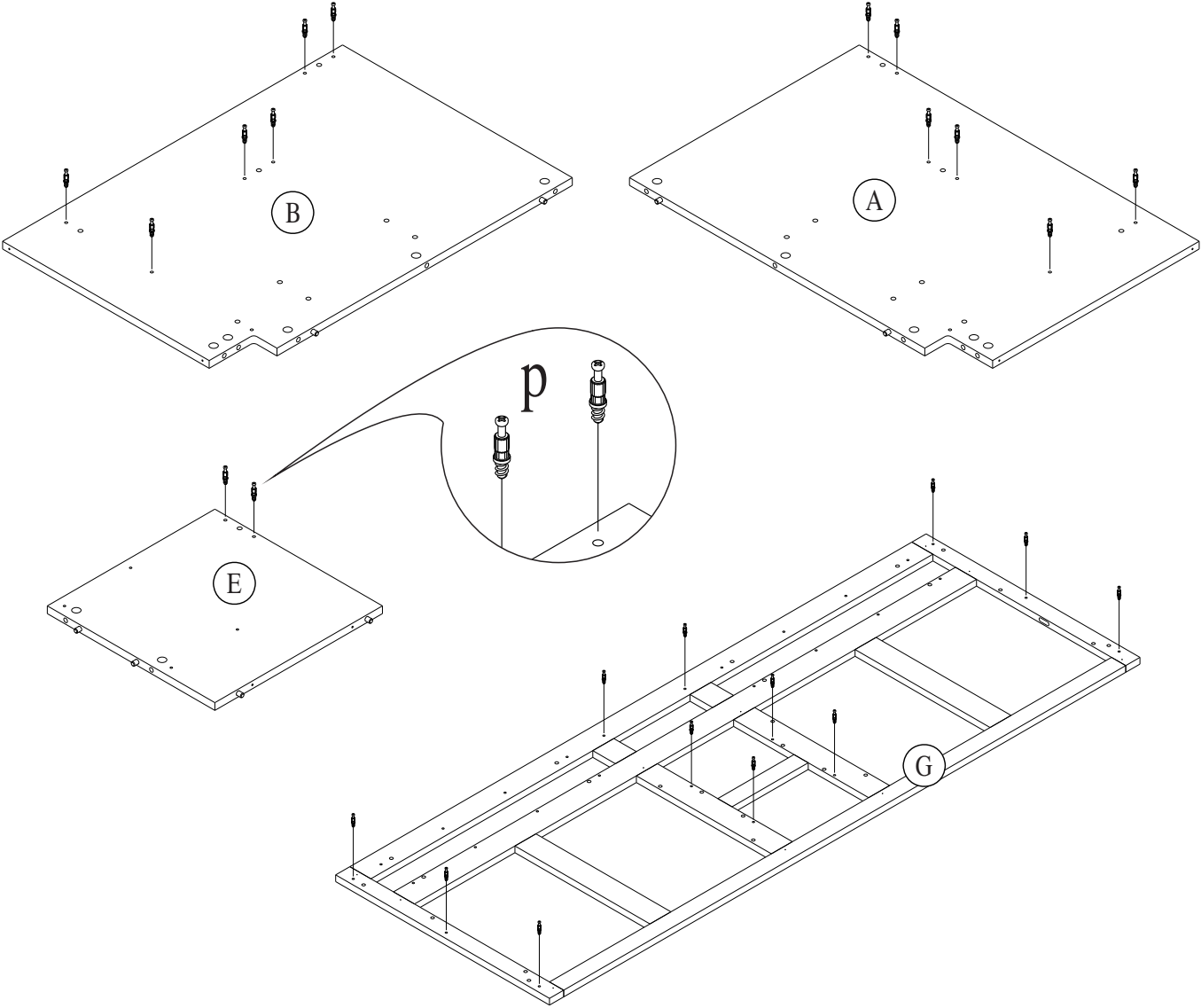
# STEP 1



# STEP 2

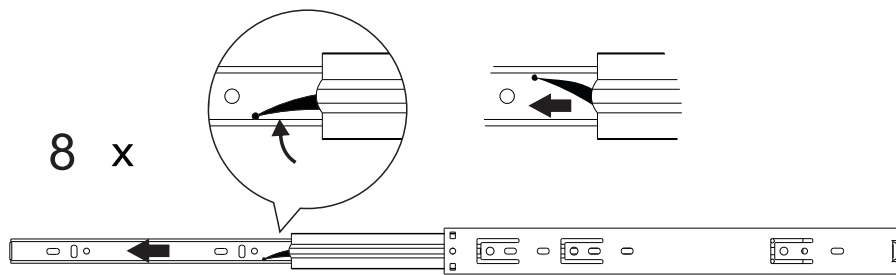


# STEP 3

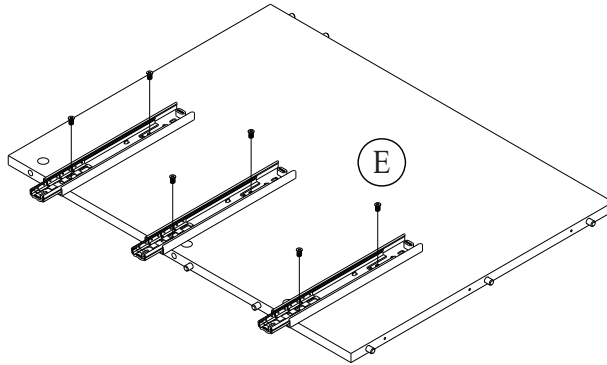


# STEP 4

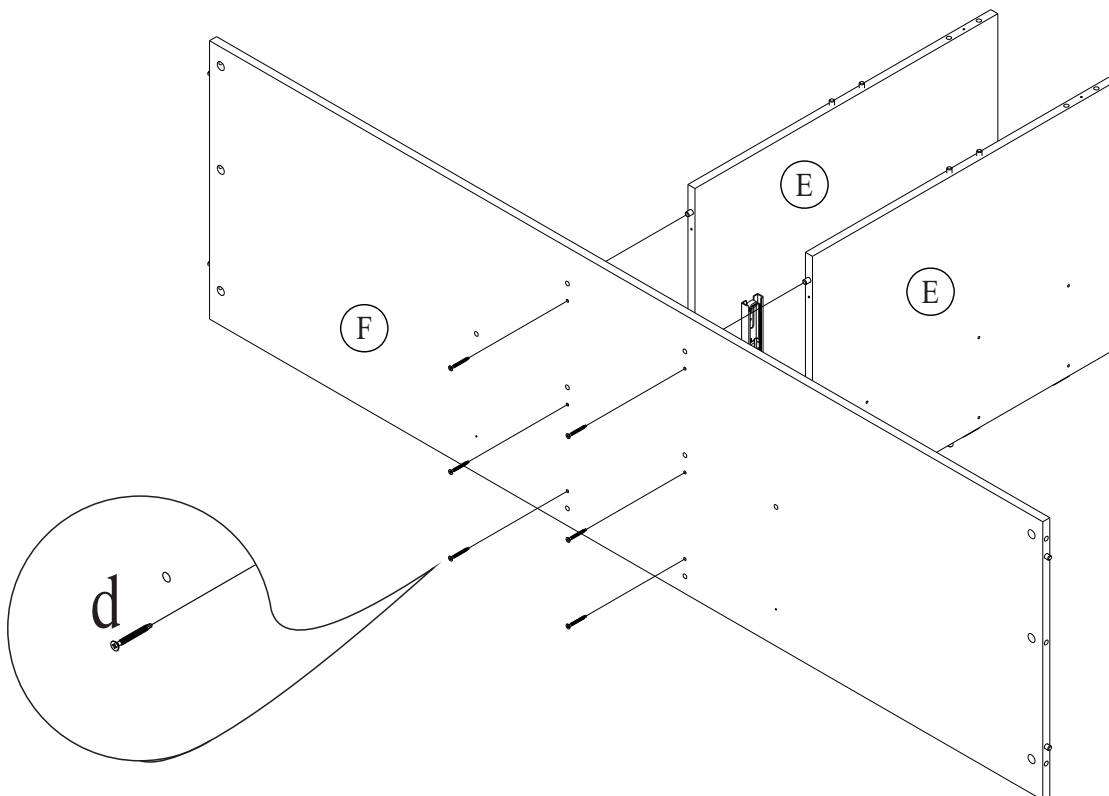
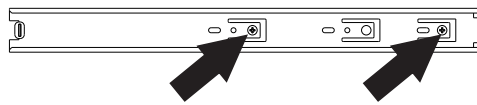
8 x



k

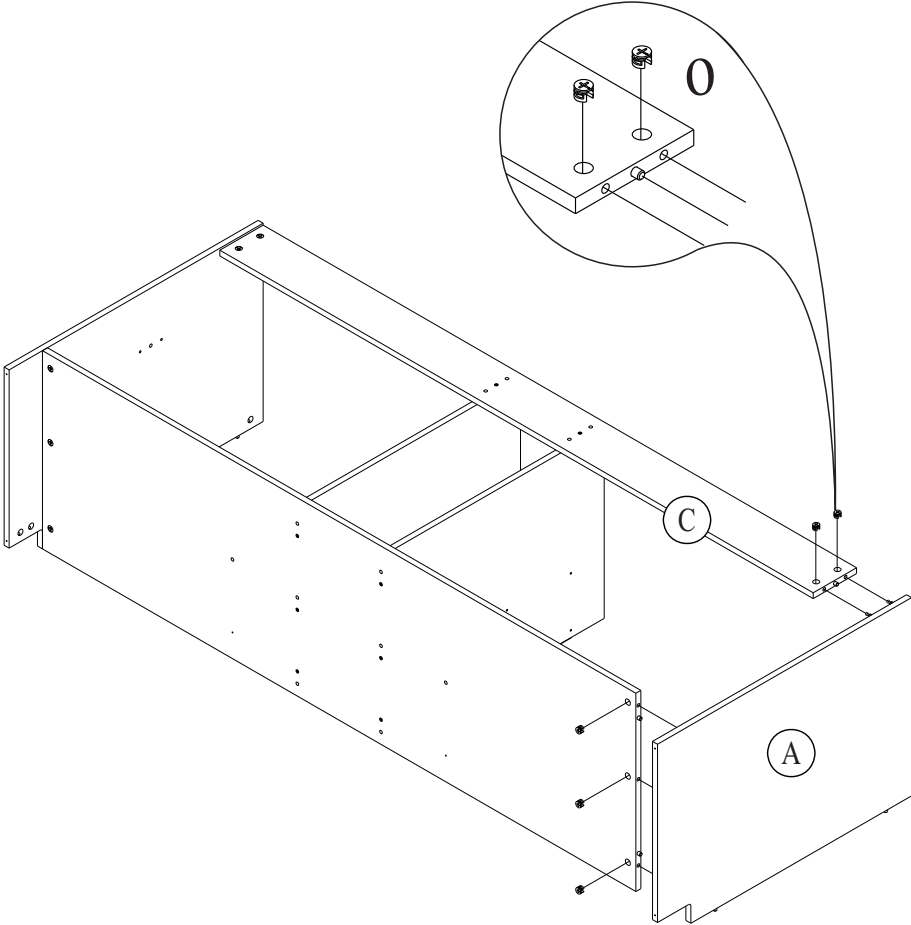
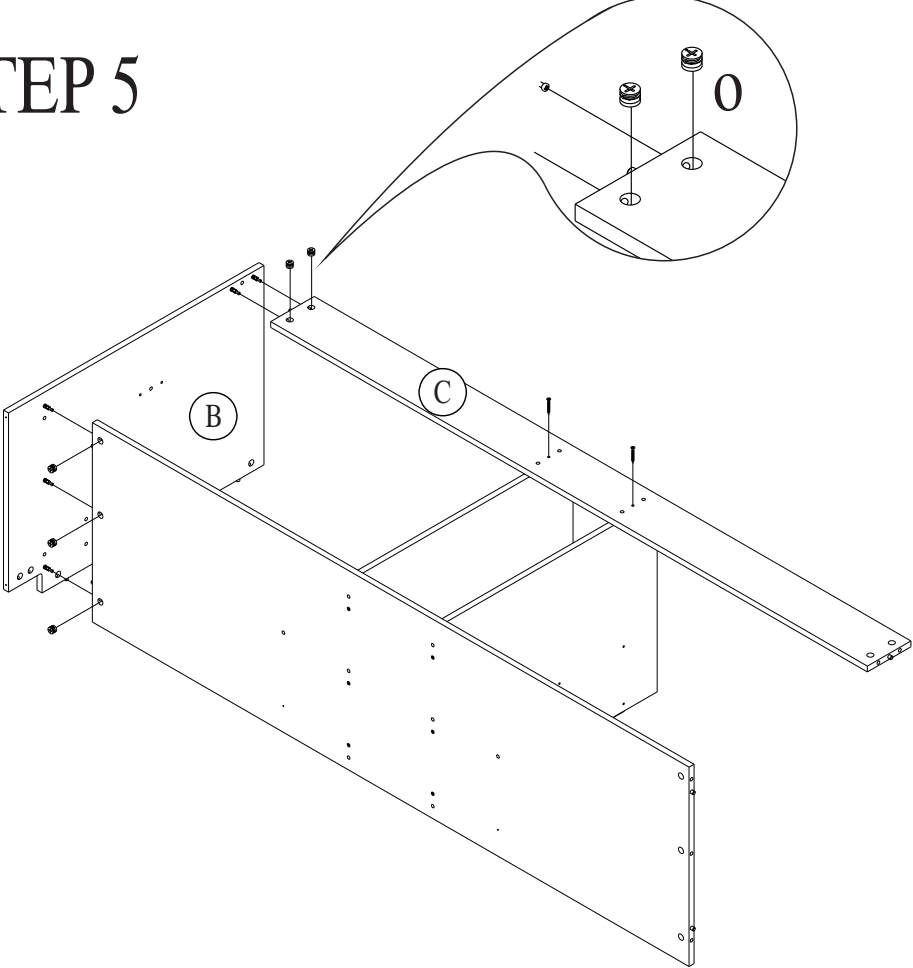


k

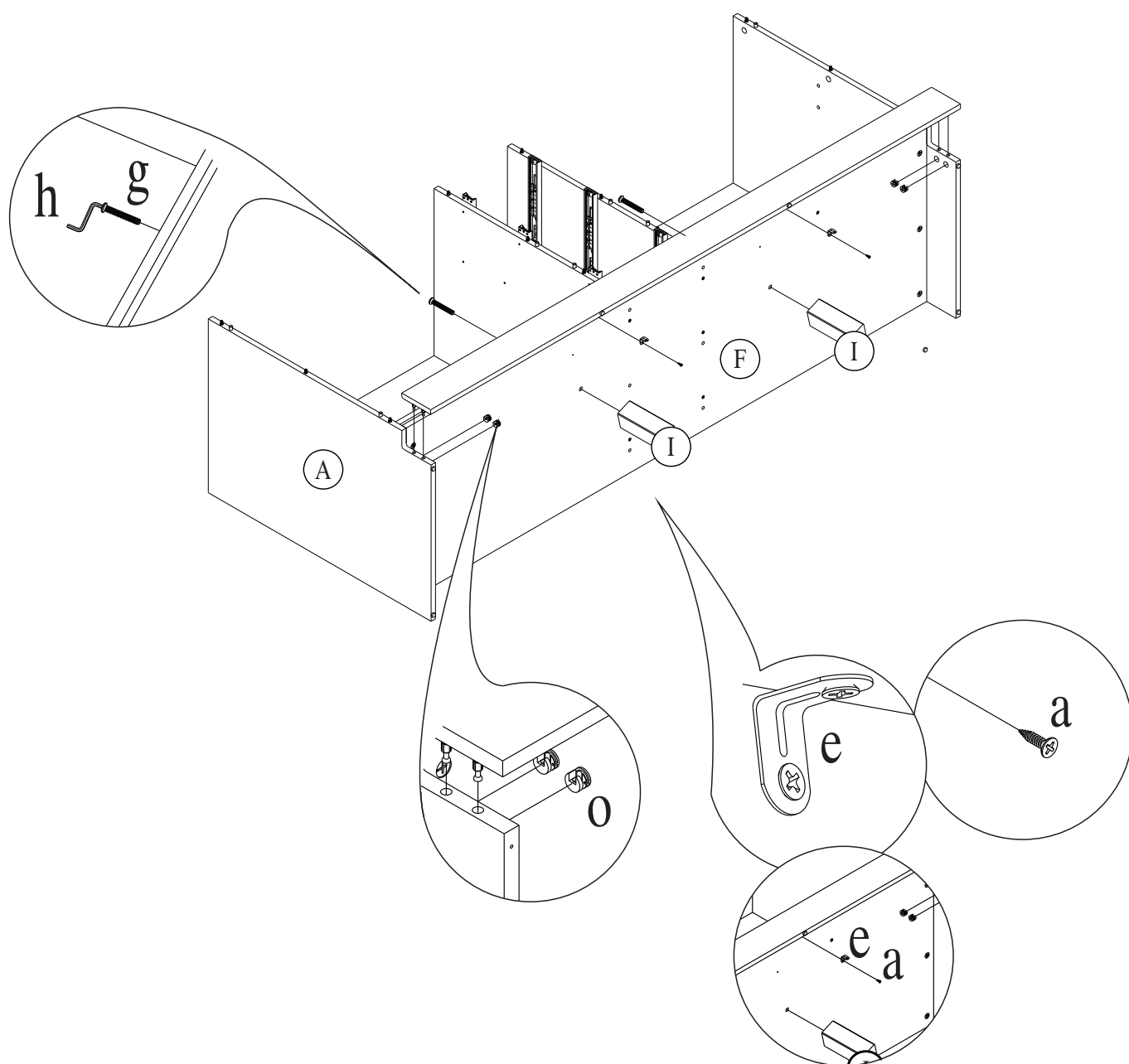




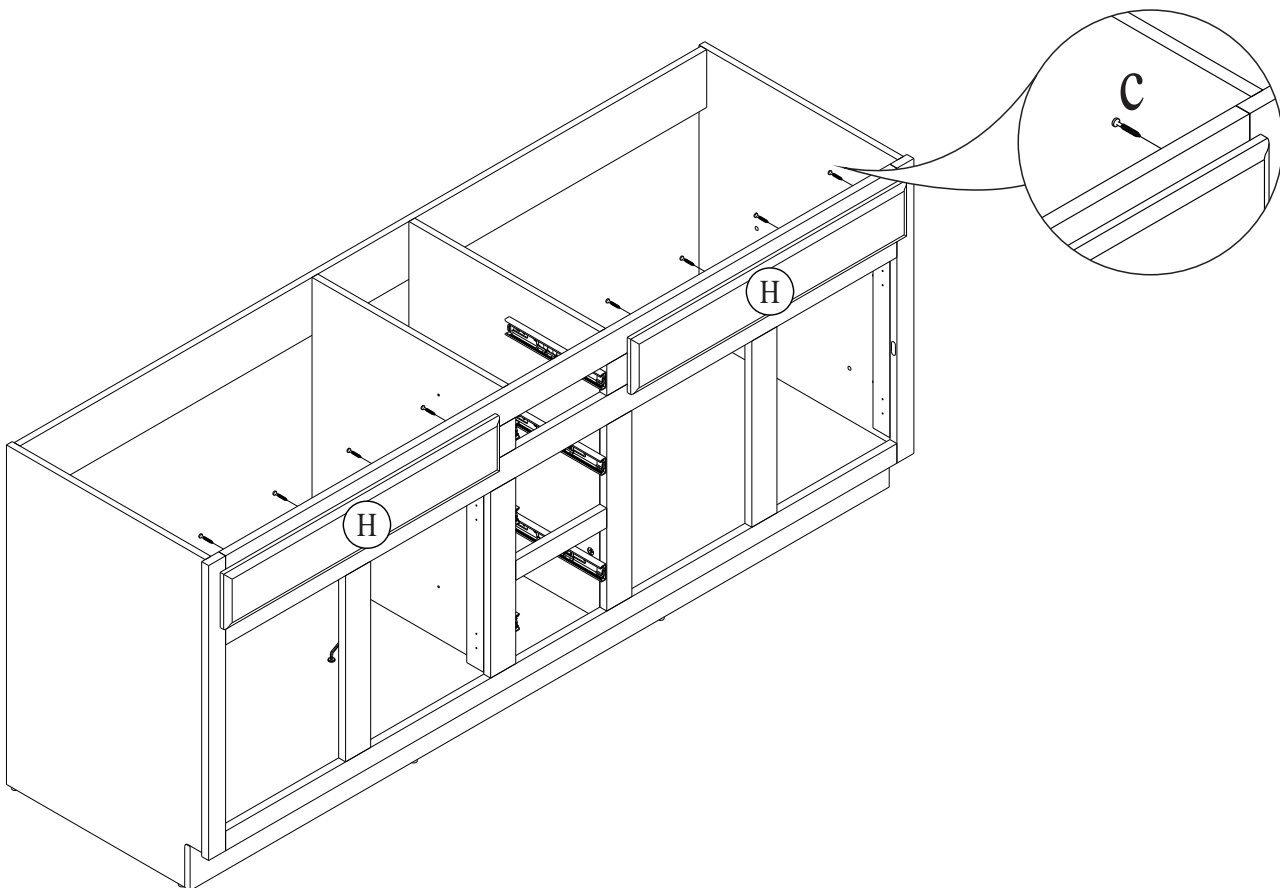
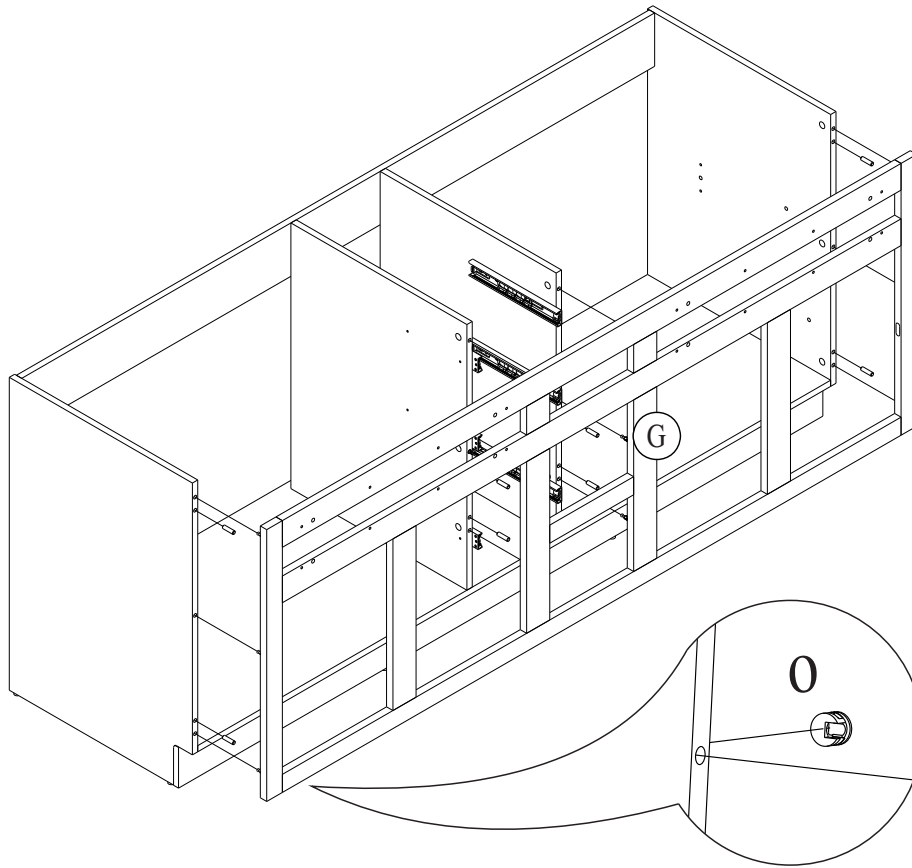
# STEP 5



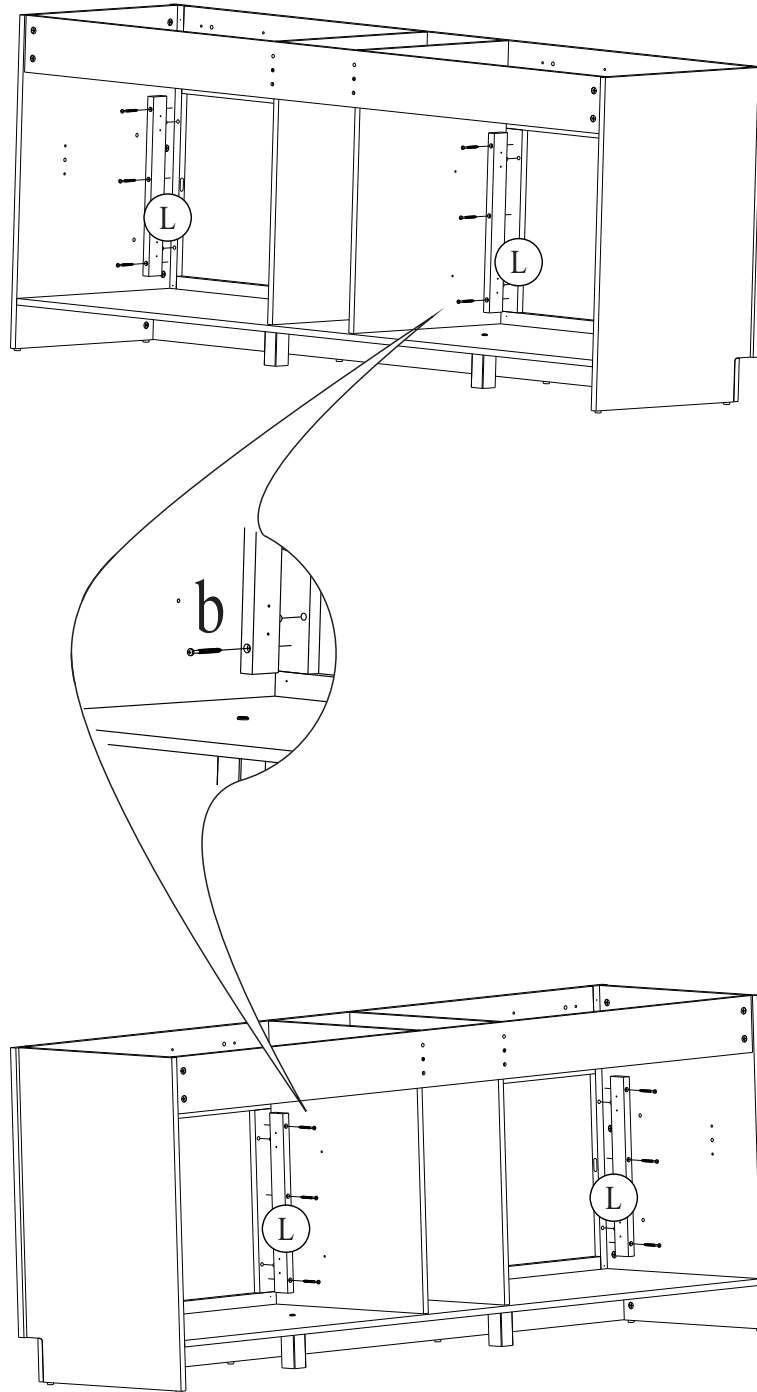
# STEP 6



# STEP 7

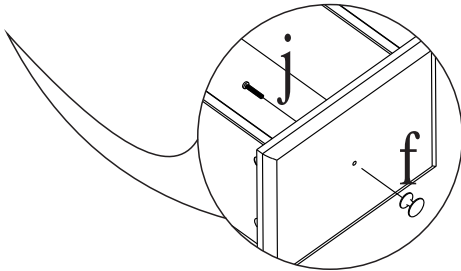
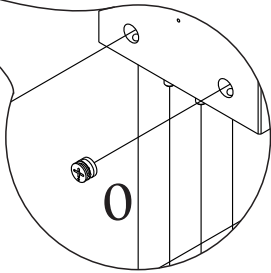
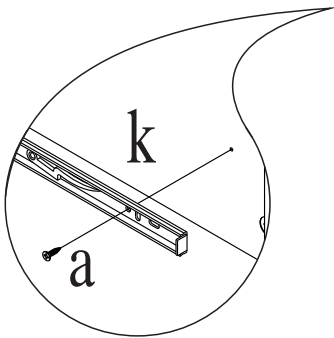
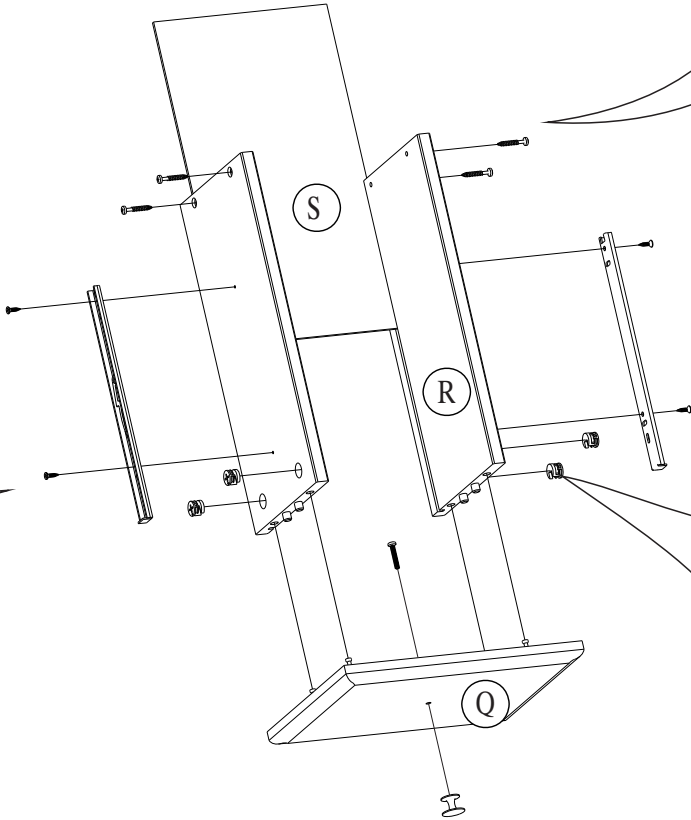
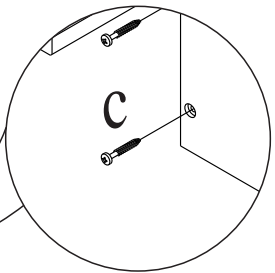
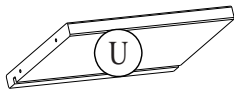
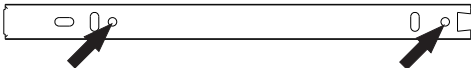


# STEP 8



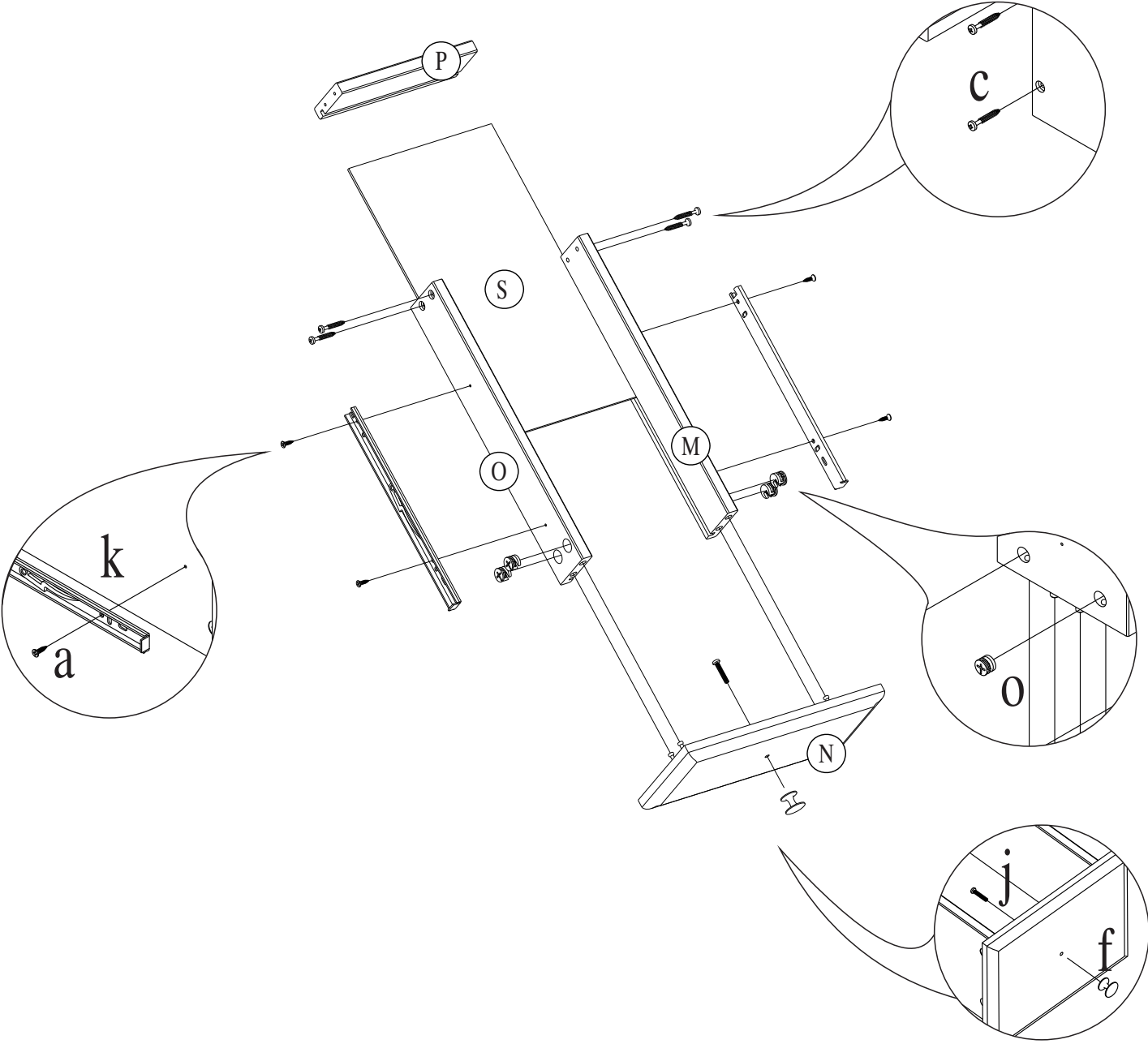
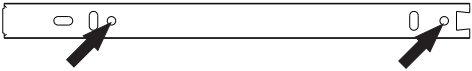
# STEP 9

k

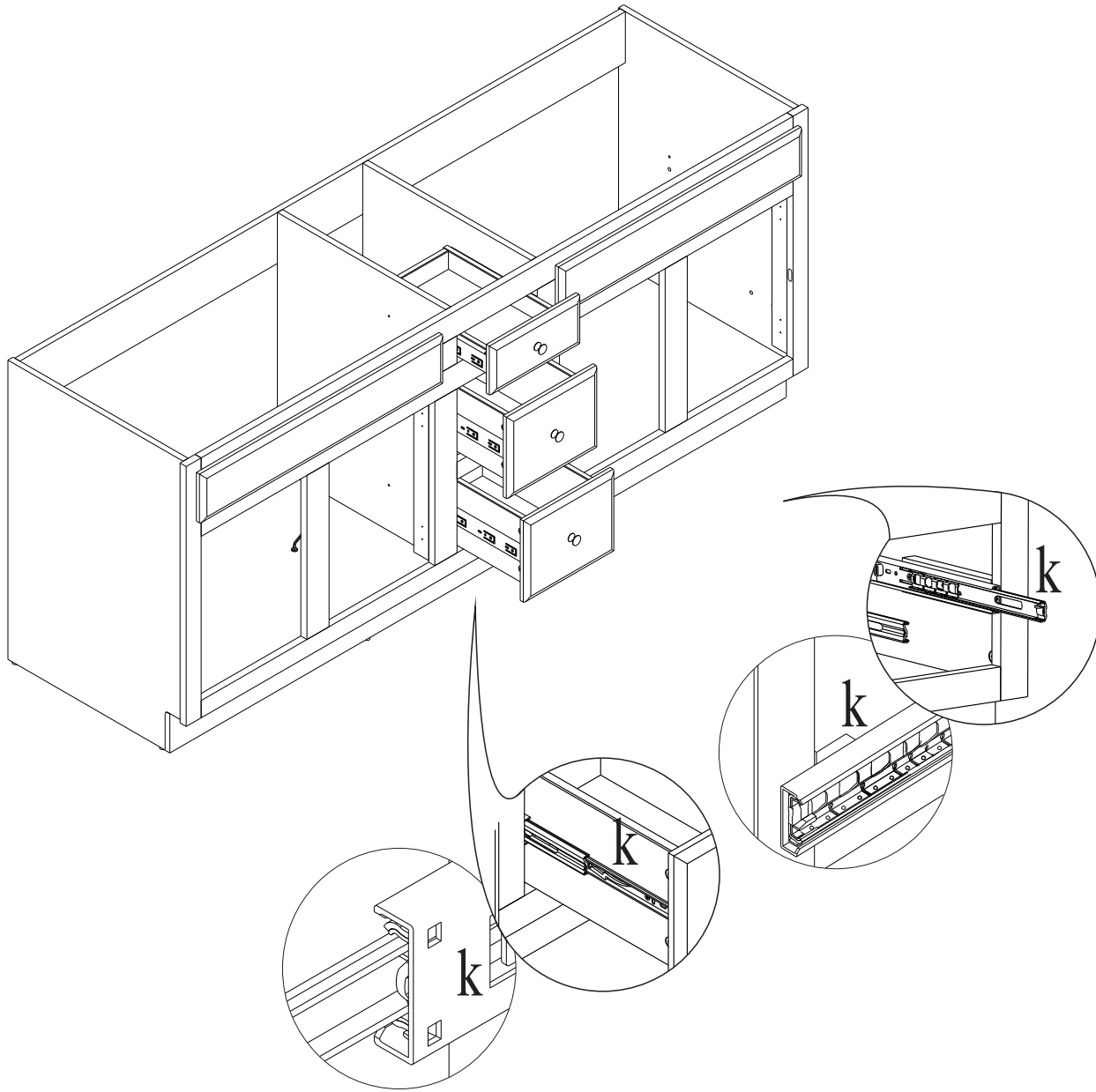


# STEP 10

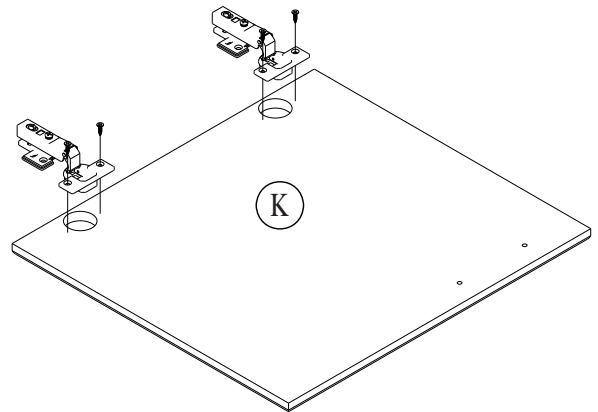
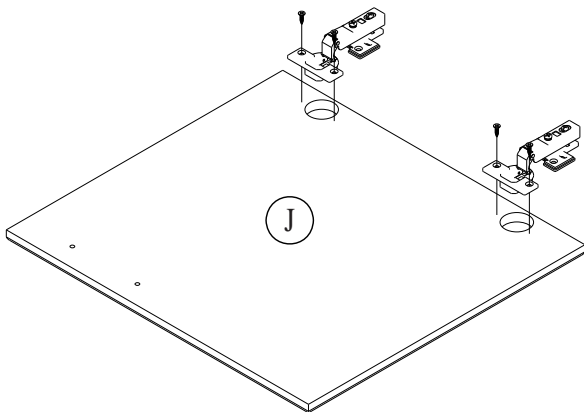
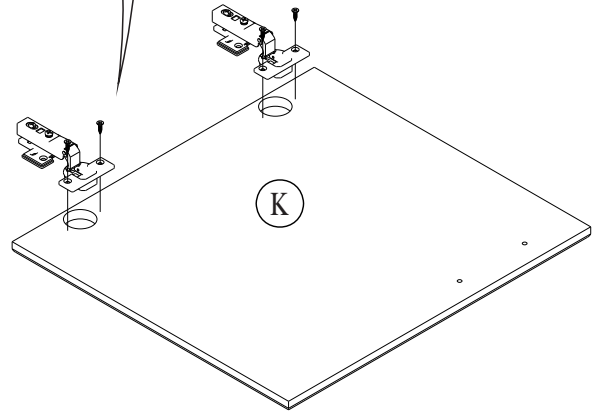
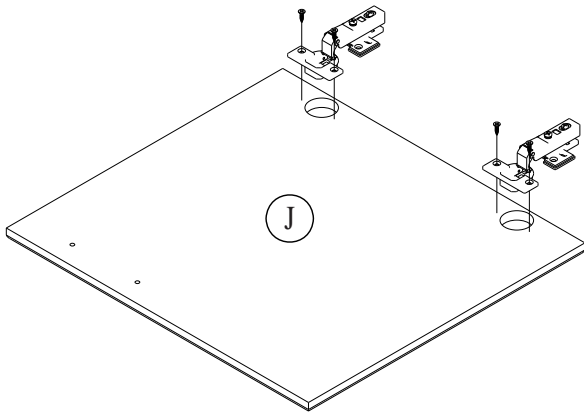
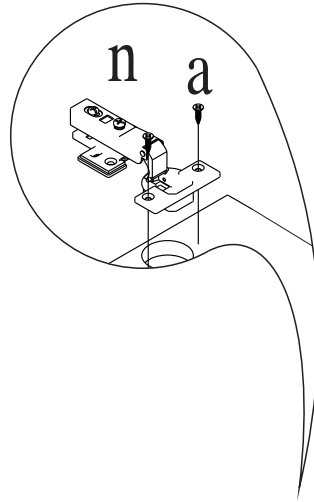
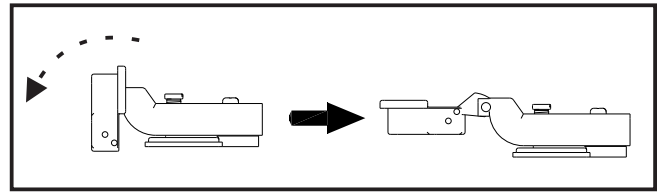
k



# STEP 11



# STEP 12





# STEP 13

