

HEKMAN

A HOWARD MILLER COMPANY

ASSEMBLY INSTRUCTIONS

7-9107 WRITING DESK

NO.	Hardware List	Qty
A	Bolt 5/16"Dia	11
B	Lock Washer 5/16"Dia	11
C	FLAT Washer 5/16"Dia	11
D	Wood Screw	40
E	BOLT COVER CAPS	9

Note: Tools required screw driver

- 1) UNPACK (2) CARTONS , LOCATE LISTED HARDWARE AND POSITION PARTS .
- 2) ATTACH THE FEET TO THE LH PEDESTAL AS INDICATED IN DIAGRAM A.
- 3) ALIGN LH PEDESTAL AND LH BACK PANEL BOLTING AS INDICATED IN DIAGRAM " B".
- 4) REPEAT SEQUENCE WITH RH PEDESTAL AND RH BACK PANEL.
- 5) REMOVE UPPER END AND BACK CAPS FROM LH PEDESTAL. SEE DIAGRAM "A" THIS IS ACCOMPLISHED BY FIRST SLIDING THE END CAP TO THE BACK OF THE PEDESTAL THEN SLIDE THE REAR CAP TOWARDS THE OUTSIDE OF PEDESTAL.
- 6) REPEAT SEQUENCE WITH RH PEDESTAL CAPS. SEE DIAGRAM "A"
- 7) PLACE THE TOP UPSIDE DOWN ON A SOFT SURFACE TO PREVENT DAMAGE. ATTACH THE CENTER DRAWER MATCHING THE COLORED DOTS FOR CORRECT POSITION. INSERTING SCREWS THROUGH BRACKET OF DRAWER RUNNER INTO SCREW HOLES IN TOP. SEE DIAGRAM "C".
- 8) ALIGN LH TOP ASSEMBLY ON LH PEDESTAL AND BACK AS INDICATED IN DIAGRAM " D".
- 9) ATTACH TOP, INSERTING SCREWS THROUGH METAL BRACKETS. THE PENCIL DRAWER CAN SLIDE FORWARD TO REACH REAR BRACKETS .
- 10) REPEAT SEQUENCE WITH RH TOP ASSEMBLY.
- 11) ALIGN LH DESK ASSEMBLY AND RH DESK ASSEMBLY. TABLE PINS WILL ALIGN DESK AT CONNECTING JOINT AS INDICATED IN DIAGRAM " D".
- 12) CLOSE TABLE LOCKS FROM UNDERSIDE TO DRAW DESK TIGHT. DIAGRAM "E"
- 13) INSERT LONG BOLTS INTO INSIDE REAR CORNER TO SECURE ASSEMBLY.
- 14) REPLACE PEDESTAL REAR CAPS FOLLOWED BY THE PEDESTAL END CAPS .
- 15) INSERT HOLE PLUGS TO COVER BOLT HEADS.
- 16) INSTALL SPACE BLOCK BETWEEN PENCIL DRAWERS. USE SHORT BOLTS SECURING BLOCK FROM UNDERSIDE OF TOP. AS INDICATED IN DIAGRAM " E".

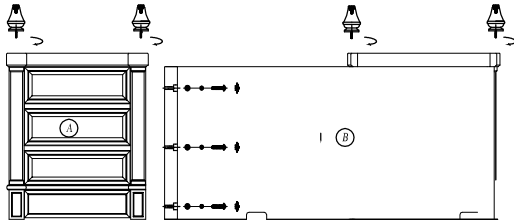


DIAGRAM "A"

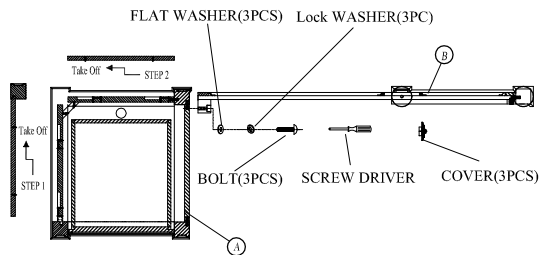


DIAGRAM "B"

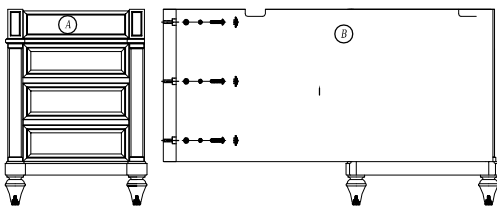


DIAGRAM "C"

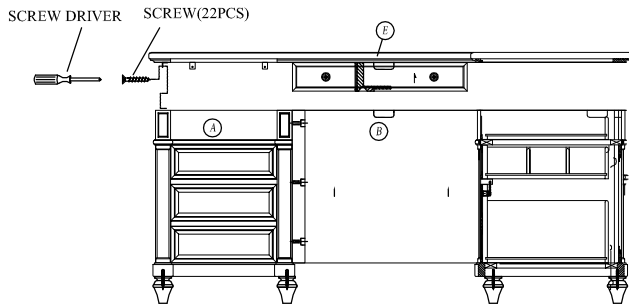
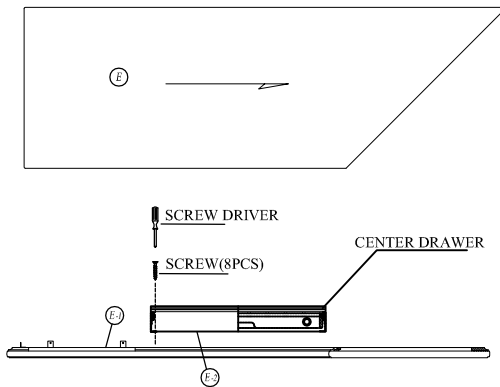


DIAGRAM "D"

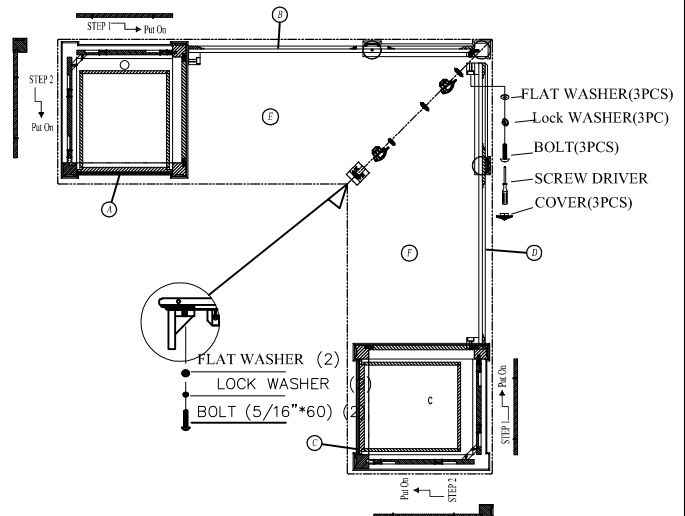


DIAGRAM "E"