

# MIST

## 1220TT

### MEDIUM WALL MOUNT LANTERN

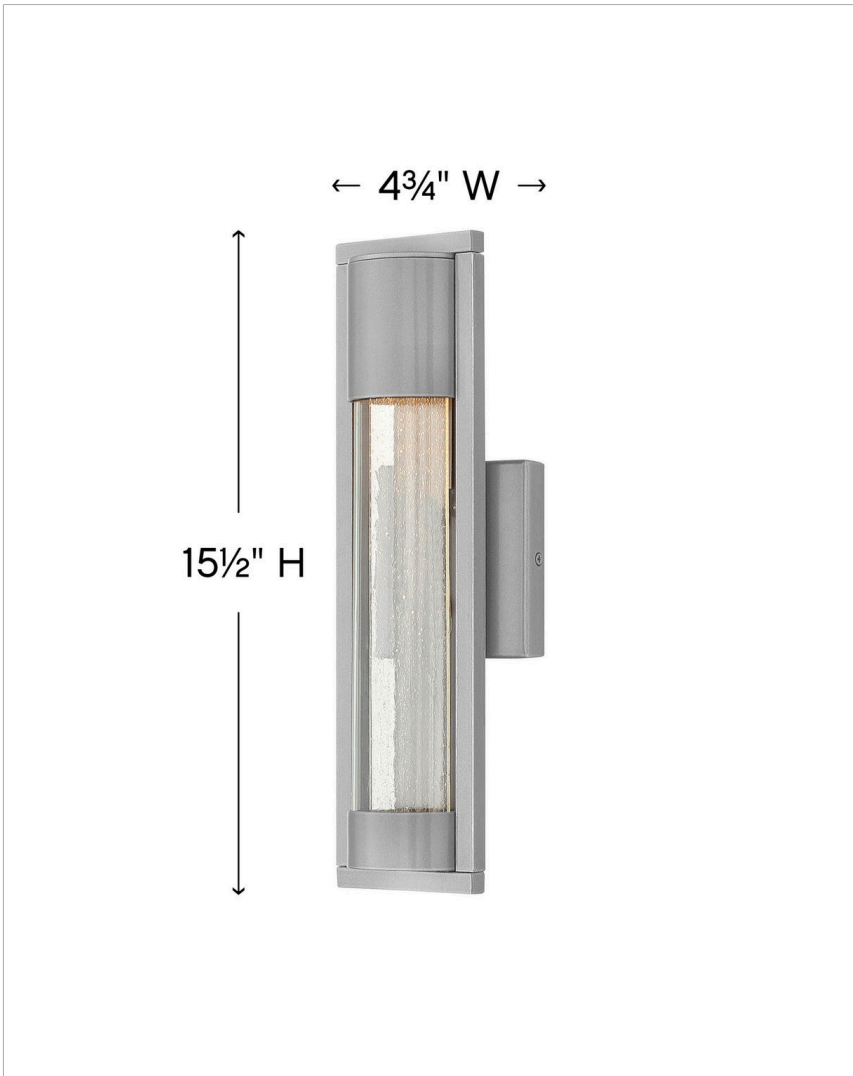
The sleek design of the Mist collection discreetly emphasizes its contemporary heritage, featuring a prominent interior panel of clear seedy glass captured on both ends and encased in a protective clear acrylic cylinder. Its solid aluminum construction is underscored by bold Satin Black and Bronze finish options. Mist is both Dark Sky and ADA compliant.

DETAILS	
FINISH:	Titanium
MATERIAL:	Aluminum
GLASS:	Clear Acrylic Outside Cylinder & Seedy Glass Inside Panel
DIMMABLE:	YES, WITH DIMMABLE LAMP (NOT INCLUDED)

DIMENSIONS	
WIDTH:	4.8"
HEIGHT:	15.5"
WEIGHT:	3.5lb
BACK PLATE:	4.75" Sq.
EXTENSION:	4"
TOP TO OUTLET:	7.75"

LIGHT SOURCE	
LIGHT SOURCE:	Socketed
WATTAGE:	1-7w GU10 LED, 50w Equiv.
VOLTAGE:	120v

SHIPPING	
CARTON LENGTH:	8
CARTON WIDTH:	8
CARTON HEIGHT:	19
CARTON WEIGHT:	4.5



#### PRODUCT DETAILS:

- For LED lamping, a 6.5w GU10 LED bulb is recommended: GU10LED-3K
- Suitable for use in wet (outdoor direct rain) locations as defined by NEC and CEC. Meets United States UL Underwriters Laboratories & CSA Canadian Standards Association Product Safety Standards
- 2-year finish warranty
- ADA compliant
- Bold lines and a clean, minimalist style complement contemporary architecture
- Mounting hardware is hidden on the back plate to ensure a clean silhouette
- Fixture is Dark Sky compliant and engineered to minimize light glare upward into the night sky