

# ASSEMBLY INSTRUCTION

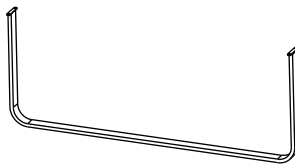
## E776-30 WOOD TOP COFFEE TABLE

**A** Wood Top



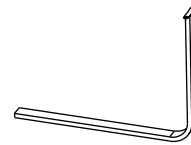
1pc

**B** Large Panel



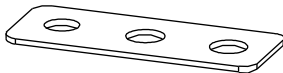
1pc

**C** Small Panel



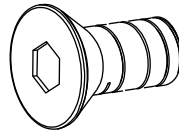
2pcs

**D** Metal Sheet



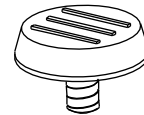
1pc

**E** Bolt  
1/4" x 5/8"



11pcs

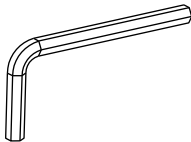
**F** Leveler  
10mm



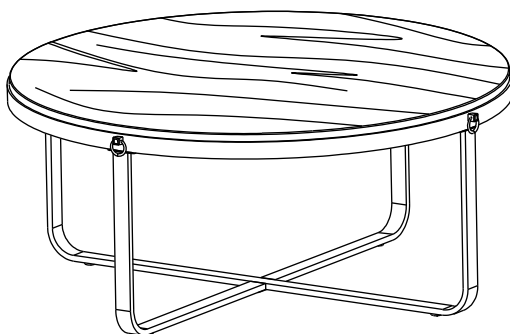
4pcs

**G** Allen Wrench

1/4"



1pc

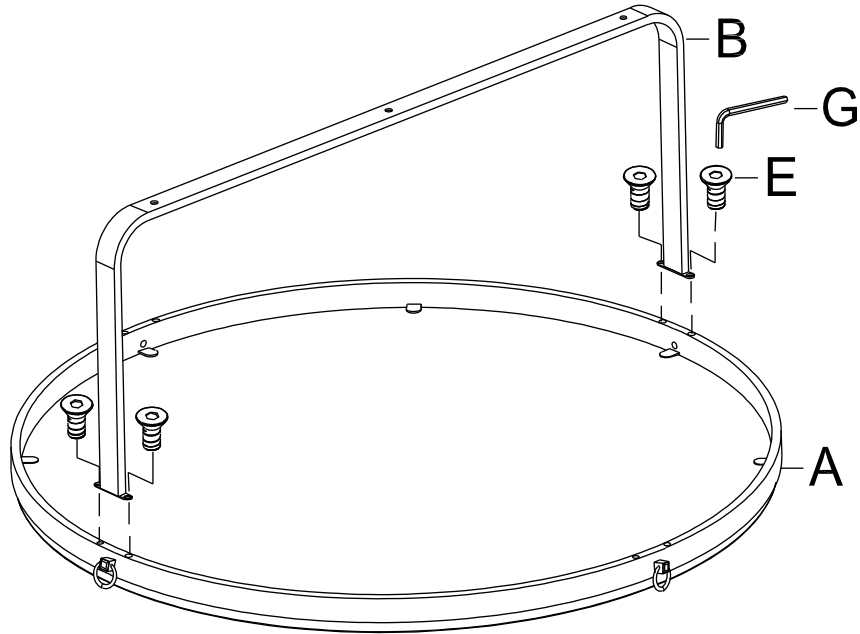


This page lists all the contents included in the box. Please take the time to identify the hardware as well as the individual components to this product. As you unpack and prepare for assembly, place the contents on a carpeted or padded area to protect them from damage.

**\*\*\* Do not tighten screws & bolts until the entire unit is completely assembled.**

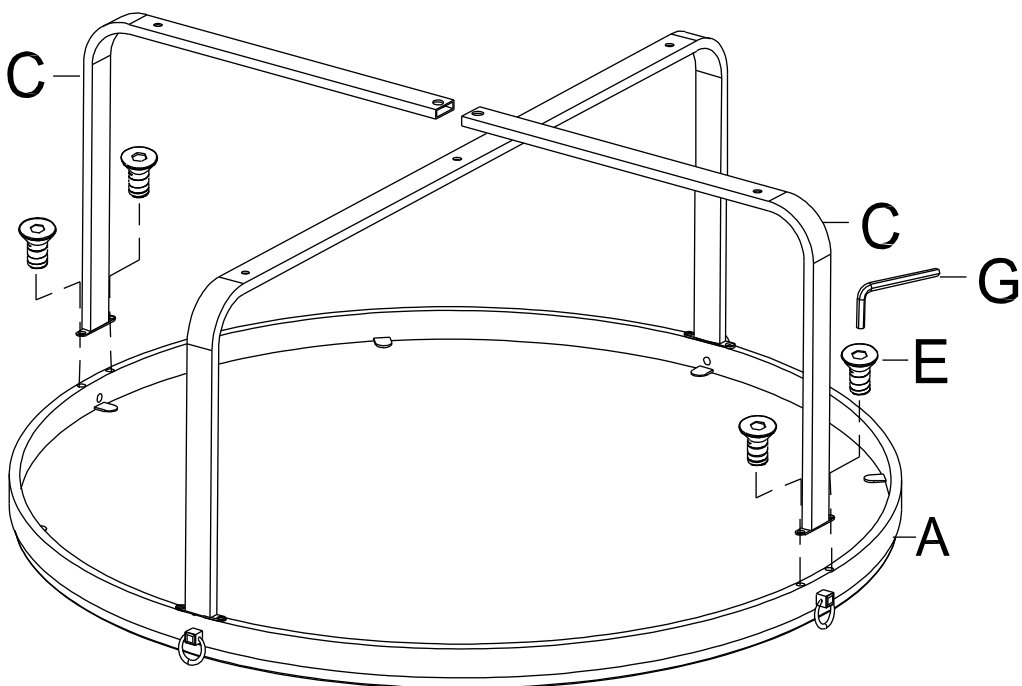
**1**

Attached Large Panel (B) to Wood Top (A) by Bolt (E) and Allen Wrench (G) as shown.



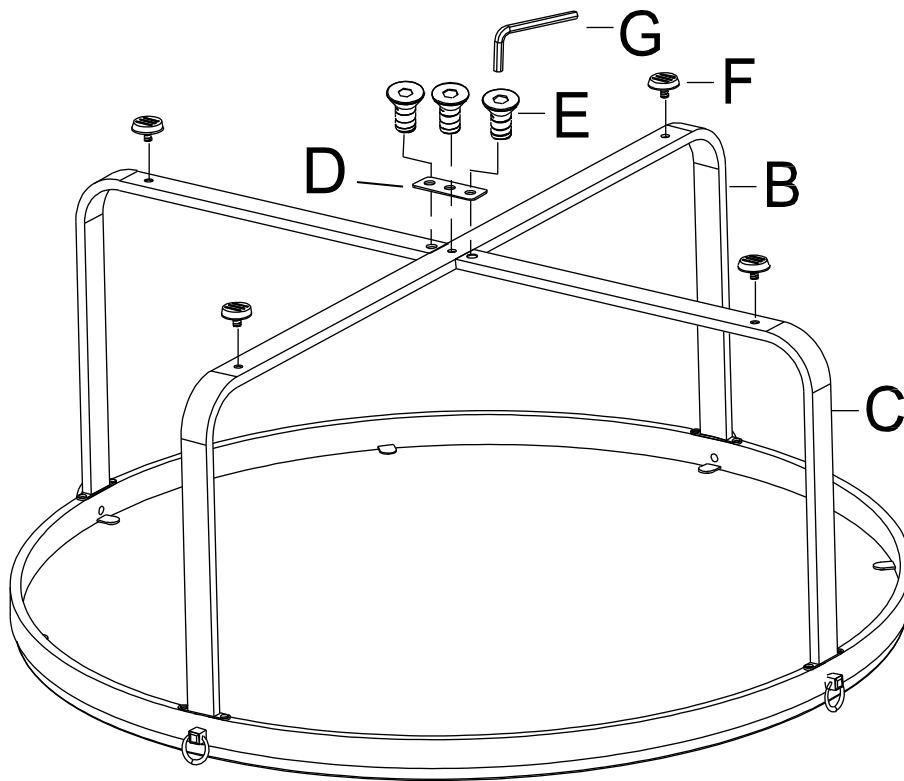
**2**

Attached two Small Panels (C) to Wood Top (A) by Bolt (E) and Allen Wrench (G) as shown.



**3**

Attached Metal Sheet (D) to Large Panel (B) and Small Panel (C) by Bolt (E) and Allen Wrench (G), then attach Leveler (F) to the assembled panel as shown.



---

### Cleaning & Care

Treat surface with care. Surface is resistant to scratches but is not scratch resistant. Clean surfaces with a dry or damp soft cloth. Do not use abrasive cleaners. Hardware may loosen over time. Periodically check that all connections are tight.