

PRODUCT SPECIFICATIONS

Outdoor Wall Mount Fountain Non-Filtered Non-Refrigerated Freeze Resistant. Features shall include Heavy Duty Vandal Resistant, Sealed Freeze Resistant, 300 Series Stainless. Furnished with Vandal Resistant bubbler. Mechanical Button activation. Product shall be Wall Mount (On Wall), for Outdoor applications, serving 1 station(s).

| | |
|---------------------------------|--|
| Special Features: | Heavy Duty Vandal Resistant, Sealed Freeze Resistant, 300 Series Stainless |
| Finish: | Black (BK), Blue (BLU), Evergreen (EVG), Gray (GRY) |
| Power: | No Electrical Required |
| Bubbler Style: | Vandal Resistant |
| Activation by: | Mechanical Button |
| Mounting Type: | Wall Mount (On Wall) |
| Chilling Capacity: | Non-refrigerated |
| Dimensions (L x W x H): | 14" x 19-1/8" x 8" |
| Approx. Shipping Weight: | 63 lbs. |
| Installation Location**: | Outdoor |
| No. of Stations Served: | 1 |

**When used in non-temperature controlled environments, unit(s) must be adequately winterized and/or protected from extreme heat to prevent damage where climates dictate.

- Mechanically-Activated unit continues to supply water in event of service disruptions.
- Sealed Freeze Resistant Valve System: Fully sealed freeze resistant system that minimizes chance of ground water contamination, and prevents drain water from mixing with fresh water. Designed for ground installation below the frost line.



Included with Product: Outdoor Fountain, Freeze Resistant Box

Ships in multiple boxes.

A Century of Tradition and Quality. For more than 100 years, Elkay has been making innovative products and providing exceptional customer care. We take pride in offering plumbing products that make life easier, inspire change and leave the world a better place.



PRODUCT COMPLIANCE

ADA & ICC A117.1
ASME A112.19.3/CSA B45.4
NSF/ANSI 61 (Q≤1) & 372 (lead free)



Complies with ADA & ICC A117.1 accessibility requirements when installed according to the requirements outlined in these standards. Installation may require additional components and/or construction features to be fully compliant. Consult the local Authority Having Jurisdiction if necessary.

[Installation Instructions \(PDF\) - 1000003939](#)
[Installation Instructions \(PDF\) - 97566C](#)

Warranty pertains to drinking water applications only. Non-drinking water applications are not covered under warranty.

[Warranty \(PDF\)](#)

PART: _____ QTY: _____
PROJECT: _____
CONTACT: _____
DATE: _____
NOTES: _____
APPROVAL: _____

In keeping with our policy of continuing product improvement, Elkay reserves the right to change product specifications without notice. Please visit elkay.com for the most current version of Elkay product specification sheets. This specification describes an Elkay product with design, quality, and functional benefits to the user. When making a comparison of other producers' offerings, be certain these features are not overlooked.

Optional Accessories

| | | |
|-------------------------------|--|---|
| <p>EWF172</p> | <p>Universal Filtration Kit (1500-Gallon) Spec Sheet (PDF)</p> |  |
|-------------------------------|--|---|

MOUNTING INSTRUCTIONS and PLUMBING CONNECTIONS

Refer to diagrams for plumbing rough-in. This fountain is to be mounted on a smooth, flat finished wall surface with adequate support.

Note: Wall mounting structure must be capable of supporting 300lb. load minimum on fountain. To secure unit, use 3/8 minimum fasteners (not provided). Water service line and waste line are to be assembled as required. Final check for leaks and correct functions of fountain should be made. (For details see the installation instructions.)

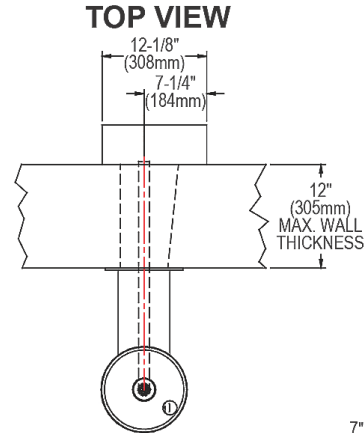
The Freeze_Resistant package must be mounted on an interior wall in a heated area (See details in installation instructions.)

Installation requires trap to be installed in wall. A service supply stop must be installed at the fountain inlet line. Trap and service stop not included.

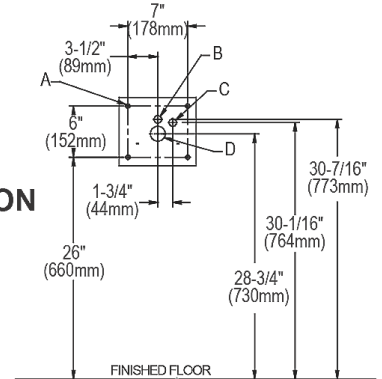
Caution - Fountain must be securely bolted to wall.

Note: For wall support required locations see installation instructions provided with fountain.

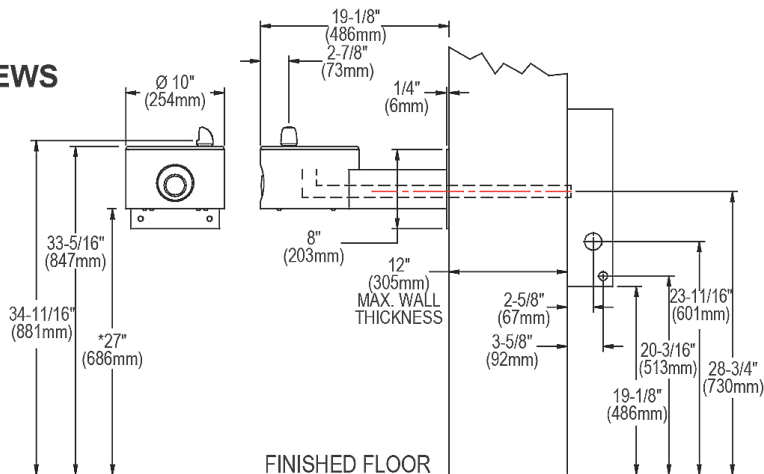
OPERATING PRESSURES: Supply water 20 – 105 psi maximum



MOUNTING BOLT & ACCESS HOLE LOCATION



FRONT & SIDE VIEWS



LEGEND

- A = Mounting screw or bolt locations.
- B = 7/8" Ø (22mm) hole for water supply tube.
- C = 7/8" Ø (22mm) hole for operating cable.
- D = 2" Ø (51mm) holes for waste line.

In keeping with our policy of continuing product improvement, Elkay reserves the right to change product specifications without notice. Please visit elkay.com for the most current version of Elkay product specification sheets. This specification describes an Elkay product with design, quality, and functional benefits to the user. When making a comparison of other producers' offerings, be certain these features are not overlooked.