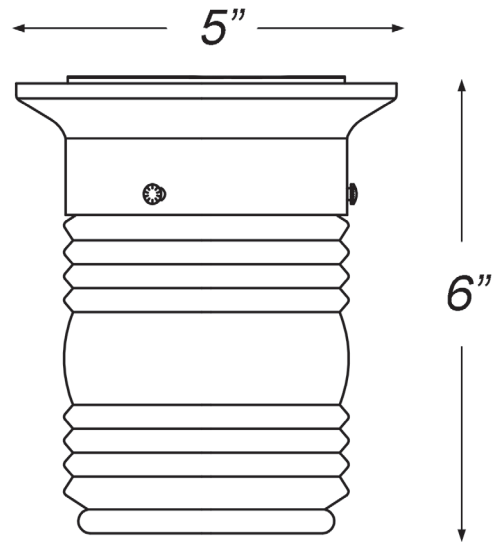


# 101BK

## BUILDERS' CHOICE 1-LIGHT CEILING LANTERN



<b>Description:</b>	Builders' Choice 1-light ceiling lantern
<b>Finish:</b>	Matte black
<b>Dimensions:</b>	5" W x 6" H
<b>Bulbs:</b>	1-60w Med.
<b>Installed Weight:</b>	1#
<b>Certification:</b>	Damp location / c UL

<b>Material:</b>	Powder coated steel
<b>Glass:</b>	Clear jelly jar
<b>Canopy Dimensions:</b>	5" dia.
<b>Chain/Wire:</b>	NA
<b>Additional Finishes:</b>	White