



San Souci® | K-5172-HC

Hidden cord one-piece compact elongated toilet with concealed trapway, 1.28 gpf toilet

Features

- One-piece toilets integrate the tank and bowl into a seamless, easy-to-clean design
- Compact elongated bowl offers added comfort while occupying the same space as a round-front bowl
- Comfort Height® feature offers chair-height seating that makes sitting down and standing up easier for most adults
- 1.28 gpf (4.8 lpf)
- Left-hand Polished Chrome trip lever
- 2-1/8" (54 mm) fully glazed trapway
- Hidden cord design conceals bidet seat cords
- AquaPiston® canister optimizes the flow out of the tank, harnessing gravity and the natural, powerful reducing cascade of water to increase the power and effectiveness of the flush
- Includes bidet water inlet hose
- Hidden cord design conceals bidet seat cords (bidet seat sold separately)



Sustainability



Available Colors/Finishes

Color tiles intended for reference only.

■ 0 White



1-800-4KOHLER (1-800-456-4537)
Kohler Co. reserves the right to make revisions without notice to product specifications.
For the most current specification sheet, go to www.kohler.com USA or www.kohler.ca Canada.
4-15-2026 9:0 - US-CA

THE BOLD LOOK
OF **KOHLER**®

Codes/Standards

ADA, OBC, CSA B651 compliant when installed to the specific requirements of these regulations.

Accessibility standards may require controls to be located on the open side of the toilet.

Plumbing codes may require elongated toilets and elongated, open-front seats in public bathrooms.



ASME A112.19.2/CSA B45.1
DOE - Energy Policy Act 1992
EPA WaterSense®
California Energy Commission (CEC)
ADA
ICC/ANSI A117.1
CSA B651
OBC

Recommended Products/Accessories

1023457 Toilet Wax Ring And Hardware Kit

1265114 12" Toilet Supply Line

K-26132-CSP Elongated bidet toilet seat

Warranty

See website for detailed warranty information.

KOHLER® Toilets and Seats Limited Warranty

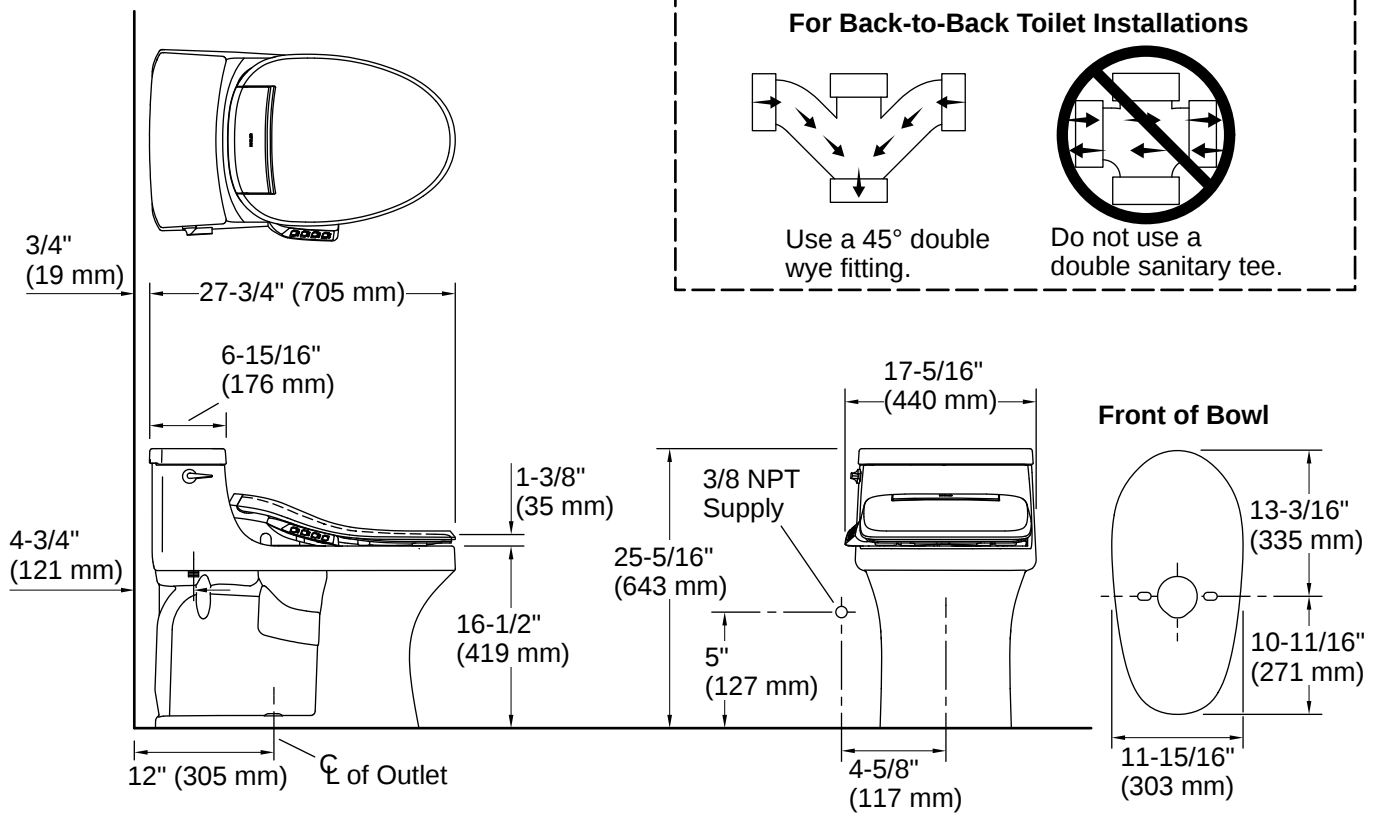
Technical Information

Rough-in:	Standard 12" (305mm)
Flush Type:	AquaPiston
Flush Rate:	1.28 gpf (4.8 lpf)
Bowl Shape:	Elongated
Seat-Mounting Holes:	5-1/2" (140 mm)
Waste Outlet:	Floor
Trapway Size:	2-1/8" (54 mm)
Trapway Type:	Concealed
Water Surface Size:	10-3/4" x 7-1/2" (273 mm x 191 mm)
Rim to Water Surface:	5-3/8" (137 mm)

Pressure/Fixture Supply Requirements

Minimum Flowing Pressure:	15 psi (103.4 kPa)
Minimum Flow Rate:	1 gpm (3.8 l/min)





Installation

- Standard 12" (305 mm) rough-in
- Seat and supply line sold separately

Installation Notes

Install this product according to the installation instructions.

Product dimensions are nominal and may vary per ASME A112.19.2 tolerances.

ADA, OBC, CSA B651 compliant when installed to the specific requirements of these regulations.

Plumbing codes may require elongated toilets and elongated, open-front seats in public bathrooms.

Accessibility standards may require controls to be located on the open side of the toilet.

