

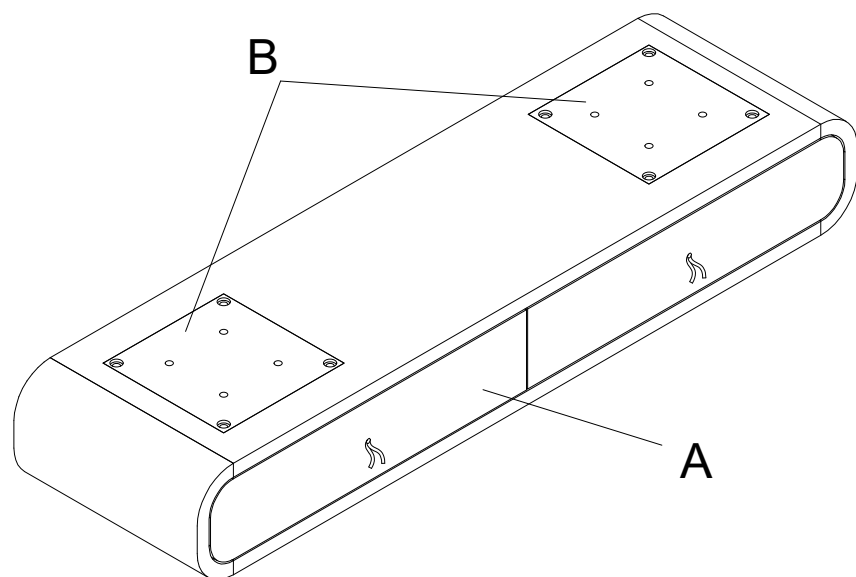
JUBA CONSOLE TABLE ASSEMBLY INSTRUCTIONS



PARTS PACKING CONFIGURATIONS

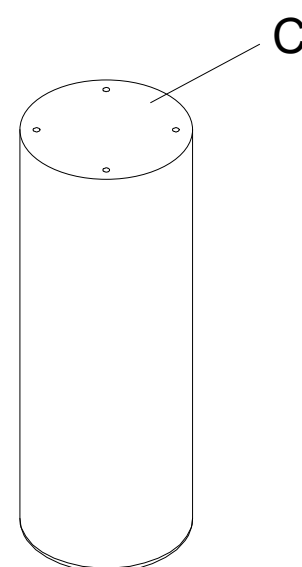
BOX #1

- A. TABLE TOP 1 PC
- B. CONNECTING PLATE 2 PCS



BOX #2

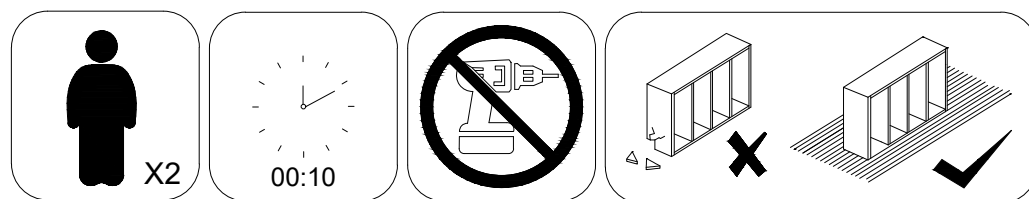
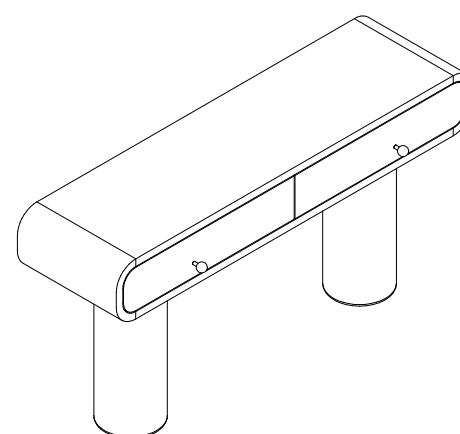
- C. LEG 2 PCS



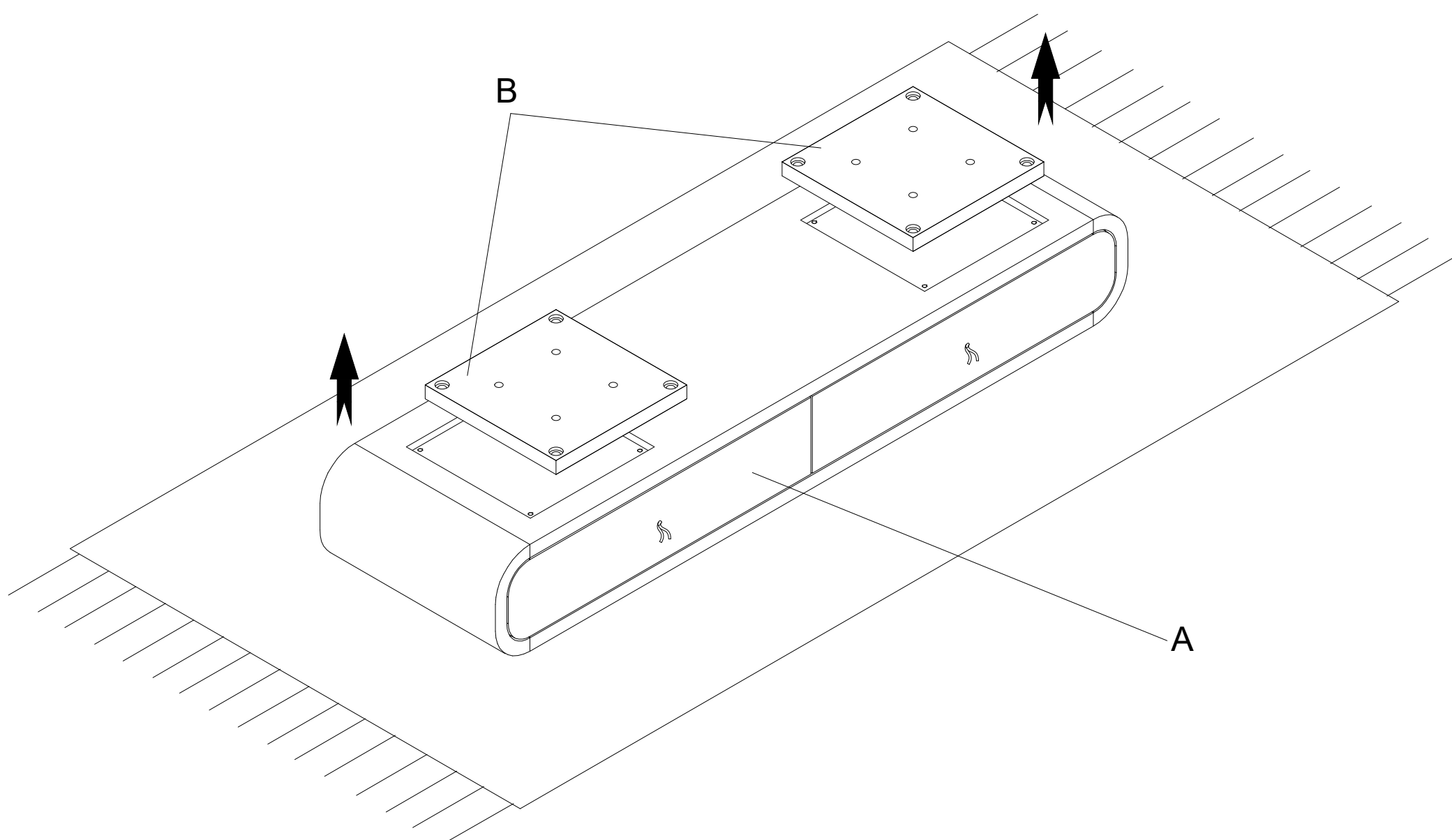
HARDWARE KIT PACKED IN BOX #2

NO.	DESCRIPTION	IMAGE	QTY
1	FLAT WASHER(5/16")		16 PCS
2	LOCK WASHER(5/16")		16 PCS
3	ALLEN BOLT(5/16"X3/4")		16 PCS
4	ALLEN /PHILLIPS KEY(5/16")		1 PC

FULLY ASSEMBLED

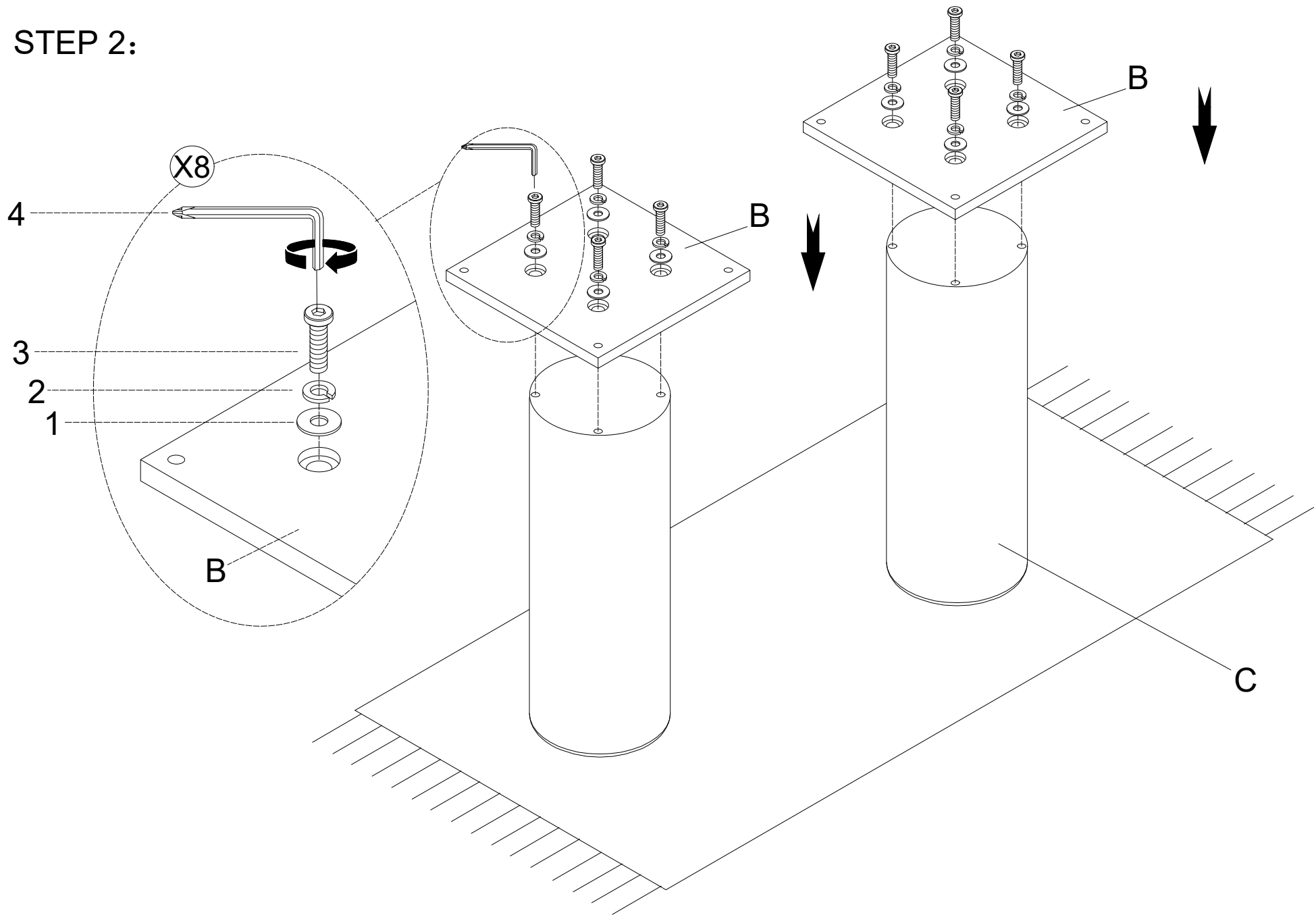


STEP 1:

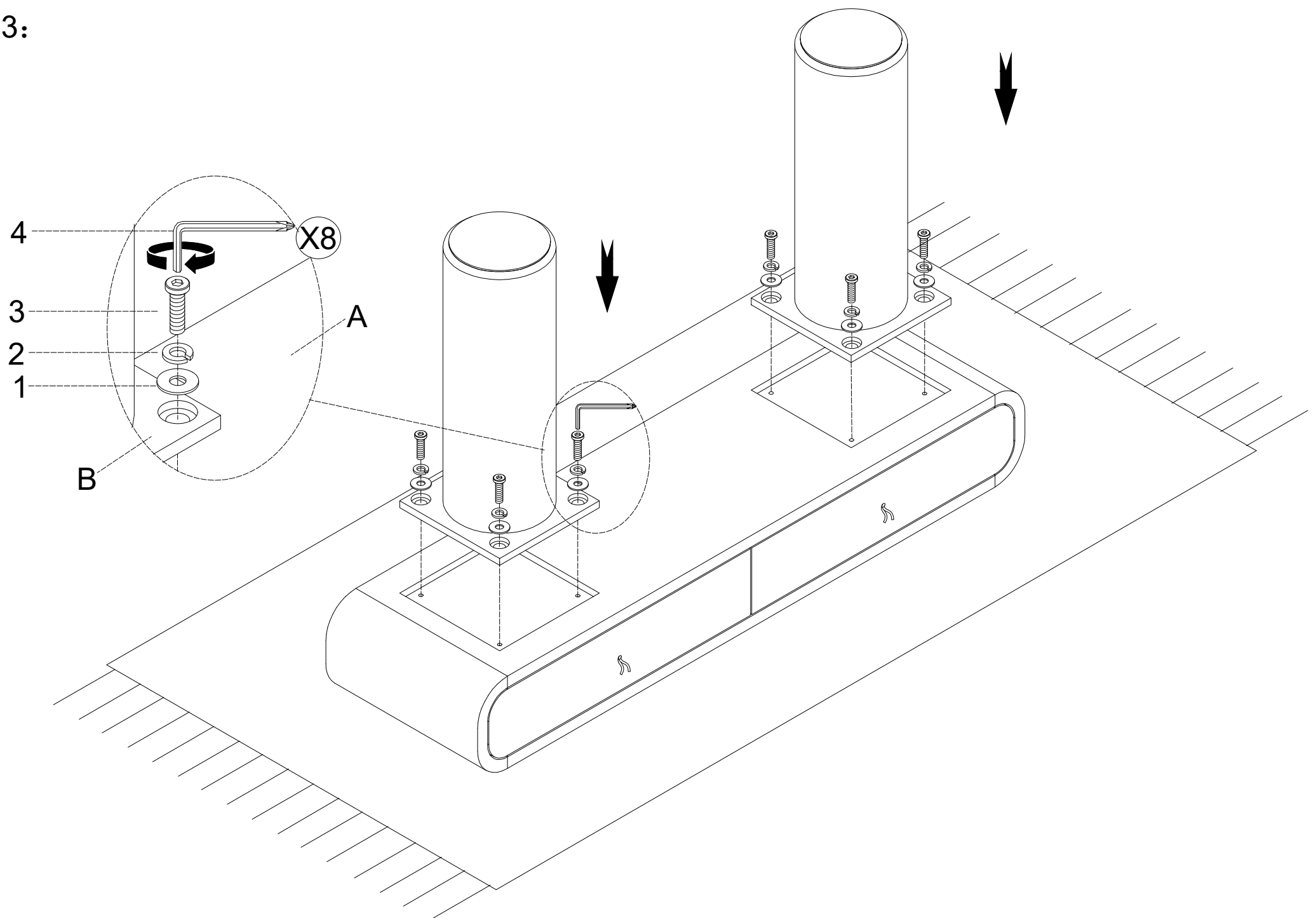


JUBA CONSOLE TABLE ASSEMBLY INSTRUCTIONS

STEP 2:



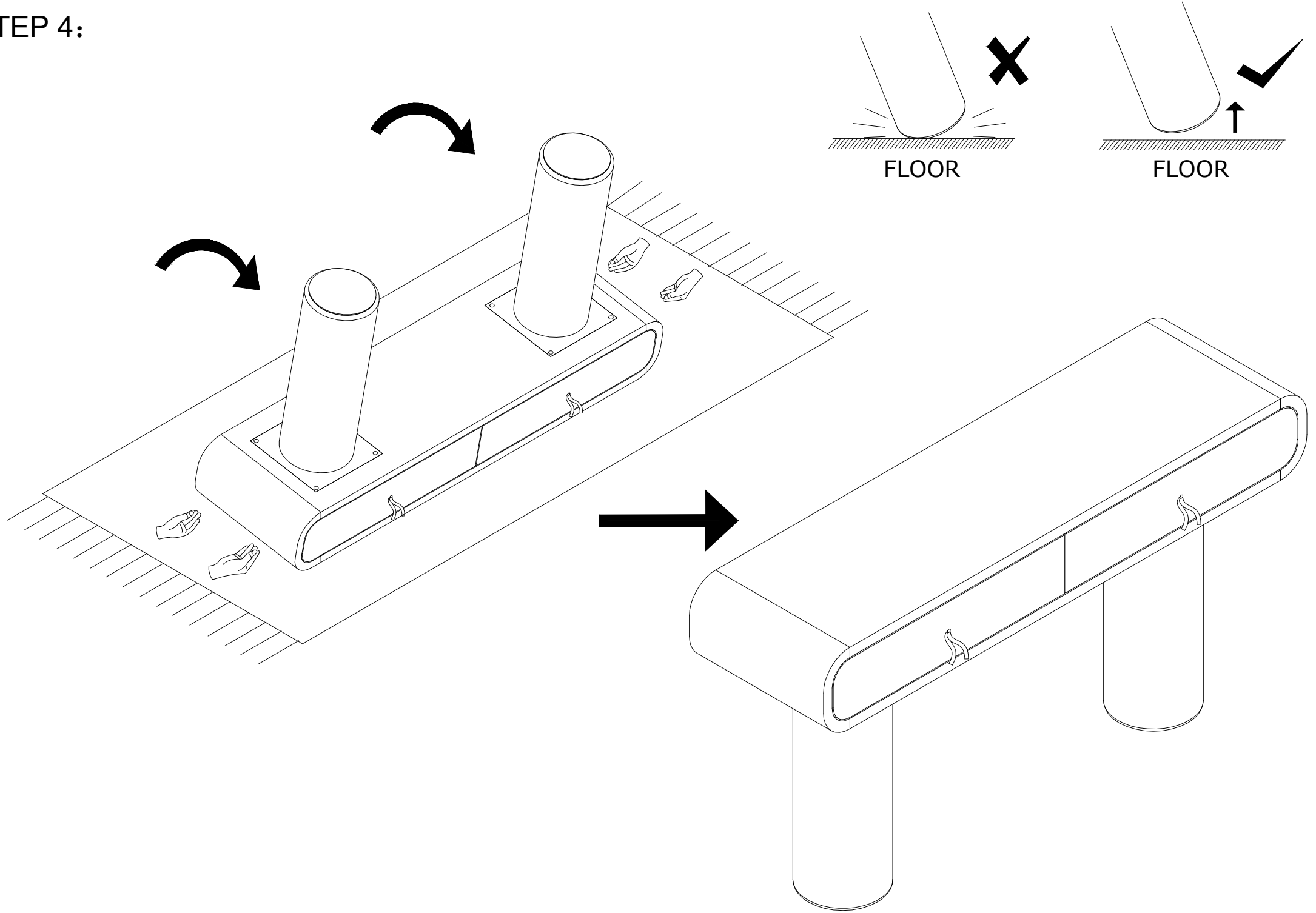
STEP 3:



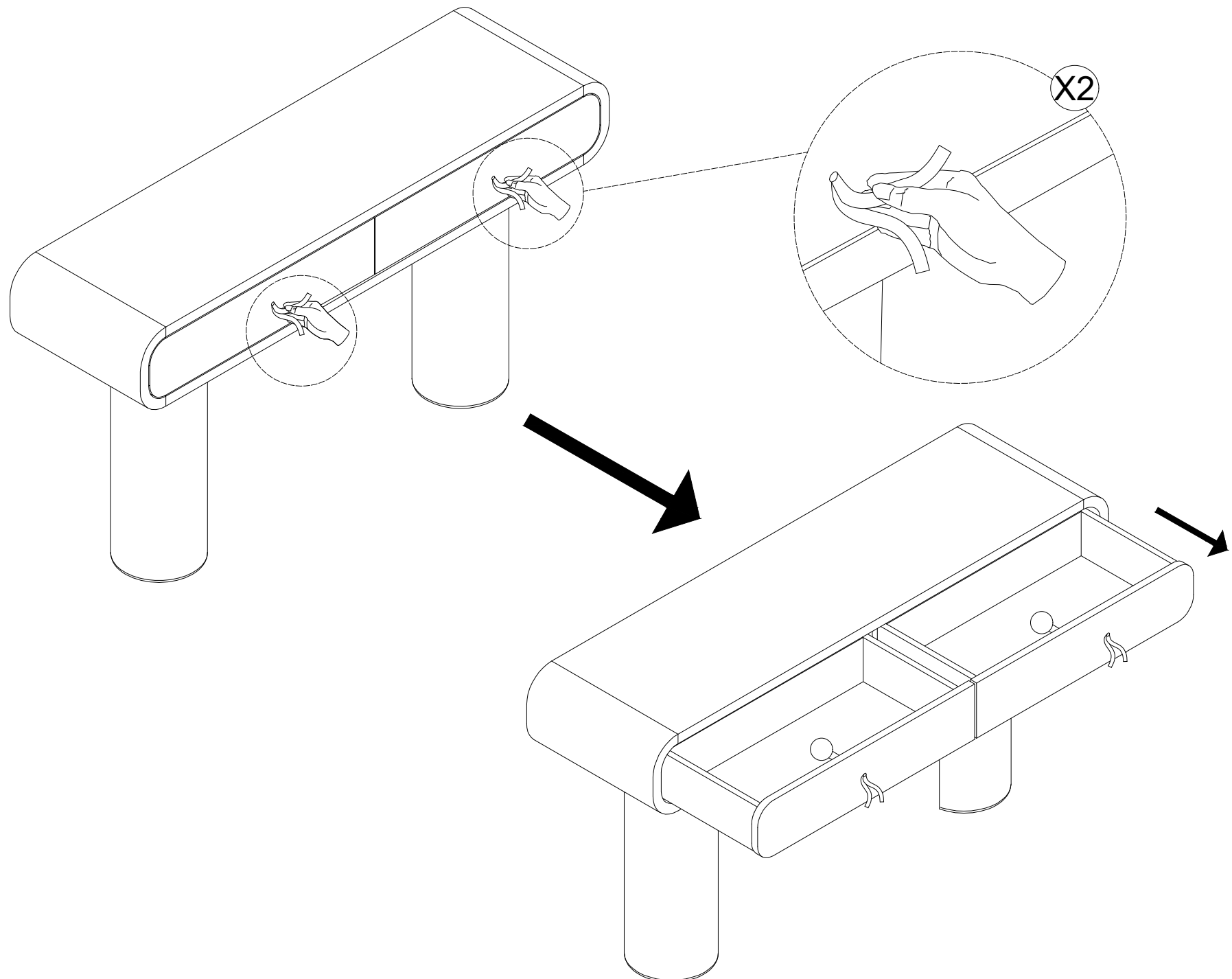
JUBA CONSOLE TABLE ASSEMBLY INSTRUCTIONS



STEP 4:

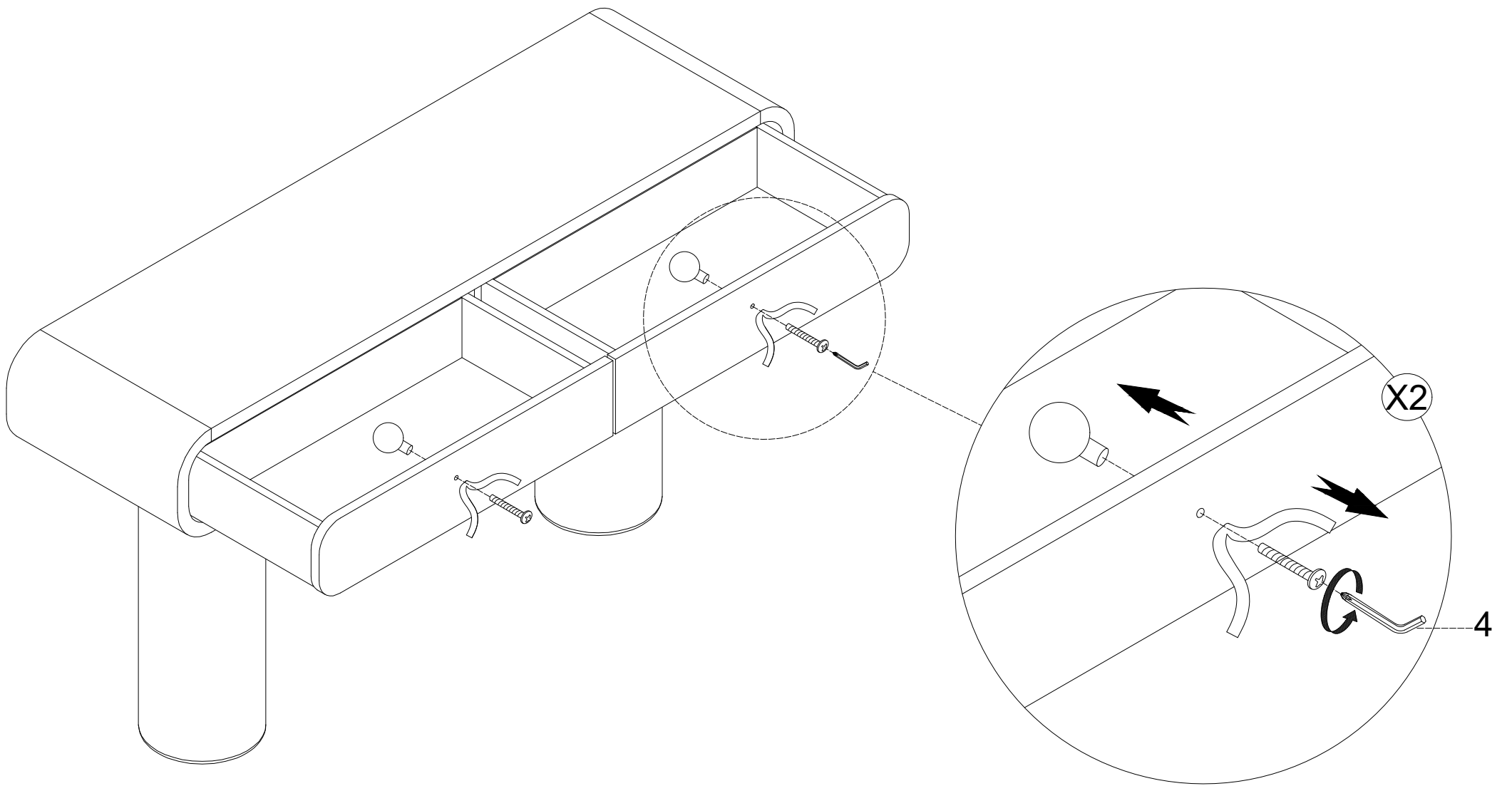


STEP 5:

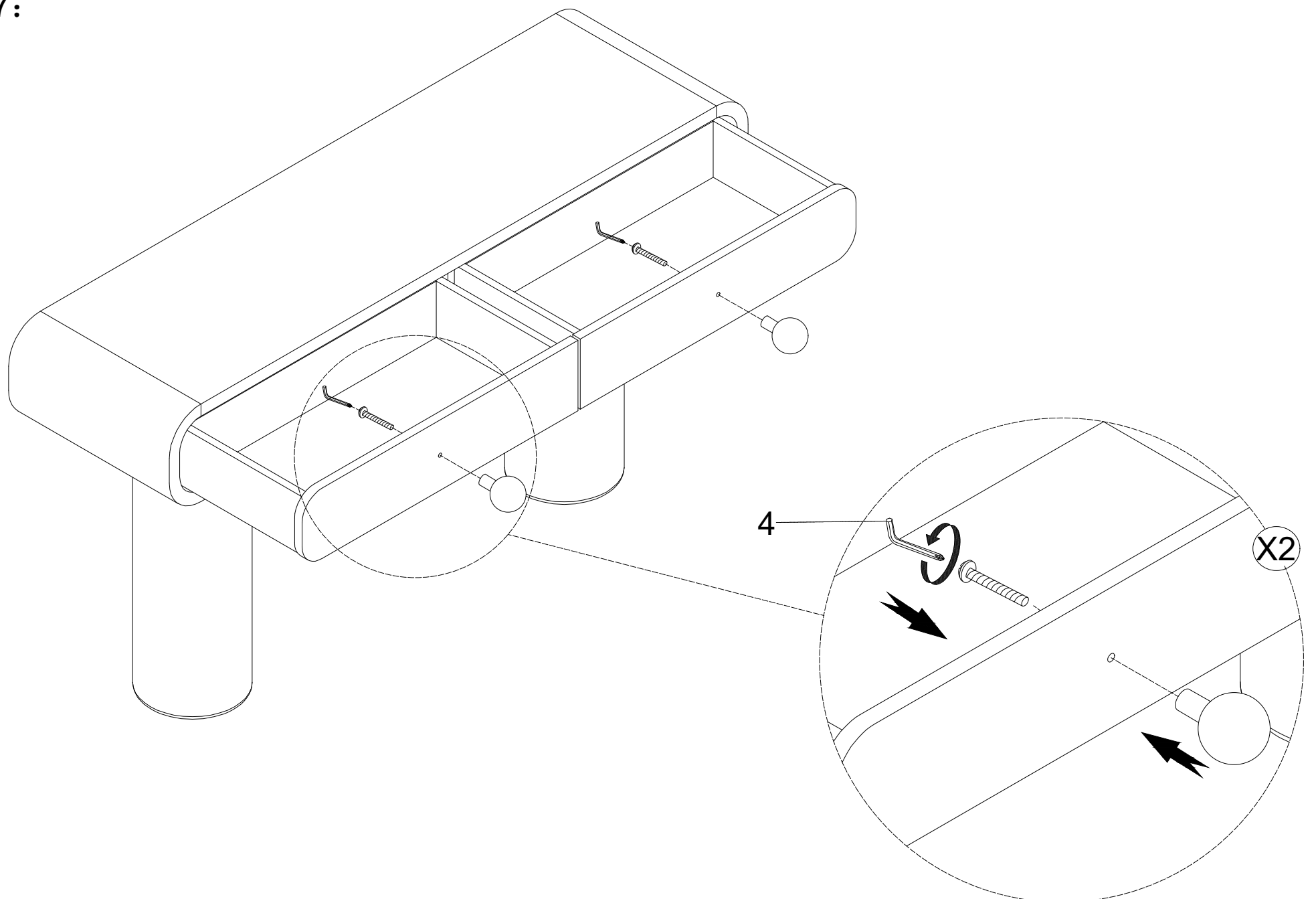


JUBA CONSOLE TABLE ASSEMBLY INSTRUCTIONS

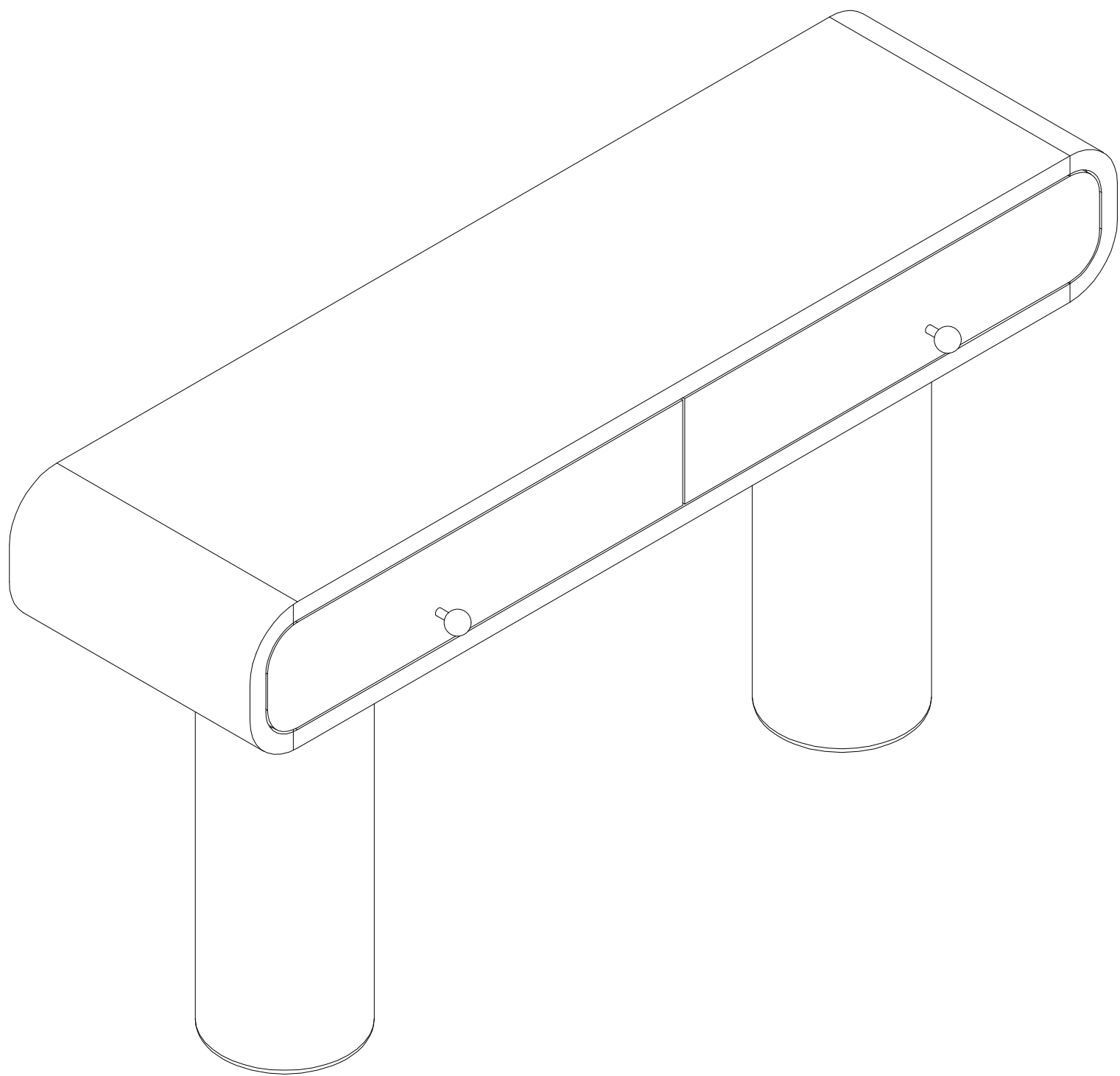
STEP 6:



STEP 7:



JUBA CONSOLE TABLE ASSEMBLY INSTRUCTIONS



ASSEMBLY COMPLETE