

#### Features

- 36" (914 mm) minimum base cabinet width
- Single bowl
- 5" (127 mm) depth
- Rear offset drain increases workspace in the sink and storage space underneath
- No faucet holes; requires wall- or deck-mount faucet
- Matte finish offers rich, dimensional color
- Includes sink rack
- Sink drain and strainer sold separately

#### Material

- KOHLER Neoroc composite material is thermal shock-resistant and heat-resistant to 750°F (399°C)
- Color-dense Neoroc material helps to minimize the appearance of scratches and stains

#### Installation

- Undermount

#### Recommended Products/Accessories

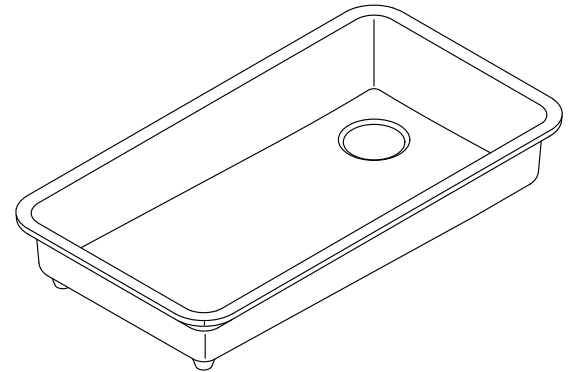
- K-8801 Sink drain and strainer with tailpiece
- K-8799 Sink drain and strainer basket
- K-23726 Drain treatment
- K-23730 Neoroc® cleaner

#### Optional Products/Accessories

- K-11352 Disposal Flange with Stopper
- K-9000 P-Trap

#### Included Components

- K-6639 Sink racks for 36" Whitehaven®



ADA

#### Codes/Standards







CSA B45.5/IAPMO Z124  
ADA  
ICC/ANSI A117.1

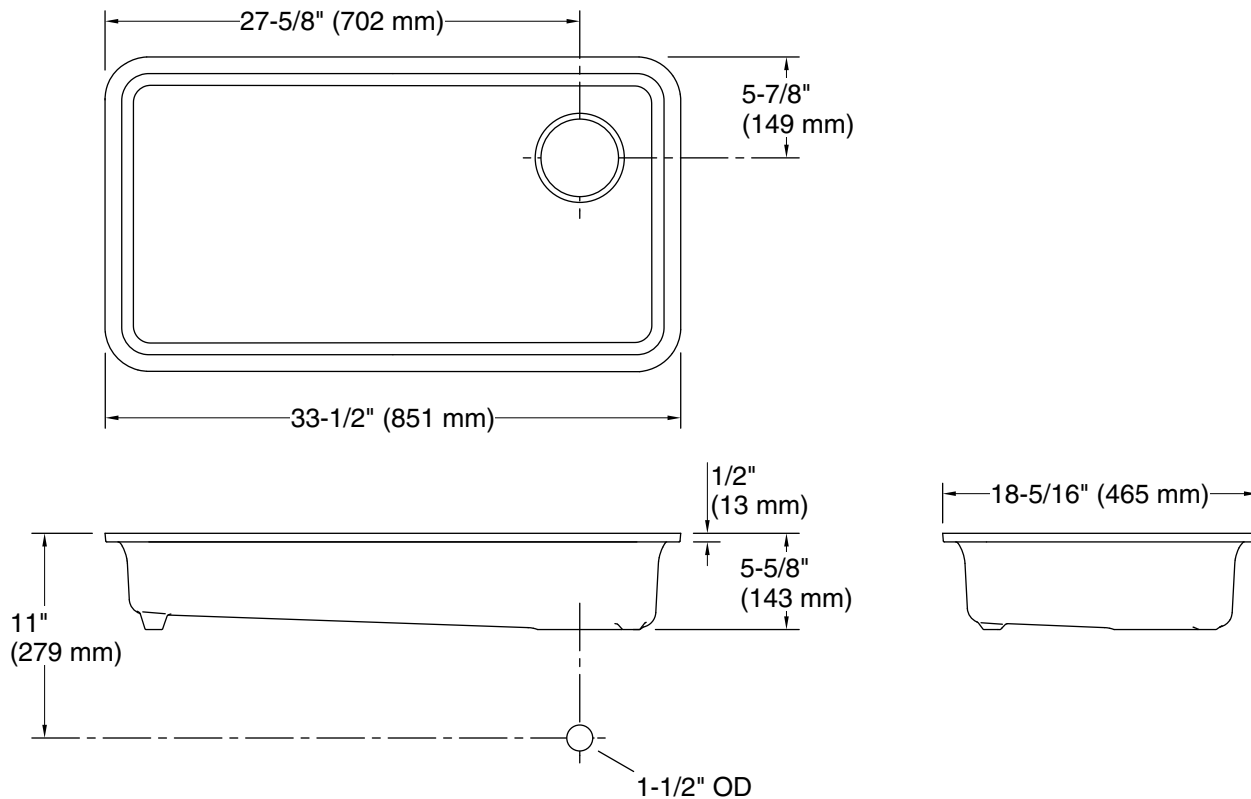
#### KOHLER® Neoroc® Sinks Lifetime Limited Warranty

See website for detailed warranty information.

#### Available Colors/Finishes

*Color tiles intended for reference only.*

Color	Code	Description
	CM6	Matte White
	CM7	Matte Graphite
	CM1	Matte Black
	CM2	Matte Brown
	CM3	Matte Taupe
	CM4	Matte Grey



#### Technical Information

All product dimensions are nominal.

Basin configuration: Single Bowl  
Min. base cabinet width: 36" (914 mm)

Bowl area (Only): Length: 30-1/2" (775 mm)  
Width: 15-5/16" (389 mm)  
Bowl depth: 5" (127 mm)  
Water depth: 5" (127 mm)

Drain hole: 3-7/8" (98 mm)

Template: Undermount, 1256394-7, required, included

#### Notes

Install this product according to the installation instructions.

**NOTICE:** Countertop manufacturer or cutter must use the cut-out template provided with the product, or a current one provided by Kohler Co. (call 1-800-4-KOHLER). Kohler Co. is not responsible for cutout errors when the incorrect cut-out template is used.

ADA compliant when installed to the specific requirements of these regulations.