



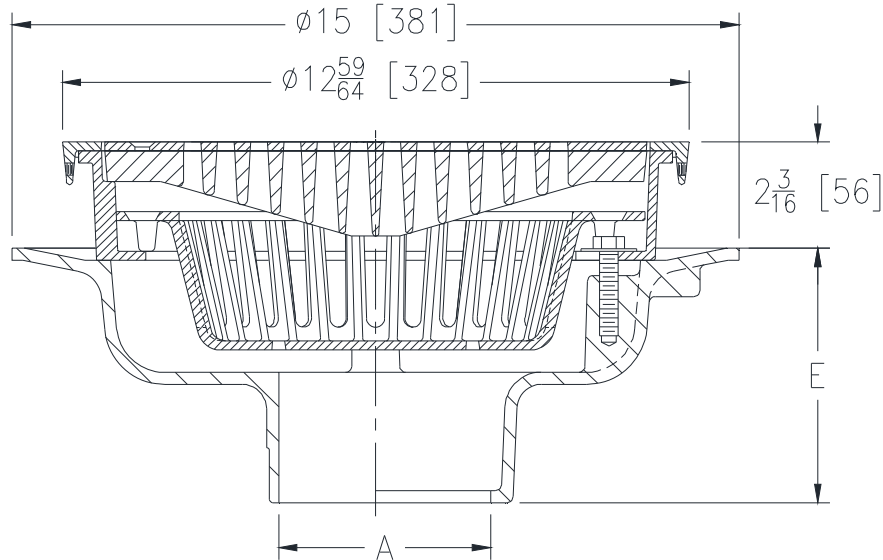
ZN541

12 [305] DIAMETER HEAVY-DUTY DRAIN
W/ NICKEL BRONZE VENEER FRAME & GRATE

SPECIFICATION SHEET

TAG _____

Dimensional Data (inches and [mm]) are Subject to Manufacturing Tolerances and Change Without Notice



A- Pipe Size In. [mm]	Approx. Wt. Lbs. [kg]	Grate Open Area Sq. In. [cm ²]
2,3,4,5,6 [51,76,102,127,152]	52 [24]	30 [194]
8,10 [203,254]	54 [25]	

ENGINEERING SPECIFICATION: ZURN ZN541

12" [305mm] Diameter top drain. Dura-Coated cast iron body with bottom outlet, seepage pan and combination membrane flashing clamp and frame w/ nickel bronze veneer frame and grate for anti-tilt heavy-duty slotted grate with suspended polypropylene sediment bucket.

OPTIONS (Check/specify appropriate options)

PIPE SIZE	(Specify size/type)	OUTLET	'E' BODY HT. DIM.
2,3,4,5,6,8,10 [51,76,102,127,152,203,254]	_____	IC Inside Caulk	5-1/4 [133]
2,3,4,5,6,8,10 [51,76,102,127,152,203,254]	_____	IG Inside Caulk w/Sealtrol Gskt.	5-1/4 [133]
2,3,4,5,6,8,10 [51,76,102,127,152,203,254]	_____	IP Threaded	3-3/4 [95]
2,3,4,5,6,8,10 [51,76,102,127,152,203,254]	_____	NH No-Hub	5-1/4 [133]
2,3,4 [51,76,102]	_____	NL Neo-Loc	4-5/8 [117]

PREFIXES

- _____ ZB D.C.C.I. Body w/ Polished Bronze Top
- _____ ZN D.C.C.I. Body w/ Polished Nickel Bronze Top*

SUFFIXES

- | | |
|---|--|
| _____ -AR Acid Resisting Epoxy Coated Cast Iron | _____ -SS Stainless Mesh Liner for Bucket |
| _____ -DG Duresist Grate | _____ -TC Neo-Loc Test Cap Gasket
(2,3,4 [51,76,102] NL Bottom Outlet Only) |
| _____ -DX Dex-O-Tex Flange | _____ -TG Tractor Grate |
| _____ -G Galvanized Cast Iron | _____ -TS Top Secured with Slotted Screws |
| _____ -H Hinged Grate | _____ -V Backwater Valve (See Z1099) |
| _____ -HP Heel-Proof Grate | _____ -VP Vandal-Proof Secured Top |
| _____ -LY (Less) Sediment Bucket | _____ -YC Cast Iron Sediment Bucket |
| _____ -P Trap Primer Connection | _____ -90 90° Threaded Side Outlet Body
(2,3,4,5,6 [51,76,102,127,152]) |
| _____ -S Secondary Strainer | |
| _____ -SA Stabilizer Assembly (see Z1036) | |

* Regularly furnished unless otherwise specified.