









Assembly Instructions

Brence Side Table

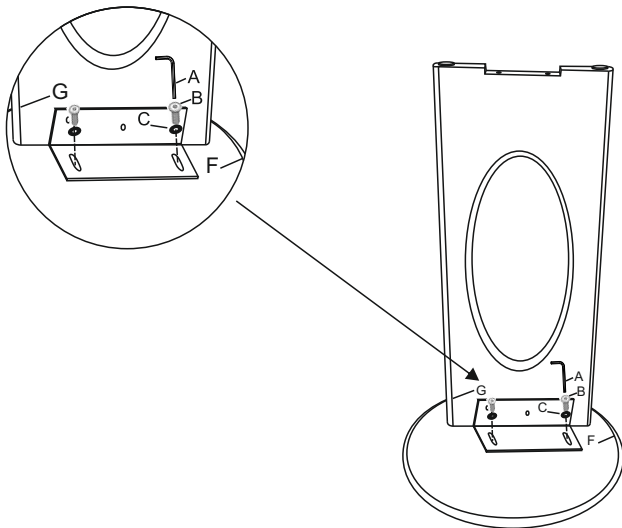
HARDWARE LIST:-

NO.	DESCRIPTION	IMAGE	QTY
A	ALLEN KEY (4mm)		1
B	ALLEN BOLT (6X12mm)		8
C	WASHER		8
D	METAL BRACE		1
E	WOOD DOWEL (8x30mm)		1

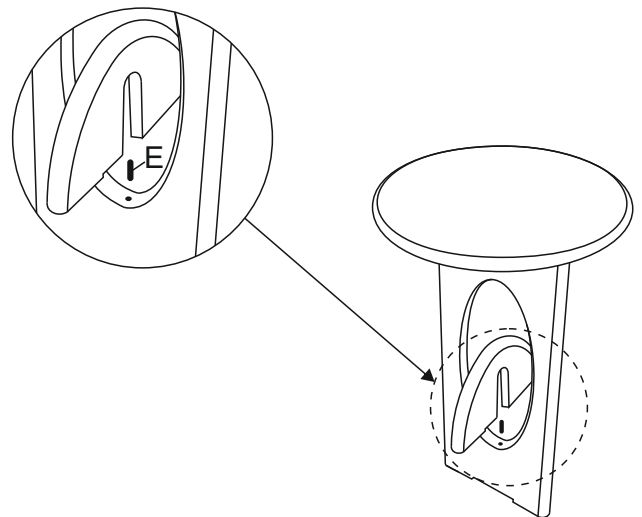
PART LIST:-

NO.	DESCRIPTION	IMAGE	QTY
F	TABLE TOP		1
G	LEGS		1
H	BOTTOM LEGS		1

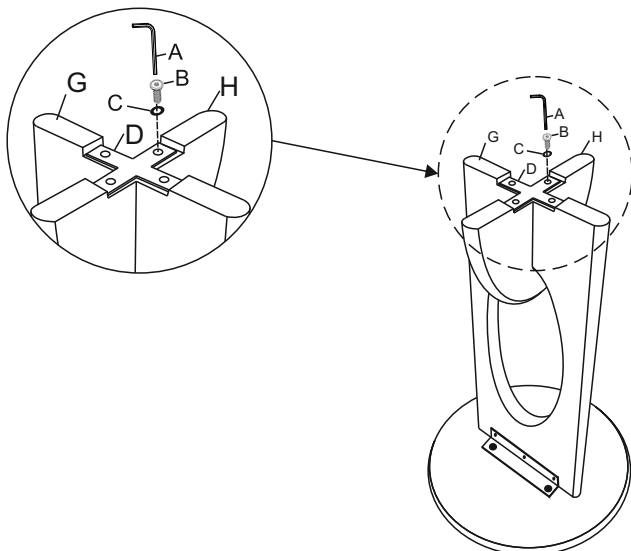
Step :- 1 Fix the Top(F) With Legs(G).



Step :- 2 Fix The Bottom Legs(H) With Wood Dowel(E).



Step :- 3 Fix The Bottom Legs(H) With Metal Brace(D) And Tighten All Bolts.



Step :- 4 Ready For Use

