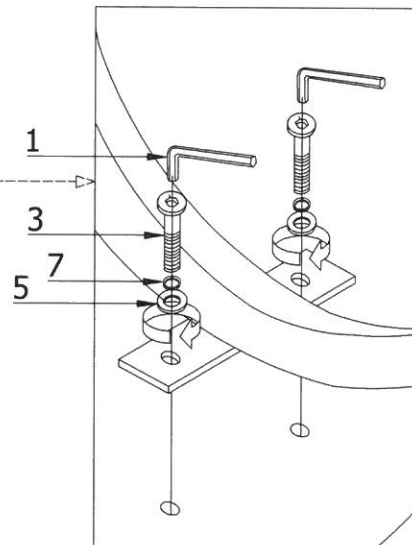
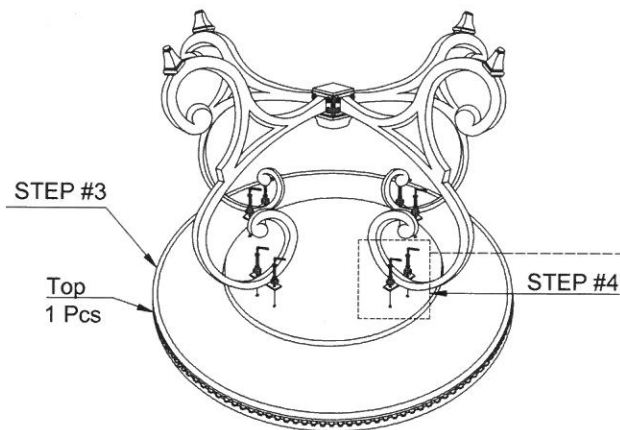
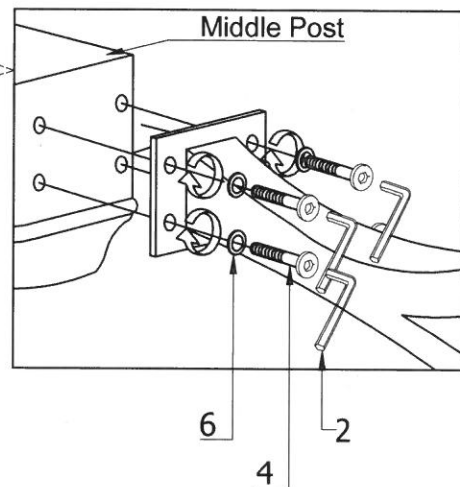
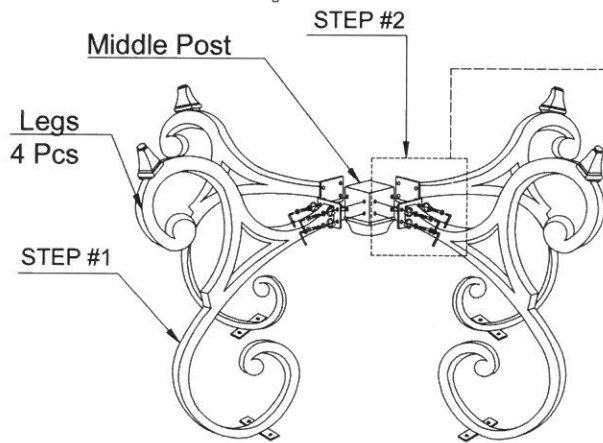
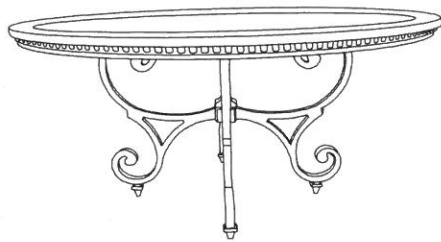


HEKMAN®

X A HOWARD MILLER COMPANY
Grand Rapids, Michigan

ASSEMBLY INSTRUCTION #19221 ROUND DINNING TABLE

No.	PARTS	DESCRIPTION	QTY
1		ALLEN KEY L5	1 Pcs
2		ALLEN KEY L4	1 Pcs
3		JCBC BOLT M8 x 40	8 Pcs
4		JCBC BOLT M6 x 30	16 Pcs
5		FLAT WASHER Ø8	8 Pcs
6		FLAT WASHER Ø6	16 Pcs
7		LOCK WASHER Ø8	8 Pcs



- Step #1 Lay the metal legs upside down on a soft clean surface.
 Step #2 Assemble the legs to the middle post using bolt M6 x 30 and flat washer with alen key L4. Do not tightned completely.
 Step #3 Lay the top upside down on a soft clean surface.
 Step #4 Install the legs to the top frame using bolt M8 x 40, lock washer, flat washers with allen key L5. Tighten completely. Also tighten Bolt in step#2 completely.
 Step #5 Turn the table upright carefully.