



EZConnect™ Cable Instructions

For Rinnai Tankless Water Heaters

For Use With Rinnai Tankless Water Heater Models:

RL94i/e, RL75i/e, RUC80i, RUC90i, RUC98i, RU80e, RU90e, RU98e, C199i/e, RUCS65i, RUCS75i, RUS65e, RUS75e, RU199i/e, RU180i/e, RU160i/e, RU130i/e, RUR199i/e, RUR160i/e, CU199i/e, CU160i/e, RE199i/e, RE180i/e, RE160i/e, RE140i/e, REP199i/e, REP 160i/e, RSC199i/e, RSC160i/e



EZConnect™ Cable Part Numbers:

REU-EZC-2

With the use of the EZConnect™ cable, two water heaters can be electronically connected (Figure 1). This connection rotates water heater operation order to ensure equal usage among the entire system and enables the water heaters connected to modulate operation and function as one hot water source.

IMPORTANT:

For proper operation, do not combine different water heater models.

Exception: Application of RUR model with an RU model. If connecting RU/RE and RUR/RSC/REP models with an EZConnect™ cable, the RUR/RSC/REP model must be Primary and the RU/RE model secondary (Figures 3 and 4).

ITEMS INSIDE PRODUCT BOX

Before installation, please make sure all parts are located inside the product box. If any items are missing or damaged, contact your local dealer/distributor or call Rinnai Customer Care at 1-800-621-9419.

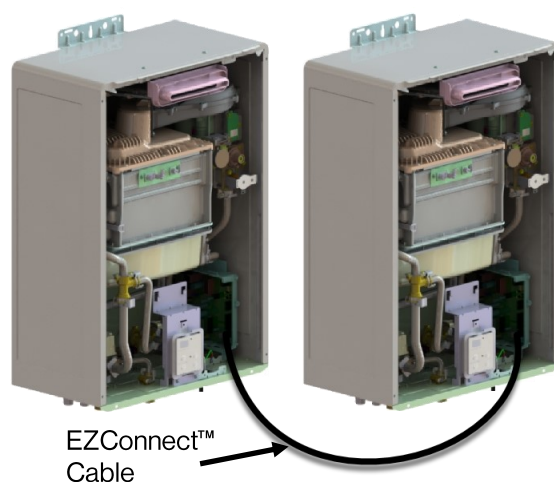
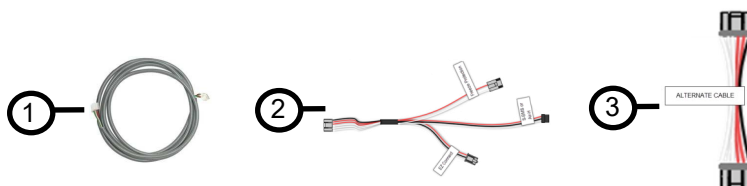


Figure 1: Example EZConnect™ Cable Configuration

Item #	Item	Qty
1	EZConnect™ Cable	1
2	Accessory Cable	1
3	Alternate Cable (RE/REP models only)	1
4**	Screws	2
5**	Instruction Manual	1



*RSC models include alternate cable, so there is no need to use items 2 and 3.

**Item not pictured

TOOLS/MATERIALS REQUIRED

- Philips head screwdriver (for removal of water heater front cover)

INSTRUCTIONS: Remove Front Cover

1. Power OFF the water heaters by unplugging the power cord or turning off the circuit breaker. The controller on the water heater does not control the electrical power.
2. Remove the front panel of both water heaters by removing the 4 screws that secure the panel in place. For RE models, remove two screws and two latches securing the front panel. Remove the front panel.
3. Locate the PC Boards in the bottom, right corner for both water heaters (Figure 2).

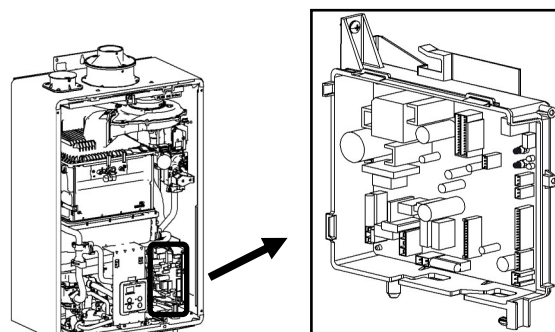


Figure 2: PC Board

Connecting Cable

Models: RU199i/e, RU180i/e, RU160i/e, RU130i/e, RUR199i/e, RUR160i/e, CU199i/e, CU160i/e, RE199i/e, RE180i/e, RE160i/e, RE140i/e, REP199i/e, REP160i/e

Using the clear PC Board cover as a guide, identify the "EZCONNECT™ PRIMARY" connection and "EZCONNECT™ SECONDARY" connection (Figure 3).

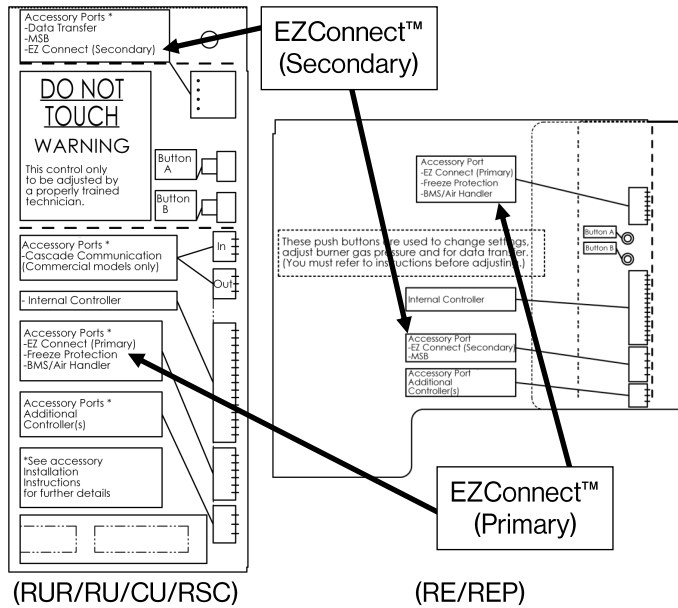


Figure 3: PC Board Plastic Covers

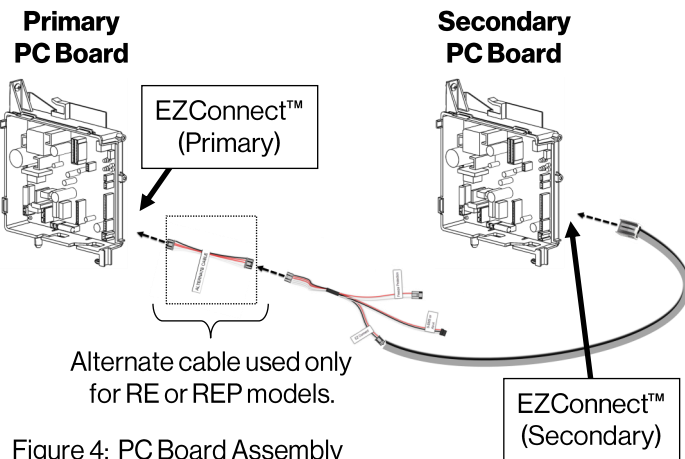


Figure 4: PC Board Assembly

1. The two water heaters need to be installed 2-18 inches apart so that the cable will reach between the two units and to prevent temperature fluctuations (cold water sandwich effect) when the water is shut off and turned back on.
2. Connect one end of the EZConnect™ Cable to the Accessory Cable labeled "EZ Connect" (Figure 4). **RE/REP models only:** Connect Alternate Cable to the opposite end of the Accessory Cable.
3. Connect the Alternate cable or accessory cable to the "EZCONNECT™ (Primary)" connection on the PC Board.
4. Connect the other end of the EZConnect™ Cable to the Accessory Port on the PC Board of the secondary water heater (Figure 4).
5. Power ON each water heater.
6. Securely tighten the EZConnect™ Cable to the bottom of both water heaters by using the cable clamp and screw (Figure 6).

Models: RL94i/e, RL75i/e, RUC80i, RUC90i, RUC98i, RU80e, RU90e, RU98e, C199i/e, RUCS65i, RUCS75i, RUS65e, RUS75e, RSC199i/e, RSC160i/e

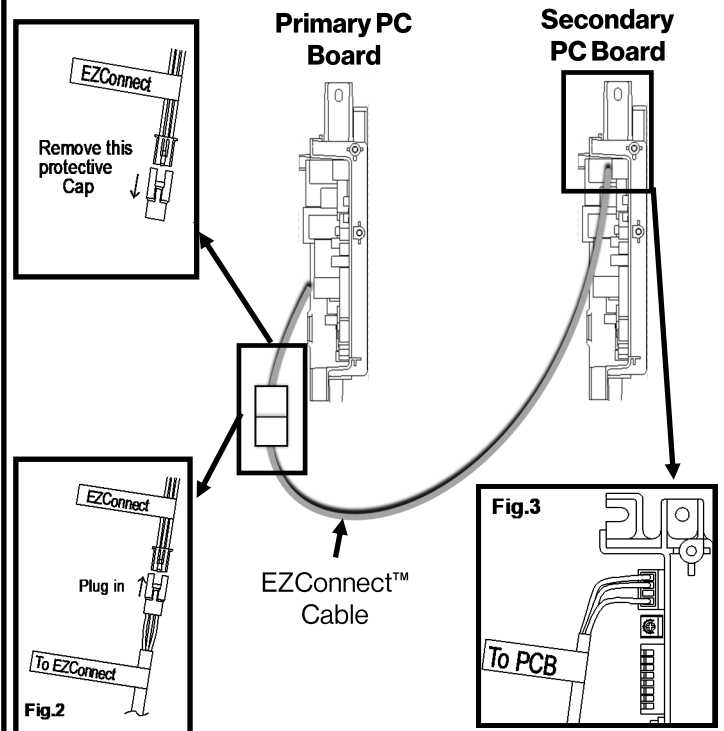


Figure 5: PC Board Assembly

1. The two water heaters need to be installed 2-18 inches apart so that the cable will reach between the two units and to prevent temperature fluctuations (cold water sandwich effect) when the water is shut off and turned back on.
2. Remove the protective cap from the 3 pin connector marked "EZ Connect" located in the wiring harness of the Primary Unit (Figure 5).
3. Install the EZConnect™ Cable by plugging in the cable on both the Primary and Secondary units (Figure 5).
4. Power ON each water heater.
5. Securely tighten the EZConnect™ Cable to the bottom of both water heaters by using the cable clamp and screw (Figure 6).

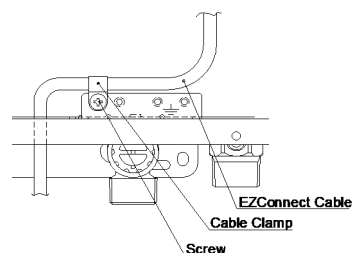


Figure 6: Tighten EZConnect™ Cable

Selecting Standby Units

Models: RU199i/e, RU180i/e, RU160i/e, RU130i/e, RUR199i/e, RUR160i/e, CU199i/e, CU160i/e, RE199i/e, RE180i/e, RE160i/e, RE140i/e, REP199i/e, REP160i/e, RSC199i/e, RSC160i/e

Models: RL94i/e, RL75i/e, RUC80i, RUC90i, RUC98i, RU80e, RU90e, RU98e, C199i/e, RUCS65i, RUCS75i, RUS65e, RUS75e

WARNING

Adjust only the parameter settings listed below. Do not adjust any other parameter settings unless specifically instructed to do so.

Factory default setting is both units (2) are in standby. Use the following procedure for application that require only one (1) unit in standby.

- Locate the two buttons (A and B) on the PC Board (Figure 6).
- Press the **A** button for 1 second. **01A** appears on the controller display (Figure 6).
- Press the **▲ (Up)** button until **07A** appears on the display (Figure 7).
- Press the **On/Off** button until **07b** appears on the display (Figure 7).

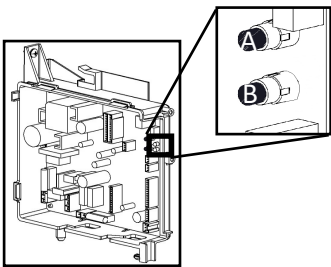


Figure 6: A and B Buttons

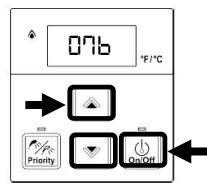


Figure 7: Controller Display

SETTING #	SETTING DESCRIPTION	SELECTION	
		A	b
07	Units in Standby (EZConnect™)	2	1

Standby:

- (1) When water flow starts, one unit initiates and then activates the next unit, if demand is needed.
- (2) When water flow starts, both units activate and the second unit drops off, if demand is not needed.

Note: To maintain accurate temperature selection when connecting dissimilar models, the water heater with the lowest maximum set temperature must be the primary unit.

If connecting non-pump models to integrated pump models with an EZConnect™ cable, the pump model must be primary and the non-pump model secondary (Figures 3 and 4).

RE160/140 models must be primary if connecting dissimilar models with exception on integrated pump models (120°-140°F / 49°-60°C set temperature).

Factory default setting for all units is standby mode (OFF: 2). The Dip Switch settings must be adjusted for the application to place only 1 unit in standby mode (Figure 8).

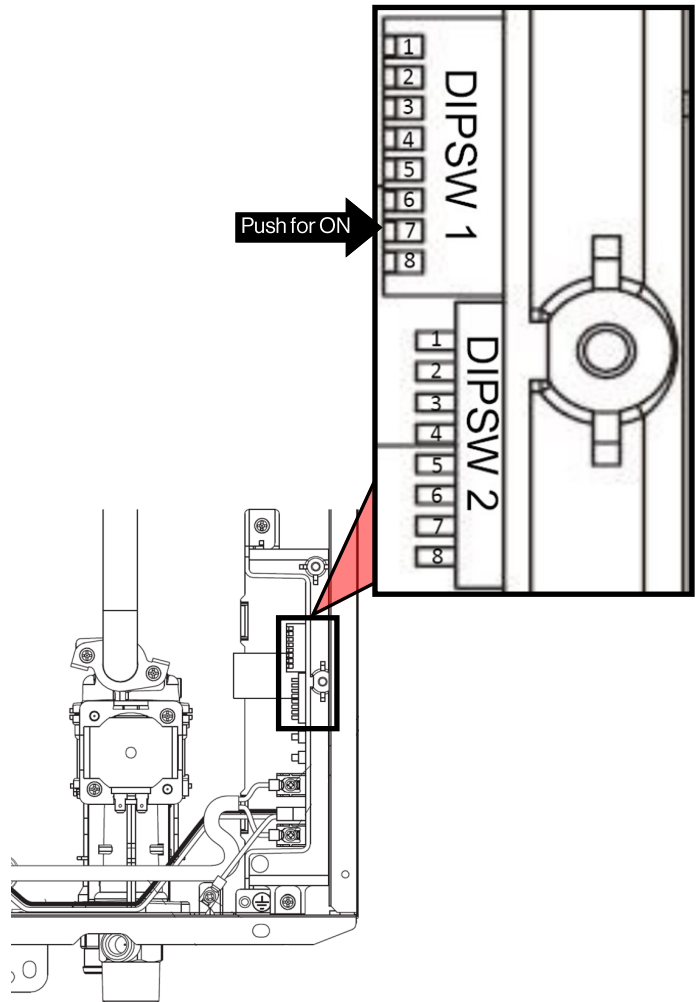


Figure 8: Dip Switch Selection

DIPSW BANK	SWITCH (SW) #	SELECTION	
1	7	OFF: 2	ON: 1

Rinnai America Corporation

103 International Drive
Peachtree City, GA 30269

Tel. 1-800-621-9419
Web. www.rinnai.us
www.rinnai.ca

100000552(03)
7/2022