

NEWPORT BRASS

VALVES / MISC

WALL VALVE ROUGH WITH 1/2" NPT OUTLETS

1-532U



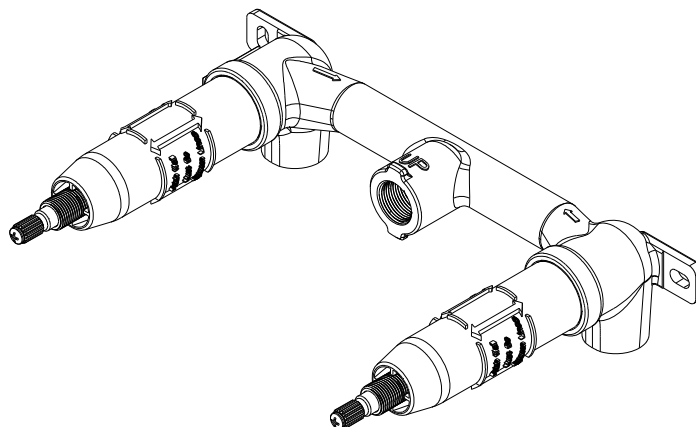
Features

- Solid brass construction
- 1/2" NPT female thread (inlet and outlet) valve body
- Mounting tabs located on rough-in for secure installation option
- Quarter-turn washerless ceramic valve cartridges
- Requires Newport Brass Wall Mount Faucet Trim (many options available, sold separately)

Codes / Standards Compliance

Meets or exceeds the following at date of manufacture:

- ASME A112.18.1/CSA B125.1
- IAPMO/cUPC
- NSF/ANSI/CAN 61, SECTION 9
- NSF/ANSI/CAN 372
- IPC
- All applicable US Federal and State material regulations



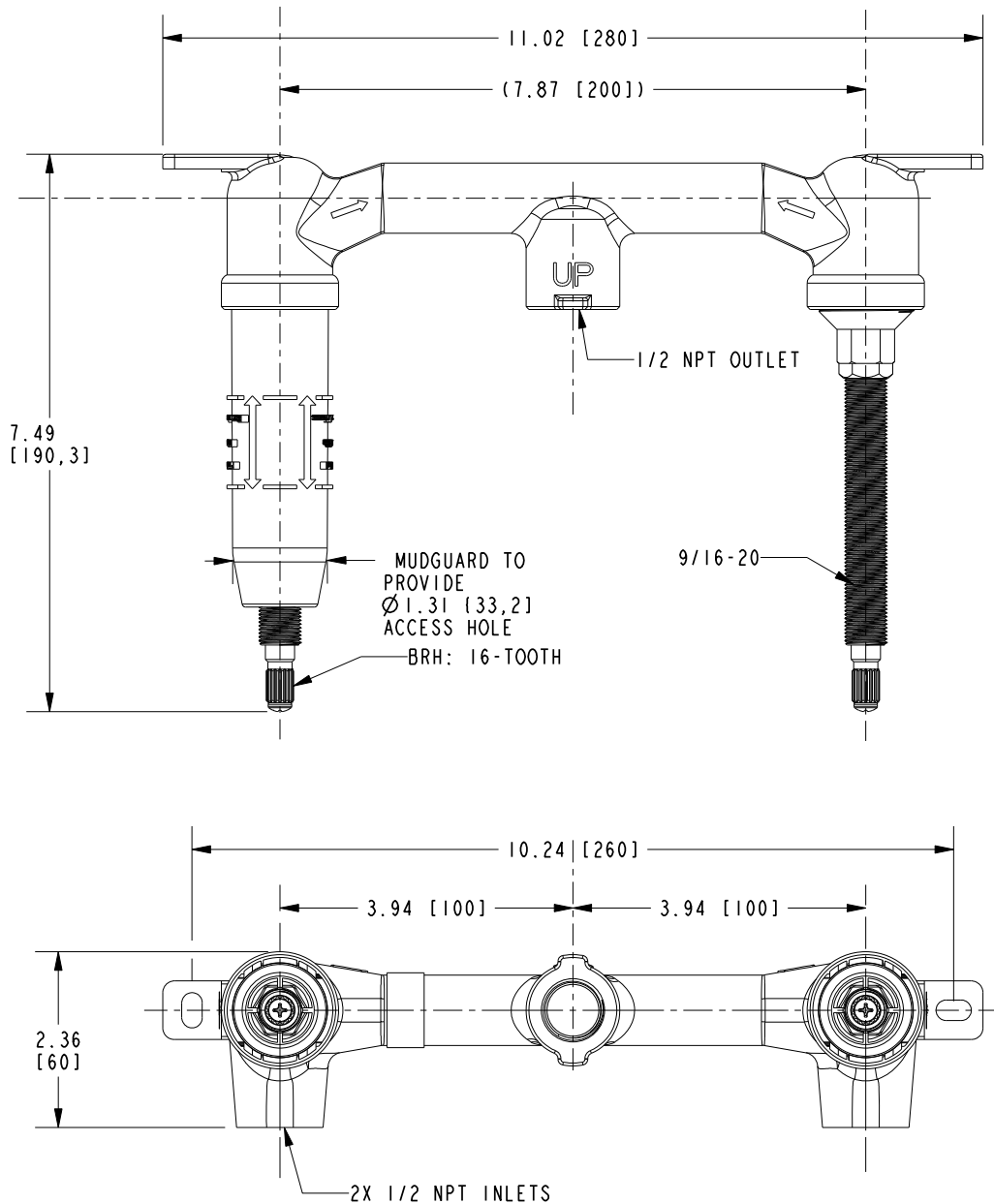
OPTIONAL ACCESSORY

System Element	Stem Extension
Description	Stem Extension Kit
Part Number	1-384
Image	

NEWPORT BRASS

PRODUCT DIMENSIONS *(Units are in inches)*

Product Dimensions are provided for reference only. For specific product installation guidelines, please reference the Installation Instructions of the product being installed.



WALL VALVE ROUGH WITH 1/2" NPT OUTLETS

I-532U