
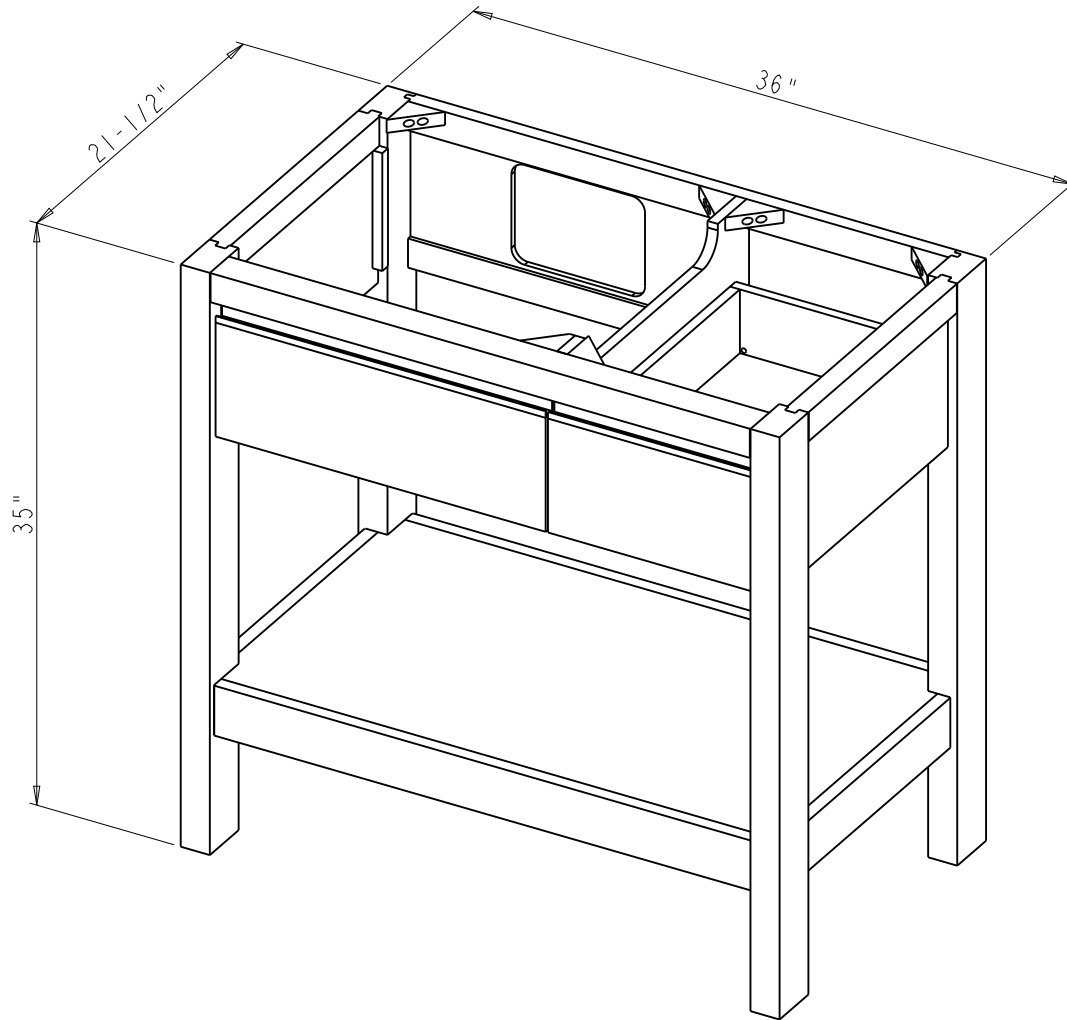



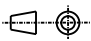
Specification:

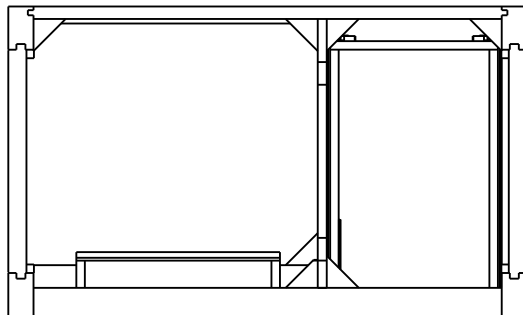
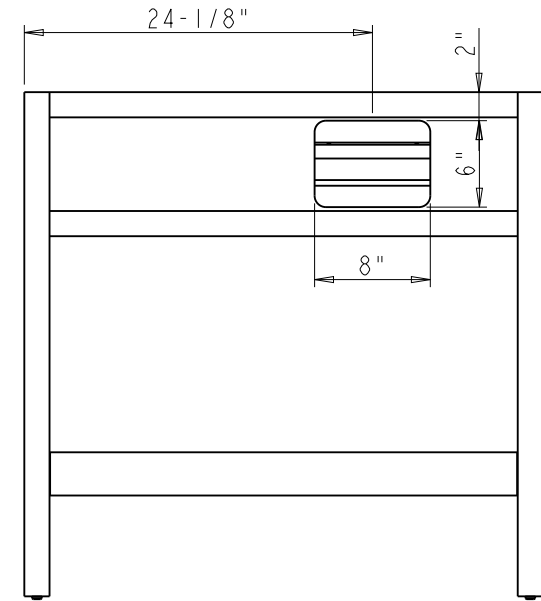
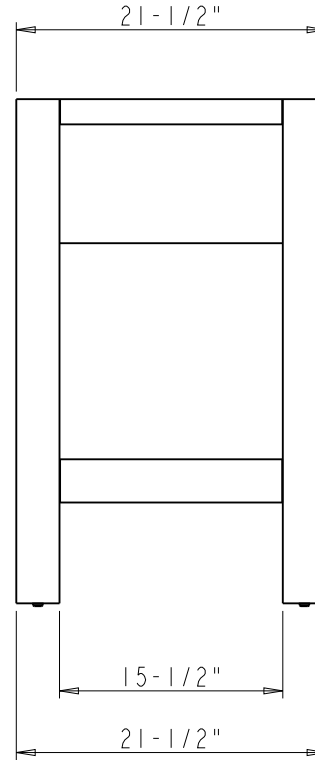
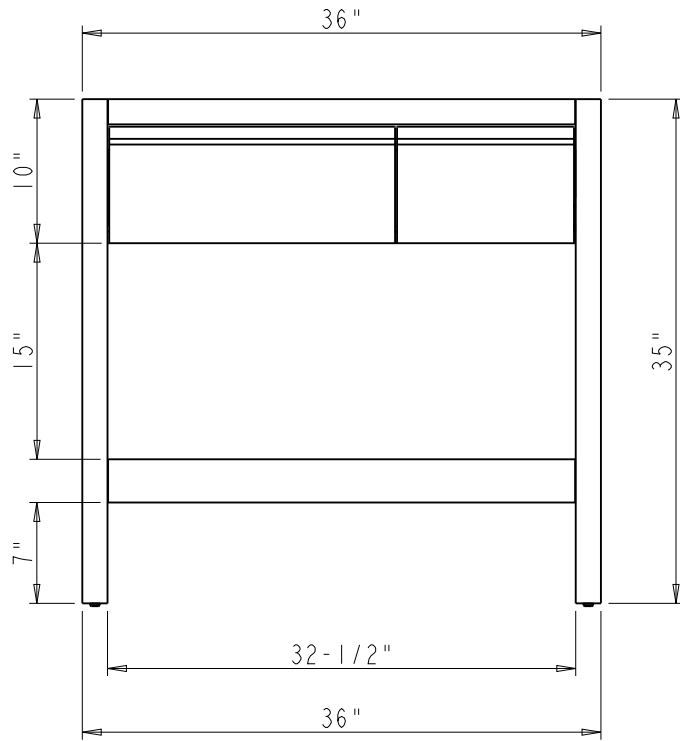
1. Finish: See Table
2. Hardware: See Table
3. Hinge: 700.0535.25 + 600.1234.05 (2 set)
4. Slide: USE58-300-18 + USCLIP2ND-4W (1 set)
5. Lid Stay (1 pcs)
6. The tolerance is +/- 1/8"


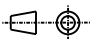
Item number	Finish	Deco Hardware	
		Item number	Qty
VN2JUB-36-DW-NT	Dark Walnut	Gola-style hardware-SBZ	2
VN2JUB-36-GR-NT	Grey	Gola-style hardware-MB	2
VN2JUB-36-NO-NT	Natural Oak	Gola-style hardware-MB	2
VN2JUB-36-WG-NT	Weathered Grey	Gola-style hardware-MB	2
VN2JUB-36-WH-NT	White	Gola-style hardware-MB	2

 PROPRIETARY AND CONFIDENTIAL THE INFORMATION CONTAINED IN THIS DRAWING IS THE SOLE PROPERTY OF HARDWARE RESOURCES INC. ANY REPRODUCTION IN PART OR AS A WHOLE WITHOUT THE WRITTEN PERMISSION OF HARDWARE RESOURCES INC. IS PROHIBITED.	ITEM#: VN2JUB-36	MATERIAL:		
	FINISH:	WEIGHT:	9	
	TOLERANCE UNLESS OTHERWISE SPECIFIED: X ±0.20 X.X ±0.10 X.XX ±0.05 ANGULAR: ±0.5°	UNITS:	DRAWN BY: <i>Hugo.cai</i>	DATE: Jan-15-23
	DO NOT SCALE DRAWING	SIZE:	APPROVED BY:	DATE:
	SHEET:	RELEASE LEVEL:	REVISION:	



 PROPRIETARY AND CONFIDENTIAL THE INFORMATION CONTAINED IN THIS DRAWING IS THE SOLE PROPERTY OF HARDWARE RESOURCES INC. ANY REPRODUCTION IN PART OR AS A WHOLE WITHOUT THE WRITTEN PERMISSION OF HARDWARE RESOURCES INC. IS PROHIBITED.	ITEM#: VN2JUB - 36		MATERIAL:	
	FINISH:		WEIGHT: 9	
	TOLERANCE UNLESS OTHERWISE SPECIFIED: X ±0.20 X.X ±0.10 X.XX ±0.05 ANGULAR: ±0.5° DO NOT SCALE DRAWING		UNITS:	DRAWN BY: <i>Hugo.cai</i>
PROJECTION 		SIZE:	APPROVED BY:	DATE:
		SHEET:	RELEASE LEVEL:	REVISION:



	ITEM#: VN2JUB-36		MATERIAL:		
	FINISH:		WEIGHT:		
<p>PROPRIETARY AND CONFIDENTIAL</p> <p>THE INFORMATION CONTAINED IN THIS DRAWING IS THE SOLE PROPERTY OF HARDWARE RESOURCES INC. ANY REPRODUCTION IN PART OR AS A WHOLE WITHOUT THE WRITTEN PERMISSION OF HARDWARE RESOURCES INC. IS PROHIBITED.</p> <p>DO NOT SCALE DRAWING</p>	UNITS:		DRAWN BY: <i>Hugo.cai</i>		DATE: Jan-15-23
	TOLERANCE UNLESS OTHERWISE SPECIFIED: X ±0.20 X.X ±0.10 X.XX ±0.05 ANGULAR: ±0.5°		SIZE:	APPROVED BY:	DATE:
	SHEET:		RELEASE LEVEL:	REVISION:	
	PROJECTION 				9